



18. Part list

18. Part list

How to use the part list

The key to identify a spare part is the pos. no. of the spare part.

By means of the pos. no., the position of the spare part can be found on the spare parts drawings.

Usually the spare part no. is stated next to the pos. no. If no spare part no. is stated, it may be because the part is not considered a spare part or because the part is not sold as a spare part.

Parts which are not sold individually are contained in spare parts kits.

The spare parts list contains single parts and components, complete main parts, e.g. cylinder liner with suction valve, kit assemblies which is a collection of spare parts, service kits and gasket kits.

Spare parts which are not available as single parts will be contained in complete main parts as sub parts, kit assemblies, service kits and gasket kits.

Example

- Component: Pos 19-1, part number 3112.085, designation: Cylinder liner with suction valve S&L.
Kit assembly: Part number 3184.350, designation: Kit assembly oil pump housing
Service kit: Part number 3188.027, designation: Service kit ring plates
Gasket kit: Part number 3188.009, designation: Gasket kit unloading cylinder

The part list is divided into sections with the main components of the compressor as headlines.

For each main part, e.g. cylinder liner complete, the part no. of the main part is stated first and then the pos. nos. of all single parts contained in the main part.

Then all kits related to the main part - including the pos. nos. of all sub parts contained in these kits - are indicated.

In some cases a kit will be related to several main parts which is why the kit is not indicated until after the relevant main parts.

Example

A ring plate kit contains a discharge valve ring plate pos. 20C, a suction valve ring plate pos. 19F and valve springs. Therefore, the ring plate kit will be indicated after the discharge valve ring plate pos. 20.

SMC/TSMC 100 Mk4 - Spare parts list and tool list

18. Part list

Parts list - 0622-022

Relevant drawings

- SMC 104-106-108: 0662-020
- SMC 108: 0662-030
- SMC 112-116: 0662-040
- TSMC 116: 0662-050
- Common drawings: 0662-060

Table 18.1

Pos	Part no.	Designation	Kit Qty	Compressor						
				SMC					TSMC	
				104	106	108	112	116	108	116
Compressor frame										
1A-1		Frame SMC 104		1						
1A-2		Frame SMC 106			1					
1A-3		Frame SMC 108				1				
1A-4		Frame TSMC 108							1	
1A-5		Frame SMC 112					1			
1A-6		Frame SMC 116						1		
1A-7		Frame TSMC 116								1
1B-1	1226-015	Oil level glass		1	1	1	1	1	1	1
1C-1		O-ring: Included Gasket kit in 3188-111 and 3188-141								
1D-1	1424-148	Hexagon head M6 x 18		4	4	4	4	4	4	4
Top cover - air cooled										
2A-1	3113-263	Top covers S-L-E, SMC 100 Mk 4		1	2	3	6	8	2	7
2A-2	3113-264	Top cover with flange S-L-E SMC 100 Mk 4		1	1	1			2	1
2E-1	1424-083	Hexagon head M14x90		30	46	62	96	128	60	128
2F-1	1424-090	Hexagon head M14x120		2	2	2			4	2
Top cover - water cooled										
2A-1	3113-263	Top covers S-L-E, SMC 100 Mk 4		1	2	3	6	8	2	7
2A-2	3113-264	Top cover with flange S-L-E, SMC 100 Mk 4		1	1	1			2	1
2B-1	3113-260	Water cover for cover with flange, SMC 100 Mk 4		1	1	1			2	1
2B-2	3113-259	Water cover left, SMC 100 Mk 4		1	1	2	3	4	2	4
2B-3	3113-258	Water cover right, SMC 100 Mk 4			1	1	3	4		3
2E-1	1424-083	Hexagon head M14x90		22	34	46	72	96	44	94
2F-1	1424-090	Hexagon head M14x120		2	2	2			4	2
2G-1	1432-066	Nut M14		16	24	32	48	64	32	64
2H-1	2112-161	Staybolt M14 x 138, SMC/HPC 100 Mk 4		8	12	16	24	32	16	32



18. Part list

18 spare parts list + tool list.fm

Pos	Part no.	Designation	Kit Qty	Compressor							
				SMC					TSMC		
				104	106	108	112	116	108	116	
	3184-380	Kit assembly staybolts for top cover		2	3	4	6	8	4	8	
2G-1/2J-1		Nut M14	8								
2H-1		Staybolt M14x138, SMC/HPC 100 Mk4	4								
Side cover - air cooled											
3A-1	3113-148	Side cover - air cooled		2	2	2	4	4	2	4	
3E-1	1424-246	Hexagon head screw M14 x 65		32	32	32	64	64	32	64	
Side cover - water cooled											
3A-2	3113-265	Side cover with cooling fins, SMC 100 Mk 4		2	2	2	4	4	2	4	
3B-1	3113-258	Water cover right, SMC 100 Mk 4		1	1	1	2	2	1	2	
3B-2	3113-259	Water cover left, SMC 100 Mk 4		1	1	1	2	2	1	2	
3F-1	1424-241	Screwe M14x40		24	24	24	48	48	24	48	
3G-1/3J-1	1432-066	Nut M14		8	8	8	16	16	8	16	
	3184-381	Kit assembly staybolts for Side cover		2	2	2	4	4	2	4	
3G-1/3J-1		Nut M14	8								
3H-1		Staybolt M14 x 85, SMC 100/HPC 100 Mk 4	4								
	3188-119	Gasket kit top/side cover SMC 104 Mk4		1							
2C-1 3C-1		Gasket for top and side cover	4								
25AG		Gasket for valve/compr.	1								
	3188-120	Gasket kit top/side cover SMC 106 Mk4			1						
2C-1 3C-1		Gasket for top and side cover	5								
25AG		Gasket for valve/compr.	1								
	3188-121	Gasket kit top/side cover T/SMC 108 Mk4				1			1		
2C-1 3C-1		Gasket for top and side cover	6								
25AB-1		O-ring	1								
25AG		Gasket for valve/compr.	1								
	3188-122	Gasket kit top/side cover SMC 112 Mk4					1				
2C-1 3C-1		Gasket for top and side cover	10								
	3188-123	Gasket kit top/side cover T/SMC 116 Mk4						1		1	

SMC/TSMC 100 Mk4 - Spare parts list and tool list

18. Part list

Pos	Part no.	Designation	Kit Qty	Compressor							
				SMC					TSMC		
				104	106	108	112	116	108	116	
2C-1 3C-1		Gasket for top and side cover	12								
25AG		Gasket for valve/compr.	1								
	3188-124	Gasket kit top/side water covers SMC 104 Mk4		1							
2D-1		O-ring 253.59 x 3.53	1								
2D-2 3D-1		O-ring 266.29 x 3.53	3								
	3188-125	Gasket kit top/side water covers SMC 106 Mk4			1						
2D-1		O-ring 253.59 x 3.53	1								
2D-2 3D-1		O-ring 266.29 x 3.53	4								
	3188-126	Gasket kit top/side water covers SMC 108 Mk4				1					
2D-1		O-ring 253.59 x 3.53	1								
2D-2 3D-1		O-ring 266.29 x 3.53	5								
	3188-127	Gasket kit top/side water covers TSMC 108 Mk4							1		
2D-1		O-ring 253.59 x 3.53	2								
2D-2 3D-1		O-ring 266.29 x 3.53	4								
	3188-128	Gasket kit top/side water covers SMC 112 Mk4					1				
2D-1		O-ring 253.59 x 3.53	10								
	3188-129	Gasket kit top/side water covers SMC 116 Mk4						1			
2D-2 3D-1		O-ring 266.29 x 3.53	12								
	3188-130	Gasket kit top/side water covers TSMC 116 Mk4									1
2D-1		O-ring 253.59 x 3.53	1								
2D-2 3D-1		O-ring 266.29 x 3.53	11								
Oil pump housing											
4A-1	3141-178	House for oil pump T/SMC 100 Mk 4		1	1	1	1	1	1	1	1
	3184-350	Kit assembly oil pump housing		1	1	1	1	1	1	1	1
4		Allen screw M5x10	1								
4C-1		Screw M12 x 40	12								
4F-1		Male stud coupling	1								
4J-1		Screw M5 x 30	4								



18. Part list

18 spare parts list + tool list.fm

Pos	Part no.	Designation	Kit Qty	Compressor							
				SMC					TSMC		
				104	106	108	112	116	108	116	
	3184-351	Kit assembly valves oil pump housing		1	1	1	1	1	1	1	1
4D-1 4E-1 4K-1		Needle valve	3								
4L-1		Check valve 16 bar	1								
	3184-352	Kit assembly		1	1	1	1	1	1	1	1
4H-1		Intermediate bracket	1								
4N-1		Differential pressure control	1								
4P-1		Connector with diode	1								
	3184-353	Kit assembly oil pump counter clockwise rotation		1	1	1	1	1	1	1	1
11A-1		Oil pump counter clockwise rotation	1								
11C-1		Screw M8 x 30	8								
	3188-131	Gasket kit oil pump	1								
	3184-354	Kit assembly oil pump clockwise rotation		1	1	1	1	1	1	1	1
11A-2		Oil pump clockwise rotation	1								
11C-1		Screw M8 x 30	8								
	3188-131	Gasket kit oil pump	1								
	3184-182	Kit assembly plugs oil pump housing		1	1	1	1	1	1	1	1
		Plug with gasket 1/4	4								
		Plug with gasket 1/8	2								
		Plug with gasket 3/8	1								
		Plug with gasket 1/2	1								
	3188-131	Gasket kit oil pump		1	1	1	1	1	1	1	1
4		Gasket 14.5/6 x 1.5	2								
4B-1		Gasket for oil pump housing	1								
4G-1		Gasket for differential pressure control	1								
4M-1		Gasket 27/21	1								
4Q-1		O-ring 82.22 x 2.62 for oil pump house	1								
11B-1		Gasket for oil pump	1								
End cover at pump end											
5A-1	3113-266	Bearing cover		1	1	1	1	1	1	1	1
5B-1	1424-241	Hexagon head screw M14x40		14	14	14	14	14	14	14	14

SMC/TSMC 100 Mk4 - Spare parts list and tool list

18. Part list

Pos	Part no.	Designation	Kit Qty	Compressor						
				SMC					TSMC	
				104	106	108	112	116	108	116
End cover at shaft seal end										
6A-1	3113-124	Bearing cover		1	1	1	1	1	1	1
6B-1	1424-245	Hexagon head screw M14x60		14	14	14	14	14	14	14
6E-1	1436-037	Washer		14	14	14	14	14	14	14
	3188-132	Gasket kit end/bearing cover T/SMC 104-108 Mk4		1	1	1			1	
5D-1		Gasket 0.3 mm	1							
5D-2		Gasket 0.5 mm	1							
5D-3		Gasket 0.75 mm	1							
5D-4		Gasket 1.00 mm	1							
6D-1		Gasket	1							
8B-1		Gasket for cover	1							
	3188-133	Gasket kit end/bearing cover T/SMC 112-116 Mk4		1	1	1			1	
5D-3		Gasket 0.75 mm	1							
5D-4		Gasket 1.00 mm	1							
5D-5		Gasket 1.30 mm	1							
5D-6		Gasket 1.50 mm	1							
5D-7		Gasket 1.75 mm	1							
5D-8		Gasket 2.00 mm	1							
6D-1		Gasket	1							
8B-1		Gasket for cover	1							
49J		Gasket 34/27 x 1.5	2							
	3188-134	Service kit main bearings T/SMC 104-108 Mk4		1	1	1			1	
5C-1 6C-1		Bushing	2							
	3188-132	Gasket kit end/bearing cover T/SMC 104-108 Mk4	1							
	3188-135	Service kit main bearings T/SMC 112-116 Mk4					1	1		1
5C-1 6C-1		Bushing	2							
49E-1		Half section bearing	8							
	3188-133	Gasket kit end/bearing cover T/SMC 112-116 Mk4	1							
	3188-136	Service kit main bearings T/SMC 104-108 Mk4 under-size		1	1	1			1	



18. Part list

18 spare parts list + tool list.fm

Pos	Part no.	Designation	Kit Qty	Compressor							
				SMC					TSMC		
				104	106	108	112	116	108	116	
5C-2 6C-2		Bushing for repair	2								
	3188-132	Gasket kit end/bearing cover T/SMC 104-108 Mk4	1								
	3188-137	Service kit main bearings T/SMC 112-116 Mk4 under-size					1	1		1	
5C-2 6C-2		Bushing for repair	2								
49E-2		Half section bearing for repair	8								
	3188-133	Gasket kit end/bearing cover T/SMC 112-116 Mk4	1								
	3188-385	Kit assembly driving hub for oil pump		1	1	1	1	1	1	1	1
7A-1		Driving hub for oil pump	1								
7B-1		Spring washer	2								
7C-1		Hexagon head screw	2								
Shaft seal											
	3184-355	Kit assembly shaft seal cover		1	1	1	1	1	1	1	1
8A-1		Shaft seal cover	1								
8B-1		Gasket for cover	1								
8C-1		Hexagon head screw M10 x 40	6								
	3184-356	Kit assembly hose connection		1	1	1	1	1	1	1	1
8D-1		Hose connection	1								
8E-1		Hose	1								
	3184-357	Kit assembly shaft seal		1	1	1	1	1	1	1	1
8F-1		Spirolox ring dia. 76	1								
8G-1		Lock spring	1								
8H-1		Groover pin dia. 4 x 20	1								
10A-1		Retaining flange	1								
10B-1		Spring	10								
10H-1		Locking ring	1								
	3188-029	Service kit shaft seal		1	1	1	1	1	1	1	1
10D-1		O-ring	1								
10E-1		Slide ring, steel	1								
10F-1		Slide ring, carbon	1								
10G-1		O-ring	1								

SMC/TSMC 100 Mk4 - Spare parts list and tool list

18. Part list

Pos	Part no.	Designation	Kit Qty	Compressor						
				SMC					TSMC	
				104	106	108	112	116	108	116
10J-1		Hexagon head screw M5 x 16	4							
8B-1		Gasket for cover	1							
Oil filter										
9B-1	2311-075	Nipple		1	1	1	1	1	1	1
	3188-111	Service kit oil change		1	1	1	1	1	1	1
1C-1		O-ring	1							
2C-1		Gasket for top and side cover	1							
9A-1	1517-153	Oil filter	1							
Unloading cylinder										
	3135-149	Unloading cylinder complete L=75 S=21.5		1	1	1	2	2		1
12A-1		Unloading cylinder	1							
12B-1		Piston	1							
12C-1		Pistin rod 75 mm	1							
12D-1		Threaded plug	1							
12E-1		Gasket	1							
12F-1		Seeger ring	1							
12G-1		Spring guide	1							
12H-1		Spring retainer	1							
12J-1		Spring outer	1							
12J-2		Spring inner	1							
12K-1		Benzing ring dia. 9 mm	1							
12K-2		Benzing ring dia. 7 mm	1							
	3135-150	Unloading cylinder complete L=100 S=46.5		1	1	1	2	2	1	1
12A-1		Unloading cylinder	1							
12B-1		Piston	1							
12C-2		Pistin rod 100 mm	1							
12D-1		Threaded plug	1							
12E-1		Gasket	1							
12F-1		Seeger ring	1							
12G-1		Spring guide	1							
12H-1		Spring retainer	1							

18. Part list



18 spare parts list + tool list.fm

Pos	Part no.	Designation	Kit Qty	Compressor							
				SMC				TSMC			
				104	106	108	112	116	108	116	
12J-1		Spring outer	1								
12J-2		Spring inner	1								
12K-1		Benzing ring dia. 9 mm	1								
12K-2		Benzing ring dia. 7 mm	1								
	3135-151	Unloading cylinder complete L=125 S=71.5			1	1	2	2	1	2	
12A-1		Unloading cylinder	1								
12B-1		Piston	1								
12C-3		Pistin rod 125 mm	1								
12D-1		Threaded plug	1								
12E-1		Gasket	1								
12F-1		Seeger ring	1								
12G-1		Spring guide	1								
12H-1		Spring retainer	1								
12J-1		Spring outer	1								
12J-2		Spring inner	1								
12K-1		Benzing ring dia. 9 mm	1								
12K-2		Benzing ring dia. 7 mm	1								
	3135-152	Unloading cylinder complete L=150 S=96.5				1		2	1	2	
12A-1		Unloading cylinder	1								
12B-1		Piston	1								
12C-4		Pistin rod 150 mm	1								
12D-1		Threaded plug	1								
12E-1		Gasket	1								
12F-1		Seeger ring	1								
12G-1		Spring guide	1								
12H-1		Spring retainer	1								
12J-1		Spring outer	1								
12J-2		Spring inner	1								
12K-1		Benzing ring dia. 9 mm	1								
12K-2		Benzing ring dia. 7 mm	1								
	3135-161	Unloading cylinder complete HP L=82 S=24.5							1	1	

SMC/TSMC 100 Mk4 - Spare parts list and tool list

18. Part list

Pos	Part no.	Designation	Kit Qty	Compressor							
				SMC					TSMC		
				104	106	108	112	116	108	116	
12A-2		Unloading cylinder HP	1								
12B-1		Piston	1								
12C-5		Pistin rod 80 mm	1								
12D-1		Threaded plug	1								
12E-1		Gasket	1								
12G-1		Spring guide	1								
12J-1		Spring outer	1								
12J-2		Spring inner	1								
12K-1		Benzing ring dia. 9 mm	1								
12M-1		Cover	1								
12N-1		Gasket	1								
12P-1		Lock nut	1								
12Q-1		Socket cap screw	6								
12R-1		O-ring 12.37 x 2.62	1								
	3135-154	Unloading cylinder complete HP L=107									1
12A-2		Unloading cylinder HP	1								
12B-1		Piston	1								
12C-6		Pistin rod 107 mm	1								
12D-1		Threaded plug	1								
12E-1		Gasket	1								
12G-1		Spring guide	1								
12J-1		Spring outer	1								
12J-2		Spring inner	1								
12K-1		Benzing ring dia. 9 mm	1								
12M-1		Cover	1								
12N-1		Gasket	1								
12P-1		Lock nut	1								
12Q-1		Socket cap screw	6								
12R-1		O-ring 12.37 x 2.62	1								
	3188-009	Gasket kit unloader cylinder		2	3	4	6	8	4	8	
12E-1		Gasket 25/17 x 1.5	1								



18. Part list

18 spare parts list + tool list.fm

Pos	Part no.	Designation	Kit Qty	Compressor								
				SMC					TSMC			
				104	106	108	112	116	108	116		
12N-1		Gasket for cover (TSMC HP only)	1									
12R-1		O-ring (TSMC HP only)	1									
12S-1		Gasket 100 x 100 x 2	1									
12L-1	1424-192	Hexagon head screw M10 x 30		8	12	16	24	32	16	32		
Frame for unloading												
	3184-216	Frame complete		2	3	4	6	8	4	8		
13A-1		Suspension rod	1									
13B-1		Suspension rod	1									
13C-1		Cross piece	1									
13D-1		Cross piece	1									
13E-1		Countersunk screw	4									
	3188-034	Service kit unloading frame		2	3	4	6	8	4	8		
12K-1		Benzing ring dia. 9mm	1									
12K-2		Benzing ring dia. 7mm	1									
12P-1		Lock nut (TSMC HP only)	1									
15C-1		Spring retainer	4									
15D-1		Spring	4									
15E-1		Washer for bearing cup	8									
	3188-009	Gasket kit unloading cylinder	1									
Bracket for unloading mechanism												
	3184-358	Kit assembly bracket for unloading mechanism		2	3	4	6	8	4	8		
14A-1		Bracket with pin	2									
14B-1		Spacing ring	4									
14C-1		Hexagon head screw M6 x 30	4									
14D-1		Spring washer	4									
Rocker for unloading mechanism												
	3184-359	Kit assembly rocker for unloading mechanism LP		2	3	4	6	8	3	6		
15A-1		Rocker	4									
15B-1		Bearing for SMC and TSMC LP	4									
	3184-360	Kit assembly rocker for unloading mechanism HP							1	2		
15A-1		Rocker	4									

SMC/TSMC 100 Mk4 - Spare parts list and tool list

18. Part list

Pos	Part no.	Designation	Kit Qty	Compressor						
				SMC				TSMC		
				104	106	108	112	116	108	116
15B-2		Bearing for TSMC HP	4							
Crankshaft - all without certificate										
16A-1	3121-258	Crankshaft SMC 104S Mk 4 complete		1						
16A-2	3121-262	Crankshaft SMC 106S Mk 4 complete			1					
16A-3	3121-266	Crankshaft SMC 108S Mk 4 complete				1			1	
16A-4	3121-277	Crankshaft SMC 104L Mk 4 complete		1						
16A-5	3121-280	Crankshaft SMC 106L Mk 4 complete			1					
16A-6	3121-283	Crankshaft SMC 108L Mk 4 complete				1			1	
16A-7	3121-270	Crankshaft SMC 112S Mk 4 complete					1			
16A-8	3121-274	Crankshaft SMC 116S Mk 4 complete						1		1
16A-9	3121-286	Crankshaft SMC 112L Mk 4 complete					1			
16A-10	3121-289	Crankshaft SMC 116L Mk 4 complete						1		1
16A-11	3121-243	Crankshaft SMC 104E Mk 4 complete		1						
16A-12	3121-246	Crankshaft SMC 106E Mk 4 complete			1					
16A-13	3121-249	Crankshaft SMC 108E Mk 4 complete				1			1	
16A-14	3121-252	Crankshaft SMC 112E Mk 4 complete					1			
16A-15	3121-255	Crankshaft SMC 116E Mk 4 complete						1		1
16F-1	1413-260	Plug M12 S-type		1	1	1	4	4	1	4
16F-2	1343-141	Plug 1/4" L-type		3	3	3	4	5	3	5
Connecting rod										
17	3123-004	Connecting rod, complete		4	6	8	12	16	6	12
17A-1		Half -section of bearing	2							
17B-1		Bushing for piston pin	1							
17C-1		Bolt for connecting rod	2							
17D-1		Lock nut	2							
17	3123-006	Connecting rod, complete							2	4
17A-1		Half -section of bearing	2							
17B-2		Needle roller bearing	1							
17C-1		Bolt for connecting rod	2							
17D-1		Lock nut	2							
Piston										



18. Part list

18 spare parts list + tool list.fm

Pos	Part no.	Designation	Kit Qty	Compressor							
				SMC					TSMC		
				104	106	108	112	116	108	116	
18-1	3124-002	Piston with pin and rings S		4	6	8	12	16	8	16	
18A-1		Piston pin	1								
18B-1		Piston ring	2								
18C-1		Oil scraper ring	1								
18D-1		Seeger ring dia. 40	2								
18-2	3124-052	Piston with pin and rings L		4	6	8	12	16	8	16	
18A-1		Piston pin	1								
18B-1		Piston ring	2								
18C-1		Oil scraper ring	1								
18D-1		Seeger ring dia. 40	2								
18-3	3124-065	Piston with pin and rings E		4	6	8	12	16	8	16	
18A-1		Piston pin	1								
18B-1		Piston ring	2								
18C-1		Oil scraper ring	1								
18D-1		Seeger ring dia. 40	2								
	3188-028	Service kit pair of piston rings		2	3	4	6	8	4	8	
18B-1		Piston ring	4								
18C-1		Oil scraper ring	2								
	3188-090	Service kit half section bearings		2	3	4	6	8	4	8	
17A-1		Half -section of bearing	4								
17D-1		Lock nut	4								
	3188-089	Service kit Piston pins LP		2	3	4	6	8	3	6	
17B-1		Bushing for piston pin	2								
17C-1		Bolt for connecting rod	4								
18A-1		Piston pin	2								
18D-1		Seeger ring dia. 40	4								
	3188-030	Service kit pair of connecting rod bearings LP		2	3	4	6	8	3	6	
	3188-090	Service kit half section bearings	1								
	3188-089	Service kit Piston pins LP	1								
	3188-097	Service kit piston pin HP							2	2	
17B-2		Needle roller bearing	1								

SMC/TSMC 100 Mk4 - Spare parts list and tool list

18. Part list

Pos	Part no.	Designation	Kit Qty	Compressor						
				SMC					TSMC	
				104	106	108	112	116	108	116
17C-1		Bolt for connecting rod	2							
18A-1		Piston pin	1							
18D-1		Seeger ring dia. 40	2							
	3188-031	Service kit pair of connecting rod bearings HP							2	4
17A-1		Half -section of bearing	2							
17D-1		Lock nut	2							
	3188-097	Service kit piston pin HP	1							
Cylinder liner										
19-1	3112-085	Cylinder liner with suction valve S&L, LP, R717		4	6	8	12	16	6	12
19A-1		Cylinder liner S & L	1							
19B-1		Unloading ring with pins S & L	1							
19C-1		Washer dia. 8/4.3 x 0.5	6							
19D-1		Spring for unloading ring	6							
19E-1		Tension spring	1							
19F-1		Ring plate	1							
19G-1		Valve spring	6							
19H-1	3132-083	Suction valve retaining plate R717	1							
19J-1	3134-008	Guide ring for discharge valve	1							
19N-1	1413-343	Socket cap screw M6 x 30	6							
19T-1		Gasket	1							
19-2	3112-086	Cylinder liner with suction valve S&L, LP, HFC		4	6	8	12	16	6	12
19A-1		Cylinder liner S & L	1							
19B-1		Unloading ring with pins S & L	1							
19C-1		Washer dia. 8/4.3 x 0.5	6							
19D-1		Spring for unloading ring	6							
19E-1		Tension spring	1							
19F-1		Ring plate	1							
19G-1		Valve spring	6							
19H-2	3132-095	Suction valve retaining plate HFC	1							
19J-1	3134-008	Guide ring for discharge valve	1							
19N-1	1413-343	Socket cap screw M6 x 30	6							



18. Part list

18 spare parts list + tool list.fm

Pos	Part no.	Designation	Kit Qty	Compressor						
				SMC			TSMC			
				104	106	108	112	116	108	116
19T-1		Gasket	1							
19-3	3112-087	Cylinder liner with suction valve S&L, HP, R717							2	4
19A-1		Cylinder liner S & L	1							
19B-1		Unloading ring with pins S & L	1							
19C-1		Washer dia. 8/4.3 x 0.5	6							
19D-1		Spring for unloading ring	6							
19E-1		Tension spring	1							
19F-1		Ring plate	1							
19G-1		Valve spring	6							
19H-1	3132-083	Suction valve retaining plate R717	1							
19J-1	3134-008	Guide ring for discharge valve	1							
19M-1		O-ring 107.55 x 3.53	1							
19N-1	1413-343	Socket cap screw M6 x 30	6							
19T-1		Gasket	1							
19-4	3112-088	Cylinder liner with suction valve S&L, HP HFC							2	4
19A-1		Cylinder liner S & L	1							
19B-1		Unloading ring with pins S & L	1							
19C-1		Washer dia. 8/4.3 x 0.5	6							
19D-1		Spring for unloading ring	6							
19E-1		Tension spring	1							
19F-1		Ring plate	1							
19G-1		Valve spring	6							
19H-2	3132-095	Suction valve retaining plate HFC	1							
19J-1	3134-008	Guide ring for discharge valve	1							
19M-1		O-ring 107.55 x 3.53	1							
19N-1	1413-343	Socket cap screw M6 x 30	6							
19T-1		Gasket	1							
19-5	3112-081	Cylinder liner with suction valve E, LP, R717							2	4
19A-2		Cylinder liner E	1							
19B-2		Unloading ring with pins E	1							
19C-1		Washer dia. 8/4.3 x 0.5	6							

SMC/TSMC 100 Mk4 - Spare parts list and tool list

18. Part list

Pos	Part no.	Designation	Kit Qty	Compressor							
				SMC					TSMC		
				104	106	108	112	116	108	116	
19D-1		Spring for unloading ring	6								
19E-1		Tension spring	1								
19F-1		Ring plate	1								
19G-1		Valve spring	6								
19H-1	3132-083	Suction valve retaining plate R717	1								
19J-1	3134-008	Guide ring for discharge valve	1								
19N-1	1413-343	Socket cap screw M6 x 30	6								
19T-1		Gasket	1								
19-6	3112-097	Cylinder liner with suction valve E, HP, R717							2	4	
19A-2		Cylinder liner E	1								
19B-2		Unloading ring with pins E	1								
19C-1		Washer dia. 8/4.3 x 0.5	6								
19D-1		Spring for unloading ring	6								
19E-1		Tension spring	1								
19F-1		Ring plate	1								
19G-1		Valve spring	6								
19H-1	3132-083	Suction valve retaining plate R717	1								
19J-1	3134-008	Guide ring for discharge valve	1								
19M-1		O-ring 107.55 x 3.53	1								
19N-1	1413-343	Socket cap screw M6 x 30	6								
19T-1		Gasket	1								
	3184-361	Kit assembly springs for unloading ring		2	3	4	6	8	4	8	
19C-1		Washer dia. 8/4.3 x 0.5	12								
19D-1		Spring for unloading ring	12								
19E-1		Tesion spring	2								
	3188-039	Service kit pair of unloading rings SMC 100 S/L		2	3	4	6	8	4	8	
19B-1		Unloading ring with pins S & L	2								
	3188-010	Gasket kit pair of cylinder liners SMC 100	1								
	3184-361	Kit assembly springs for unloading ring	1								
	3188-040	Service kit pair of unloading rings SMC 100 E		2	3	4	6	8	4	8	
19B-2		Unloading ring with pins E	2								



18. Part list

18 spare parts list + tool list.fm

Pos	Part no.	Designation	Kit Qty	Compressor								
				SMC					TSMC			
				104	106	108	112	116	108	116		
	3188-010	Gasket kit pair of cylinder liners SMC 100	1									
	3184-361	Kit assembly springs for unloading ring	1									
Discharge valve												
20-1	3136-090	Discharge valve HP, R717		4	6	8	12	16	2	4		
20A-1	3133-028	Discharge valve seat	1									
20B-1		Retaining plate	1									
20C-1		Ring plate	1									
20E-1	1433-005	Nut	1									
20G-1		Valve spring	8									
20-2	3136-091	Discharge valve LP, R717		4	8	8	12	16	6	12		
20A-1	3133-028	Discharge valve seat	1									
20B-2		plate	1									
20C-1		Ring plate	1									
20E-1	1433-005	Nut	1									
20G-2		Valve spring	6									
20-3	3136-092	Discharge valve HP, HFC		4	6	8	12	16	2	4		
20A-1	3133-028	Discharge valve seat	1									
20B-3		Retaining plate	1									
20C-1		Ring plate	1									
20E-1	1433-005	Nut	1									
20G-3		Valve spring	12									
20-4	3136-093	Discharge valve LP, HFC		4	6	8	12	16	6	12		
20A-1	3133-028	Discharge valve seat	1									
20B-4		Retaining plate	1									
20C-1		Ring plate	1									
20E-1	1433-005	Nut	1									
20G-4		Valve spring	6									
20-5	3136-094	Discharge valve VHP, HFC		4	6	8	12	16				
20A-1	3133-028	Discharge valve seat	1									
20B-5		Retaining plate	1									
20C-1		Ring plate	1									

SMC/TSMC 100 Mk4 - Spare parts list and tool list

18. Part list

Pos	Part no.	Designation	Kit Qty	Compressor							
				SMC					TSMC		
				104	106	108	112	116	108	116	
20E-1	1433-005	Nut	1								
20G-5		Valve spring	16								
	3188-010	Gasket kit pair of cylinder liners SMC 100		2	3	4	6	8	4	8	
19K-1		Gasket for cylinder liner - 0.5mm	2								
19K-2		Gasket for cylinder liner - 0.8mm	2								
19M-1		O-ring 107.55x3.53 (TSMC HP only)	2								
19T-1		Gasket dia. 163/141 x 0.2mm	2								
	3188-027	Service kit ring plates		2	3	4	6	8	4	8	
19F-1		Ring plate	2								
19G-1		Valve spring	12								
20C-1		Ring plate	2								
20G-1		Valve spring	24								
	3188-010	Gasket kit pair of cylinder liners SMC 100	1								
	3188-098	Kit assembly valve springs									
19G-1 20G-1		Valve spring	20								
Note: for service of compressors equipped with discharge vales of type 3136.094 extra set of 3188-098 must be ordered				2	3	4	5	7	4		
21A-1	2142-063	Spring for safety head S & L		4	6	8	12	16	8	16	
21A-2	2142-064	Spring for safety head E		4	6	8	12	16	8	16	
Oil pressure valve											
	3184-362	Kit assembly oil pressure valve		1	1	1	1	1	1	1	
22A-1		Oil pressure valve	1								
22B-1		Gasket	1								
22C-1		Hexagon head screw M12 x 35	2								
22B-1		Gasket included in Gasket kit 3188-141									
Oil charging valve											
	3184-363	Kit assenbly oil charging valve		1	1	1	1	1	1	1	
23A-1	2412-585	Oil charging valve	1								
23B-1		Threaded reduction nipple	1								
23C-1		Socket	1								



18. Part list

18 spare parts list + tool list.fm

Pos	Part no.	Designation	Kit Qty	Compressor								
				SMC					TSMC			
				104	106	108	112	116	108	116		
23D-1		Gasket	1									
23E-1		Nut	1									
23F-1		Gasket	1									
23G-1		Male stud coupling	1									
23H-1		Gasket	1									
23J-1		Bend	1									
	3188-138	Gasket kit oil charging valve		1	1	1	1	1	1	1	1	1
23D-1		Gasket 19/14	1									
23F-1		Gasket 18/10	1									
23H-1		Gasket 34/27	1									
23		Packing gland	1									
By-pass valve												
24-1	3137-033	By-pass valve dia. 20 - 22 bar								1		
24-2	3137-010	By-pass valve dia. 20 - 24 bar								1		
24-3	3137-046	By-pass valve dia. 28 - 14 bar								1	2	
24-4	3137-007	By-pass valve dia. 28 - 22 bar		1	1	1	1	1			1	
24-5	3137-009	By-pass valve dia. 28 - 24 bar		1	1	1	1	1			1	
	3188-020	Gasket kit by pass valve ø 20								1		
24B-1		O-ring 44.0 X 3.53	1									
24C-1		O-ring 56.74 X 3.53	1									
	3188-019	Gasket kit by pass valve ø 28		1	1	1	1	1	1	1	3	
24B-2		O-ring for cylinder *)	1									
24C-2		O-ring 66.27 X 3.53	2									
24D-1	1424-168	Skrue M8x25 Kv.8.8										
24E-1	1437-023	Washer DIN 127-										
24F-2	2469-002	Intermediate piece										
Stop valves												
25-1	2414-073	Complete stop valve DN 50								1		
25-2	2414-069	Complete stop valve DN 65		1	1	1				1	1	
25-3	2414-070	Complete stop valve DN 100		1	1	1	1	1	1	1	1	
25-4	2414-048	Complete stop valve DN 125					1	1			1	

SMC/TSMC 100 Mk4 - Spare parts list and tool list

18. Part list

Pos	Part no.	Designation	Kit Qty	Compressor						
				SMC				TSMC		
				104	106	108	112	116	108	116
25AV-1	2333-053	Intermediate flange					1	1		1
	3184-364	Kit assembly welding nipple 65/65		1	1	1			1	1
25AC-1		Counter flange 65	1							
25AD-1		Welding nipple dia. 65	1							
25AK-1		Screw for counter flange M10x40	6							
	3184-365	Kit assembly welding nipple 100/65		1						
25AC-2		Counter flange 100	1							
25AD-2		Welding nipple dia. 65	1							
25AK-2		Screw for counter flange M12x50	6							
	3184-366	Kit assembly welding nipple 100/80		1	1	1			1	
25AC-2		Counter flange 100	1							
25AD-3		Welding nipple dia. 65	1							
25AK-2		Screw for counter flange M12x50	6							
	3184-367	Kit assembly welding nipple 100/100			1	1	1	1	1	1
25AC-2		Counter flange 100	1							
25AD-4		Welding nipple dia. 100	1							
25AK-2		Screw for counter flange M12x50	6							
	3184-368	Kit assembly welding nipple 125/125					1	1		1
25AC-3		Counter flange 125	1							
25AD-5		Welding nipple dia 125	1							
25AK-3		Screw for counter flange M16x65	6							
25AF-1	2314-065	Threaded plug 3/4		1	1	1	1	1	1	1
	3184-369	Kit assembly stop valve 50/65		1	1	1			1	1
25AJ-1		Screw bonnet/valve M10 x 25	8							
25C-1		Front part for cone	1							
25D-1		Rear part for cone	1							
25E-1		Screw for valve cone	1							
25G-1		Threaded connection	1							
25K-1		Spindle	1							
25L-1		Lock washer for spindle	1							
25N-1		Guide pin	1							



18. Part list

18 spare parts list + tool list.fm

Pos	Part no.	Designation	Kit Qty	Compressor							
				SMC					TSMC		
				104	106	108	112	116	108	116	
	3184-370	Kit assembly stop valve 100		1	1	1	1	1	1	1	1
25AJ-2		Screw bonnet/valve M 12 x 30	8								
25C-3		Front part for cone	1								
25D-3		Rear part for cone	1								
25E-2		Screw for valve cone	1								
25G-2		Threaded connection	1								
25K-2		Spindle	1								
25L-2		Lock washer for spindle	1								
25N-1		Guide pin	1								
	3184-371	Kit assembly stop valve 125					1	1			1
25AJ-3		Screw bonnet/valve M16 x 60	6								
25C-3		Front part for cone	1								
25D-3		Rear part for cone	1								
25E-2		Screw for valve cone	1								
25G-3		Threaded connection	1								
25K-3		Spindle	1								
25L-2		Lock washer for spindle	1								
25N-2		Guide screw	1								
	3184-372	Kit assembly hand wheel 120		1	1	1				2	1
25S-1		Hand wheel dia. 120	1								
25T-1		Skrue M5x10 Kv.8.8	1								
25U-1		Washer for hand wheel	1								
	3184-373	Kit assembly hand wheel 180		1	1	1	2	2	1	2	
25S-4		Hand wheel dia. 180	1								
25T-4		Screw for hand wheel M8 x 16	1								
25U-4		Washer for hand wheel	1								
	3188-015	Gasket kit stop valve 50-65		1	1	1				2	1
25F-1		Gasket for screw dia. 31/24 x 1.5	1								
25H-1		Sealing ring dia. 62/45 x 3	1								
25J-1		Gasket for bonnet dia. 72.39 x 5.33	1								
25M-1		Packing gland	1								

SMC/TSMC 100 Mk4 - Spare parts list and tool list

18. Part list

Pos	Part no.	Designation	Kit Qty	Compressor							
				SMC					TSMC		
				104	106	108	112	116	108	116	
25P-1		O-ring 21.82 x 3.53	1								
25Q-1		Nylon washer dia. 39.5/28 x 1.5	1								
25Y-1		Gasket for welding nipple	1								
25AG-1		Gasket for valve/compr.	1								
25AH-1		Gasket for plug	1								
	3188-016	Gasket kit stop valve 100		1	1	1	1	1	1	1	
25F-2		Gasket for screw dia. 36/28 x 1.5	1								
25H-2		Sealing ring dia. 110/90 x 3	1								
25J-2		Gasket for bonnet dia. 116.84 x 7	1								
25M-2		Packing gland	1								
25P-2		O-ring 28.17 X 3.53	1								
25Q-2		Nylon washer dia. 48/34 x 1.5	1								
25Y-2		Gasket for welding nipple	1								
25AG-2		Gasket for valve/compr.	1								
25AH-1		Gasket for plug	1								
	3188-018	Gasket kit stop valve 125					1	1		1	
25F-2		Gasket for screw dia. 36/28 x 1.5	1								
25H-3		Sealing ring dia. 133/110x3.0	1								
25J-3		Gasket for bonnet dia. 167.5 x 148.5 x 2.0	1								
25M-2		Packing gland	1								
25P-2		O-ring 28.17 X 3.53	1								
25Q-2		Nylon washer dia. 48/34 x 1.5	1								
25Y-3		Gasket for welding nipple	1								
25AG-3		Gasket for valve/compr.	1								
25AH-1		Gasket for plug	1								
25V-1	1437-023	Spring washer									1
25Z-1	1424-241	Screw valve/compr. M14 x 40		4	4	4			4		
25Z-2	1424-242	Screw valve/compr M 14 x 45		4	4	4			4	4	
25Z-3	1424-102	Screw valve/compr M16 x 45		4	4	4	4	4	4	4	
25Z-4	1424-268	Screw valve/compr. M16 x 100					6	6		6	



18. Part list

18 spare parts list + tool list.fm

Pos	Part no.	Designation	Kit Qty	Compressor						
				SMC					TSMC	
				104	106	108	112	116	108	116
Pressure gauges										
30A-1	1541-108	R717		1	1	1	1	1	1	1
30A-2	1541-068	R407C and R507		1	1	1	1	1	1	1
30A-3	1541-074	R22, R134a and R404A		1	1	1	1	1	1	1
30A-4	1541-136	R410A and R744		1	1	1	1	1	1	1
Dicsharge pressure gauge										
31A-1	1541-029	R717		1	1	1	1	1	1	1
31A-2	1541-069	R407C and R507		1	1	1	1	1	1	1
31A-3	1541-075	R22, R134a and R404A		1	1	1	1	1	1	1
31A-4	1541-137	R410A and R744		1	1	1	1	1	1	1
31A-5	1541-101	R717							1	1
31A-6	1541-077	R407C and R507							1	1
31A-7	1541-076	R22, R134a and R404A							1	1
31C-1	1412-350	Screws for gauges M4 x 20		6	6	6	6	6	6	6
	3188-021	Gasket kit pressure gauges		1	1	1	1	1	1	1
30B-1		Nozzle and gasket dia. 14/0.8 x 1.5	1							
30C-1		Gasket dia. 11/4 x 1.5	1							
31B-1		Nozzle and gasket dia. 14/0.8 x 1.5	2							
Oil suction filter										
	3184-374	Kit assembly oil suction filter		1	1	1	1	1	1	1
33A-1		Oil suction filter	1							
33B-1		Male stud coupling	1							
33C-1		Oil pipe suction	1							
33D-1		Flange connector, el-bow, 22 mm pipe (CR-mat)	1							
Suction filter										
	3188-035	Service kit suction filter		2	2	2			1	
34A-1		Suction filter open, complete	1							
	3188-011	Gasket kit suction filter	1							
	3188-036	Service kit suction filter							1	
34A-2		Suction filter closed, complete	1							
	3188-012	Gasket kit suction filter	1							

SMC/TSMC 100 Mk4 - Spare parts list and tool list

18. Part list

Pos	Part no.	Designation	Kit Qty	Compressor						
				SMC				TSMC		
				104	106	108	112	116	108	116
	3188-037	Service kit suction filter					2	2		1
34A-1		Suction filter open, complete	1							
	3188-013	Gasket kit suction filter	1							
	3188-038	Service kit suction filter								1
34A-2		Suction filter closed, complete	1							
	3188-014	Gasket kit suction filter	1							
	3188-011	Gasket kit suction filter		1	1	1				
34D-1		O-ring 75.57 X 5.33	2							
34F-1		O-ring 91.67 X 3.53	2							
	3188-012	Gasket kit suction filter							1	
34D-1		O-ring 75.57 X 5.33	3							
34F-1		O-ring 91.67 X 3.53	1							
	3188-013	Gasket kit suction filter					1	1		
34D-1		O-ring 104.1 x5,33	2							
34F-1		O-ring 120.24 X 3.53	2							
	3188-014	Gasket kit suction filter								1
34D-1		O-ring 104.1 x5,33	3							
34F-1		O-ring 120.24 X 3.53	1							
34B-1	3425-083	Filter bag		2	2	2			2	
34B-2	3425-096	Filter bag					2	2		2
34C-1	3424-058	Insert for filter bag		2	2	2			2	
34C-2	3424-061	Insert for filter bag					2	2		2
34E-1	3422-103	Cover for suction filter		2	2	2			1	
34E-2	3422-114	Cover for suction filter					2	2		1
34G-1	1424-217	Hexagon head screw M12x40		8	8	8			4	
34G-2	1424-102	Hexagon head screw M16x45					8	8		4
34H-1	1437-027	Spring washer		8	8	8			4	
34H-2	1437-026	Spring washer					8	8		4
Discharge pipe oil system										
38A-1	3141-176	Discharge pipe oil system		1	1	1	1	1	1	1
38C-1	2333-024	Connection for discharge pipe		1			1			



18. Part list

18 spare parts list + tool list.fm

Pos	Part no.	Designation	Kit Qty	Compressor							
				SMC				TSMC			
				104	106	108	112	116	108	116	
38C-2	2333-025	Connection for discharge pipe			1						
38C-3	2333-026	Connection for discharge pipe				1		1	1	1	
38H-1	3141-114	Discharge for oil pipe					1	1			1
38J-1	2213-150	Support for oil pipe					1	1			1
38K-1	1424-189	Hexagon head screw M10 x 16					2	2			2
38L-1	1437-027	Spring washer					2	2			2
	3188-139	Gasket kit discharge pipe oil system		1	1	1	1	1	1	1	1
38M-1		O-ring 21.82 x 3.53	1								
38D-1		O-ring 21.82 x 3.53	1								
38E-1		O-ring 29.51 x 5.33	1								
38F-1		O-ring 21.82 x 3.53	1								
38G-1		O-ring 26.58 x 3.53	1								
Analogous control and safety equipment											
39A-1	3146-042	Gauge panel		1	1	1	1	1	1	1	1
39B-1	1413-382	Socket cap screw M10 x 60		2	2	2	2	2	2	2	2
39C-1	2213-142	Console		1	1	1	1	1	1	1	1
39D-1	2213-143	Bar for controls (4 controls)		1	1	1	1	1			1
39D-2	2213-144	Bar for controls (5 controls)		1	1	1	1	1	1	1	1
39D-3	2213-145	Bar for controls (6 controls)		1	1	1	1	1	1	1	1
39D-4	2213-154	Bar for controls (7 controls)		1	1	1	1	1	1	1	1
39D-5	2213-368	Bar for controls (US, SMC)		1	1	1	1	1			1
39D-6	2213-369	Bar for controls (US, TSMC)								1	
39J-1	1413-330	Socket cap screw M5x10		4	4	4	4	4	4	4	4
39K-1	1437-021	Spring washer dia. 9/5		4	4	4	4	4	4	4	4
Cooling water											
40A-1	3185-230	Set of hoses for cooling water SMC104		1							
40A-2	3185-231	Set of hoses for cooling water SMC106			1						
40A-3	3185-232	Set of hoses for cooling water SMC/TSMC108				1				1	
40A-4	3185-235	Set of hoses for cooling water SMC/TSMC108 side cover only				1				1	
40A-9	3185-233	Set of hoses for cooling water SMC112					1				
40A-11	3185-246	Set of hoses for cooling water SMC112 side cover only					1				

SMC/TSMC 100 Mk4 - Spare parts list and tool list

18. Part list

Pos	Part no.	Designation	Kit Qty	Compressor						
				SMC					TSMC	
				104	106	108	112	116	108	116
40A-10	3185-234	Set of hoses for cooling water SMC/TSMC116						1		1
40A-8	3185-236	Set of hoses for cooling water SMC/TSMC116 side cover only						1		1
Purge valve										
42A-1	2412-585	Purge valve		1	1	1	1	1	2	2
42B-1	1349-078	Threaded nipple		1	1	1	1	1	1	1
42C-1	1349-062	Male stud coupling		1	1	1	1	1	1	2
42E-1	2313-045	Nut		1	1	1	1	1	2	2
42F-1	2334-027	Connecting pipe with collar		1	1	1	1	1	2	2
42G-1		Gasket: Included in Gasket kit 3188.141		2	2	2	2	2	4	4
42H-1	2313-027	Nut		1	1	1	1	1	2	2
Pressure and temperature controls										
Pressure controls for R717										
45A-1	1373-125	KP 5A		1	1	1	1	1	1	1
45B-1	1373-142	KP15A		1	1	1	1	1	1	1
45C-1	1373-162	MP 55A		1	1	1	1	1	1	1
45	1373-113	KP 1A		1	1	1	1	1	1	1
45	1373-132	KP7ABS		1	1	1	1	1	2	2
Pressure controls HFC										
45D-1	1373-123	KP 5		1	1	1	1	1	1	1
45E-1	1373-135	KP 15		1	1	1	1	1	1	1
45F-1	1373-159	MP 55		1	1	1	1	1	1	1
45	1373-103	KP 1		1	1	1	1	1	1	1
45	1373-132	KP7ABS		1	1	1	1	1	2	2
Temperature controls										
45	1373-043	KP 98		1	1	1	1	1	1	1
45	1373-044	KP 77		1	1	1	1	1	1	1
45J-1	1377-171	Phail pocket for temperature controls		1	1	1	1	1	1	1
45K-1		Gasket: Included in Gasket kit 3188.141		1	1	1	1	1	1	1
Coupling AMR 312S										
48F-1	1524-159	Compressor hub for coupling AMR 312		1	1	1			1	
	1524-152	Spare part set AMR 312S		1	1	1			1	



18. Part list

18 spare parts list + tool list.fm

Pos	Part no.	Designation	Kit Qty	Compressor							
				SMC				TSMC			
				104	106	108	112	116	108	116	
48A-1		Disc pack	2								
48B-1		Bolt	16								
48C-1		Bevel washer	8								
48D-1		Lock nut	16								
48E-1		Washer	16								
Coupling AMR 350S											
48F-2	1524-160	Compressor hub for coupling AMR 350					1	1			1
	1524-153	Spare part set AMR 350S					1	1			1
48A-2		Disc pack	2								
48B-2		Bolt	16								
48C-2		Bevel washer	8								
48D-2		Lock nut	16								
48E-2		Washer	16								
Intermediate bearing											
49-1	3113-146	Intermediate bearing complete					1	1			1
49A-1		Housing					1	1			1
49B-1	1413-389	Socket cap screw M12x45					4	4			4
49C-1	1437-081	Spring washer					4	4			4
49D-1	1446-022	Guide pin 5x26					2	2			2
49F-1	1424-199	Hexagan head screw M10x65					2	2			2
49G-1	1437-033	Spring washer					2	2			2
49H-1	2314-027	Threaded plug 3/4" BSP					2	2			2
Capacity regulation											
50A-1	3143-383	Valve body with 1 solenoid valve		1							
50A-2	3143-384	Valve body with 2 solenoid valves			1		2				
50A-3	3143-385	Valve body with 3 solenoid valves				1		2	1	1	
50A-4	3143-386	Valve body with 4 solenoid valves									1
50B-1	1372-537	Coil 10W 220/230V - 50/60Hz		1	2	3	4	6	3	7	
50B-2	1372-538	Coil 10W 110V - 50/60Hz		1	2	3	4	6	3	7	
50B-3	1372-539	Coil 10W 240V - 50Hz		1	2	3	4	6	3	7	
50C-1	1372-424	Service Kit for one solonoid valve									

SMC/TSMC 100 Mk4 - Spare parts list and tool list

18. Part list

Pos	Part no.	Designation	Kit Qty	Compressor						
				SMC				TSMC		
				104	106	108	112	116	108	116
Crankcase heater 1 1/4 BSP										
	3184-375	Kit assembly crankcase heater - 270W, 115V		1	1	1	2	2	1	2
57A-1		Heater	1							
57B-1		Sealing ring	1							
	3184-376	Kit assembly crankcase heater - 270W, 230V		1	1	1	2	2	1	2
57A-1		Heater	1							
57B-1		Sealing ring	1							
	3184-377	Kit assembly crankcase heater - 270W, 250V		1	1	1	2	2	1	2
57A-1		Heater	1							
57B-1		Sealing ring	1							
57B-1		Sealing ring: Included in Gasket kit 3188.141								
Oil return										
80A-1	1372-179	Valve block EVRB								
80B-1	1371-037	3.3 mm orifice for mounting in valve block								
80C-1	1375-094	TLT valve		1	1	1	1	1	1	1
80J-1	1372-537	Coil 10W 220/230V - 50/60Hz								
80J-2	1372-538	Coil 10W 110V - 50/60Hz								
80J-3	1372-539	Coil 10W 240V - 50Hz								
80J-4	1372-541	Coil 10W 24V - 50Hz								
	1372-089	Strainer kit EVRB block		1	1	1	1	1	1	1
80E		Strainer								
80G		Gasket								
	1372-086	Service kit EVRB block		1	1	1	1	1	1	1
80P		Armature tube								
80H		Armature								
80K		O-ring								
80M		O-ring								
80L		Gasket								
	1372-091	Seal kit EVRB block		1	1	1	1	1	1	1
80G		Gasket								



18. Part list

18 spare parts list + tool list.fm

Pos	Part no.	Designation	Kit Qty	Compressor							
				SMC			TSMC				
				104	106	108	112	116	108	116	
80K		O-ring									
80M		O-ring									
80L		Gasket									
80Q		Gasket									
	1371-037	Orifice kit 3.3 mm		1	1	1	1	1	1	1	1
80L		Gasket									
80Q		Gasket									
80I		Orifice 3.3 mm									
Intermediate pressure connections TSMC 108											
90A-1	3114-095	Mixing chamber with flange TSMC108								1	
90B-1	3115-102	Counter flange for mixing chamber TSMC108								1	
90C-1	3422-100	Intermediate ring 107/88								1	
90F-1	1424-222	Hexagon head screw M12 x 65								4	
90G-1	1424-246	Hexagon head screw M14 x 65								4	
90H-1	1437-026	Spring washer dia.13.2/21.2 x 2.5								4	
90J-1	1437-030	Spring washer dia. 14								4	
90K-1	1432-066	Nut M14								4	
Intermediate pressure connections TSMC 116											
90A-1	3114-070	Mixing chamber with flange TSMC116									1
90B-1	2331-051	Counter flange for mixing chamber TSMC116									1
90C-1	3422-111	Intermediate ring 148/116									1
90F-1	1424-108	Hexagon head screw M16 x 75									4
90G-1	1424-104	Hexagon head screw M16 x 55									4
90H-1 90J-1	1437-027	Spring washer									8
	3188-023	Gasket kit intermediate connection TSMC 108								1	
90D-1		O-ring 82.14 X 3.53	1								
90E-1		O-ring 98.02 X 3.53	1								
90L-1		O-ring 91.67 X 3.53	1								
90N-1		Gasket 18/10x1.5	1								
90M-1		O-ring 91.67 X 3.53	1								
	3188-024	Gasket kit intermediate connection TSMC 108									1

SMC/TSMC 100 Mk4 - Spare parts list and tool list

18. Part list

Pos	Part no.	Designation	Kit Qty	Compressor						
				SMC					TSMC	
				104	106	108	112	116	108	116
90D-1		O-ring 113.89 x 3.53	1							
90E-1		O-ring 120.24 X 3.53	1							
90L-1		O-ring 132.94 x 3.53	1							
90N-1		Gasket 18/10x1.5	1							
Oil cooling										
		Oil cooler HFC								
92-1	4242-038	Oil cooler OOKH HFC		1	1	1	1	1	1	1
		Oil cooler R717								
92-2	4242-029	Oil cooler OOSI R717		1	1	1	1	1	1	1
	3184-378	Kit assembly oil cooling type HFC/R717		1	1	1	1	1	1	1
92A-1		Adapter for oil cooler	1							
92C-1		Cyl skrue M6x40 kv.12.9 DIN912	4							
92F-1		Gevind nippel	1							
92H-1		Prop med rand 1/4"RG	1							
92L-1		Plug 3/8	1							
	3188-140	Gasket kit oil cooling		1	1	1	1	1	1	1
92B-1		O-ring 25.07 x 2.62	1							
92D-1		Gasket ø25/17	1							
92E-1		Gasket ø32/27	1							
92G-1		Gasket ø27/21	1							
92J-1		Gasket ø20/13	1							
92K-1		O-ring 21.82 x 3.53	1							
92	1371-301	Expansion valve TX 2		1	1	1	1	1	1	1
92	1371-339	Nozzle no.01 for T2/TE2 valve		1	1	1	1	1	1	1
92	1371-026	Expansion valve TN 2		1	1	1	1	1	1	1
92	1371-340	Nozzle no.02 for T2/TE2 valve		1	1	1	1	1	1	1
92	1371-027	Expansion valve TS 2		1	1	1	1	1	1	1
92	1371-340	Nozzle no.02 for T2/TE2 valve		1	1	1	1	1	1	1
92	1371-085	Expansion valve TU-A		1	1	1	1	1	1	1
92	1371-366	Nozzle no.04 for TUA valve		1	1	1	1	1	1	1
92	1371-027	Expansion valve TS 2		1	1	1	1	1	1	1



18. Part list

18 spare parts list + tool list.fm

Pos	Part no.	Designation	Kit Qty	Compressor							
				SMC					TSMC		
				104	106	108	112	116	108	116	
92	1371-366	Nozzle no.04 for TUA valve		1	1	1	1	1	1	1	1
92	1371-230	Expansion valve TEA20-2 w. nozzle		1	1	1	1	1	1	1	1
Thermo pump											
98A-1	3113-145	Side cover for thermo pump		1	1	1	2	2	1	1	
98B-1	1553-215	Control box for thermo pump		1	1	1	2	2	1	1	
98D-1	1372-179	Valve block EVRB		1	1	1	2	2	1	1	
98	1371-037	3.3 mm orifice for mounting in valve block									
98C-1	3185-038	Level feeler - complete for SMC		2	2	2	4	4	2	2	
98G-1	1372-422	Solenoid valve 2/2 EVRA 1.5		1	1	1	2	2	1	1	
98H-1	1372-423	Solenoid valve 2/2 EVRA 3.5		1	1	1	2	2	1	1	
98J-1	1372-537	Coil 10W 220/230V - 50/60Hz									
98J-2	1372-538	Coil 10W 110V - 50/60Hz									
98J-3	1372-539	Coil 10W 240V - 50Hz									
98K-1	1364-008	Check valve		2	2	2	4	4	2	2	
98M-1	2314-103	VA-joint		3	4	5	7	9	1	3	
98Q-1	3113-143	Cooling cover		1	1	1	2	2	1	1	
98R-1		Gasket for top- and side cover		2	2	2	4	4	2	2	
98S-1	1424-081	Hexagon head screw M14 x 80		16	16	16	32	32	16	16	
98T-1	4242-029	Oil cooler type OOSI for R717		1	1	1	1	1	0	1	
98U-1	1372-422	Solenoid valve 2/2 EVRA 1.5		1	1	1	0	0	0	1	
98V-1	1372-422	Solenoid valve 2/2 EVRA 1.5		1	1	1	2	2	1	1	
98X-1	1373-253	PT 100 sensor		1	1	1	1	1	1	1	
98Y-1	2412-277	Stop valve		1	1	1	2	2	1	1	
98Z-1	1364-022	Non return valve		1	1	1	2	2	1	1	
Pulley											
999	1526-073	Clamping unit		1	1	1	1	1	1	1	
999	2152-151	Pulley DP 400, 4 Grooves, SPB		1	1	1	1	1	1	1	
999	2152-152	Pulley DP 400, 6 Grooves, SPB		1	1	1	1	1	1	1	
999	2152-153	Pulley DP 400, 8 Grooves, SPB		1	1	1	1	1	1	1	
UNISAB											
	3184-379	Kit assembly support for UNISAB		1	1	1	1	1	1	1	

SMC/TSMC 100 Mk4 - Spare parts list and tool list

18. Part list

Pos	Part no.	Designation	Kit Qty	Compressor						
				SMC				TSMC		
				104	106	108	112	116	108	116
99A-1		Support for UNISAB	1							
99B-1		Distance washers	4							
99C-1		Hexagon head M10 x 20	2							
99D-1		Hexagon head M6 x 20	4							
99F-1		Washer	4							
	3084-394	Normal spare parts set								
		Set of accessories - UNISAB II								
		EPROM tongs								
		EEPROM tongs								
		EEPROM (2kB-serial) - To be used in version Eprom 1.10 and earlier versions.								
		EEPROM (4kB-serial) - To be used in version Eprom 1.12 and later versions.								
	3084-383	Certificate set								
	3084-394	Normal spare parts set								
	1573-007	Front cover with sheet and display, Sabroe logo								
	1572-026	CPU print (rev. C)								
	1574-016	Relay print (rev. G)								
	1373-249	Pressure transducer dia.10 AKS32R-1-9 bar 1)								
	1373-271	Pressure transducer dia.10 AKS2050-1-25 bar								
	1373-251	Pressure transducer dia.10 AKS32R-1-59 bar 2)								
	3449-542	Pt100 sensor kit, 4-conductor (1/2" thread) 3)								
Notes:	1) Not used for HPO/HPC compressors 2) Only used for HPO/HPC compressors 3) With 1/2" / 1/4" nipple, cutting ring and instruction									

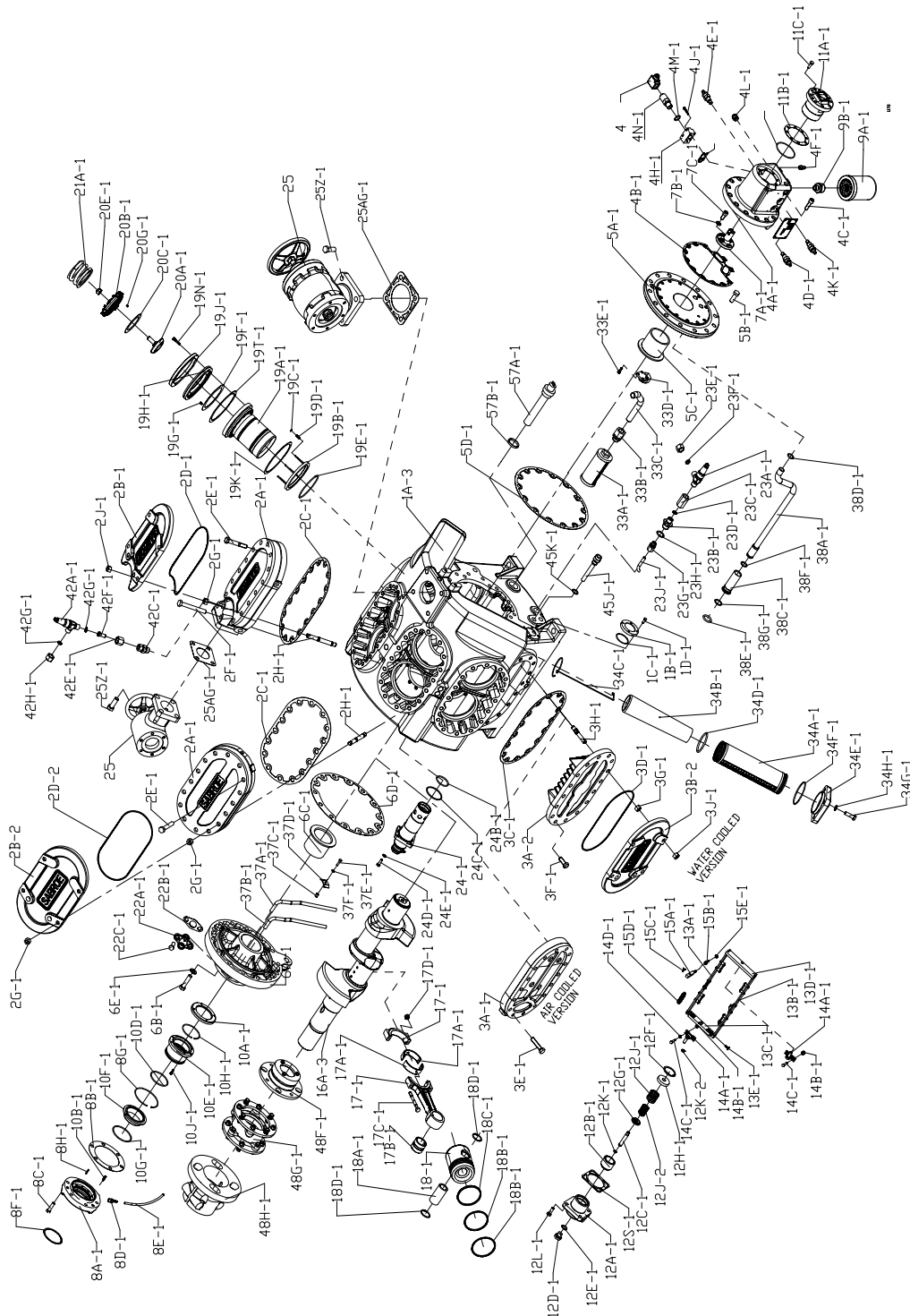


19. Drawings

SMC 104-106-108

Drawing no. 0662-020

19 spare parts drawings.fm



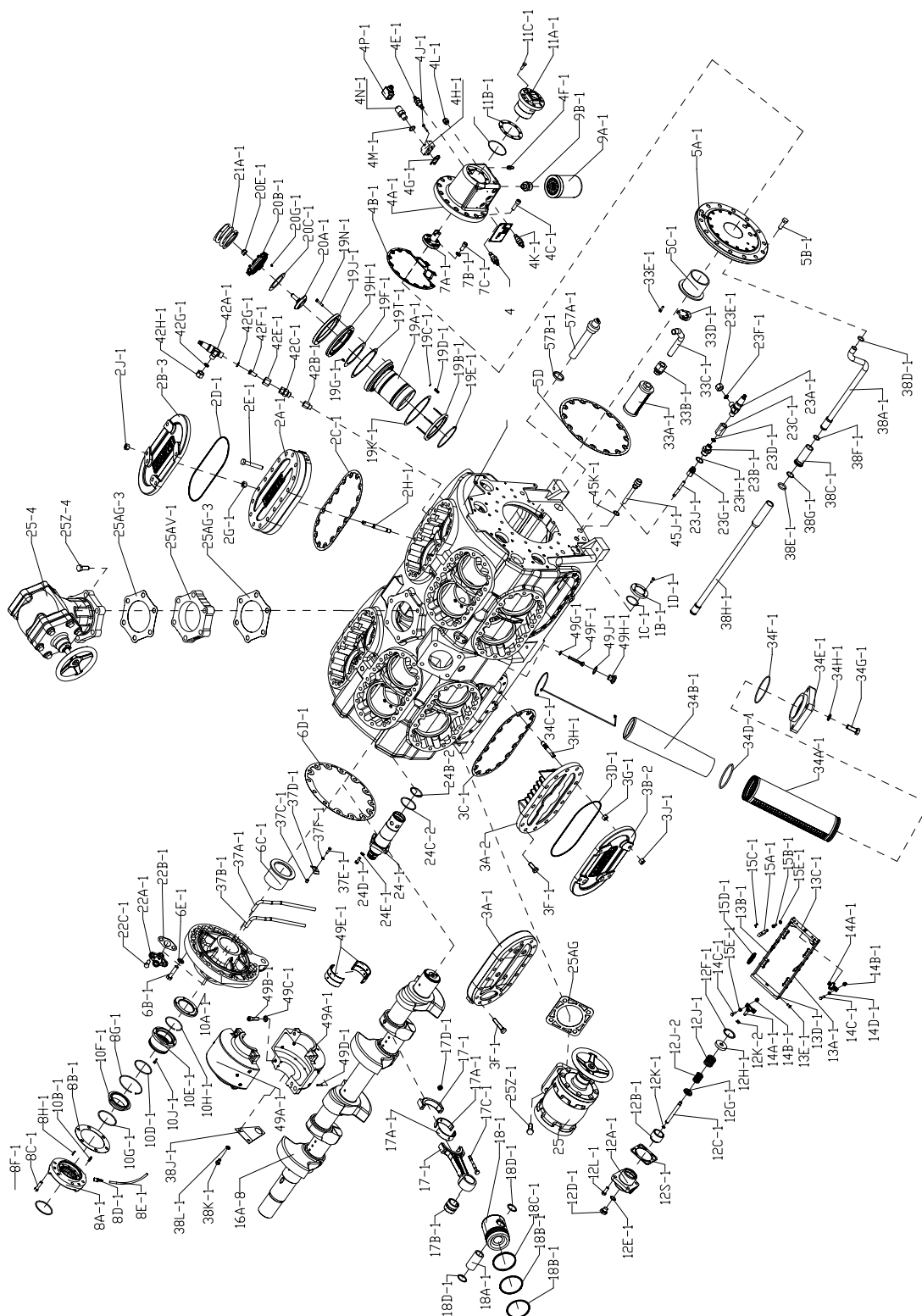
19. Drawings



SMC 112-116

Drawing no. 0662-040

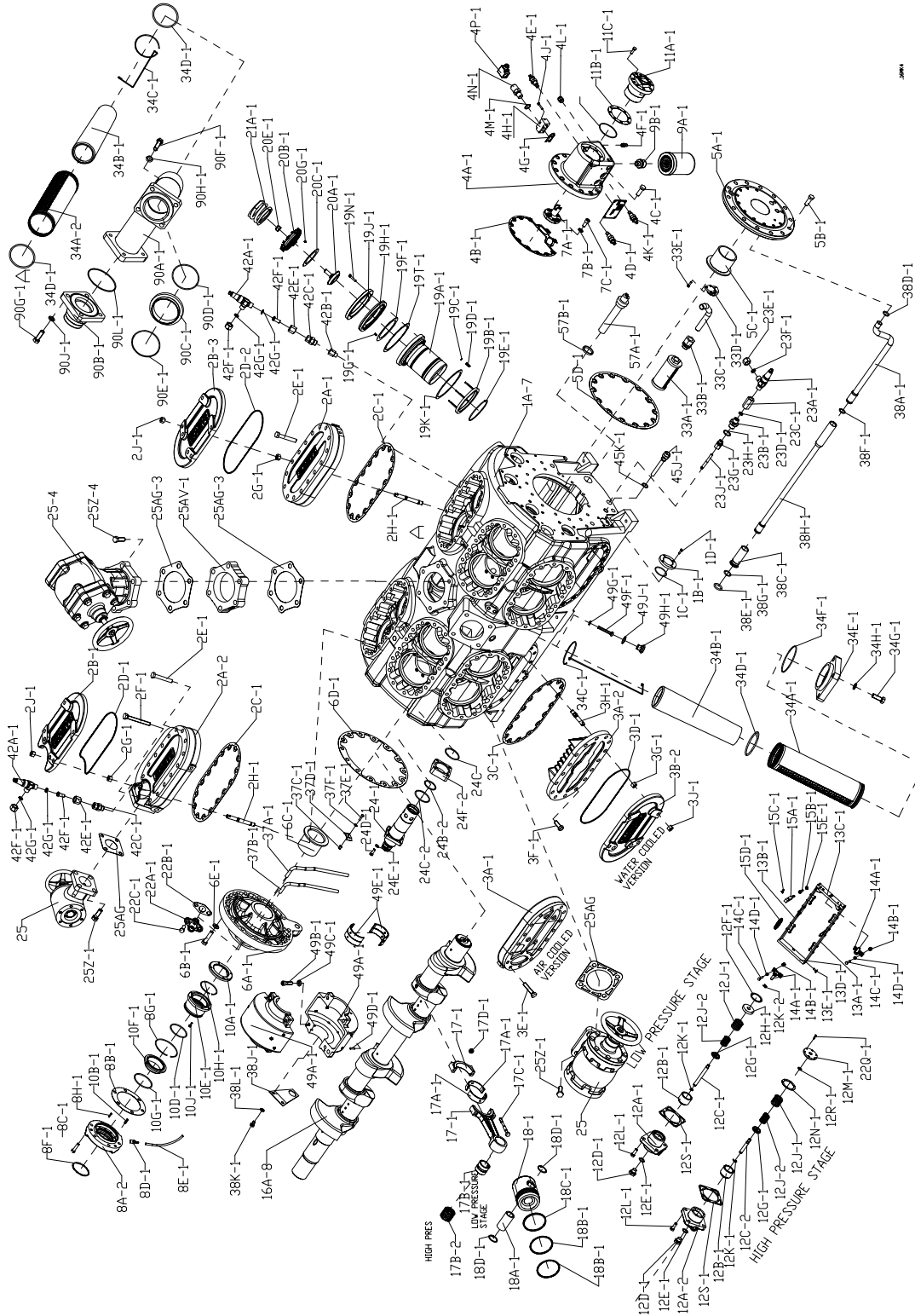
19 spare parts drawings.fm



19. Drawings

TSMC 116

Drawing no. 0662-050



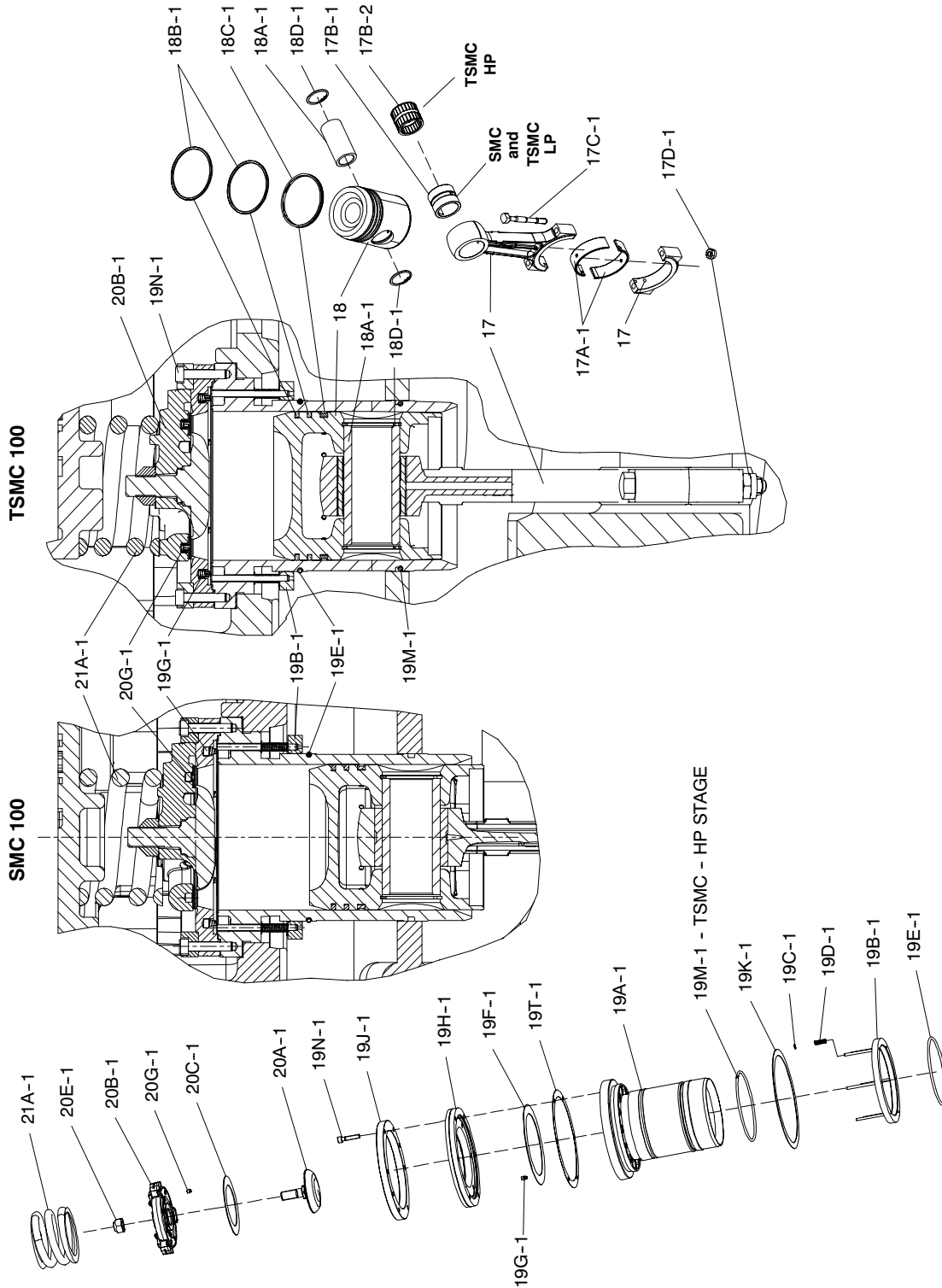
19. Drawings



Piston, cylinder liner and connecting rod

Drawing no. 0662-060

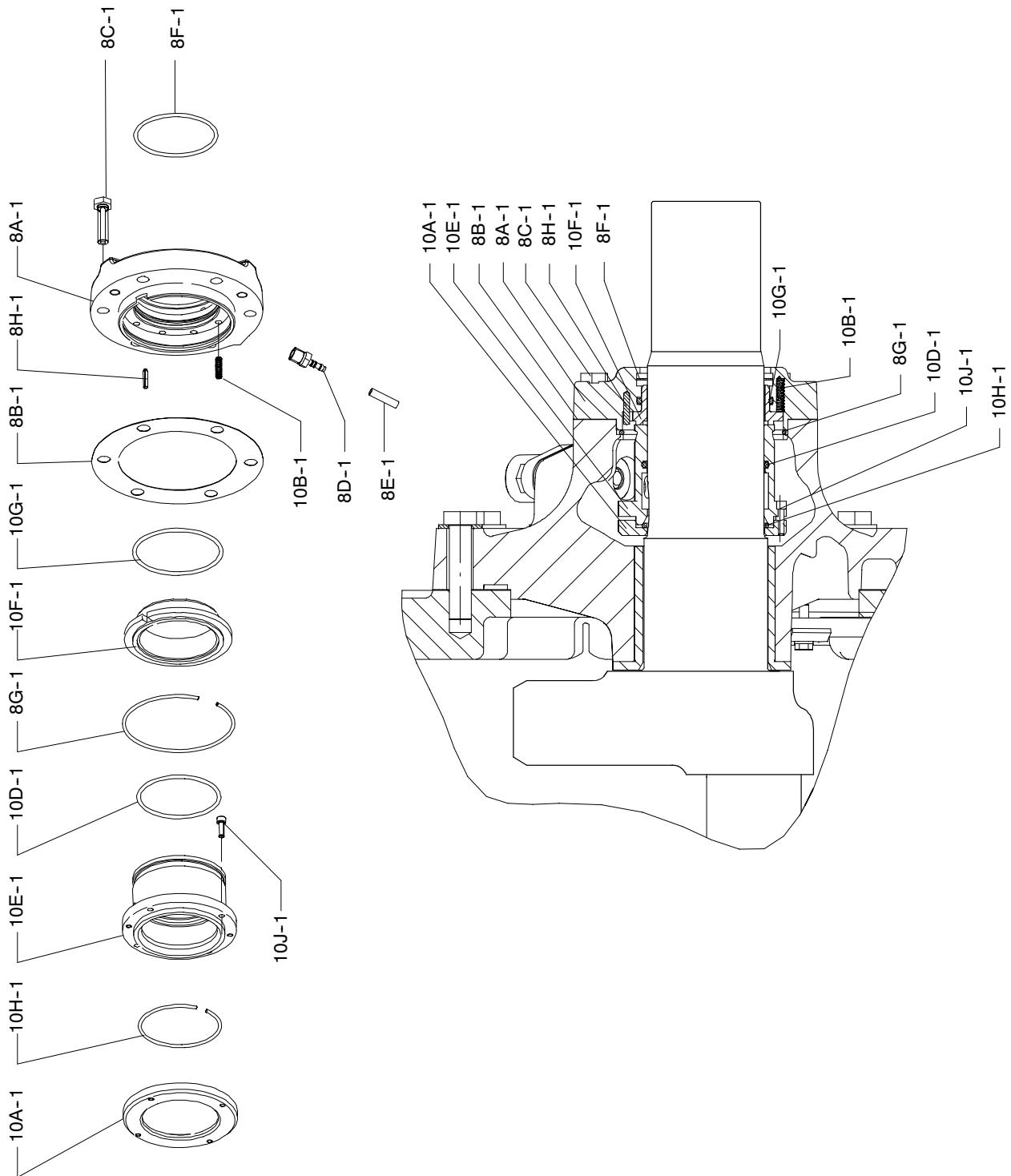
19 spare parts drawings.fm



19. Drawings

Shaft seal

Drawing no. 0662-060



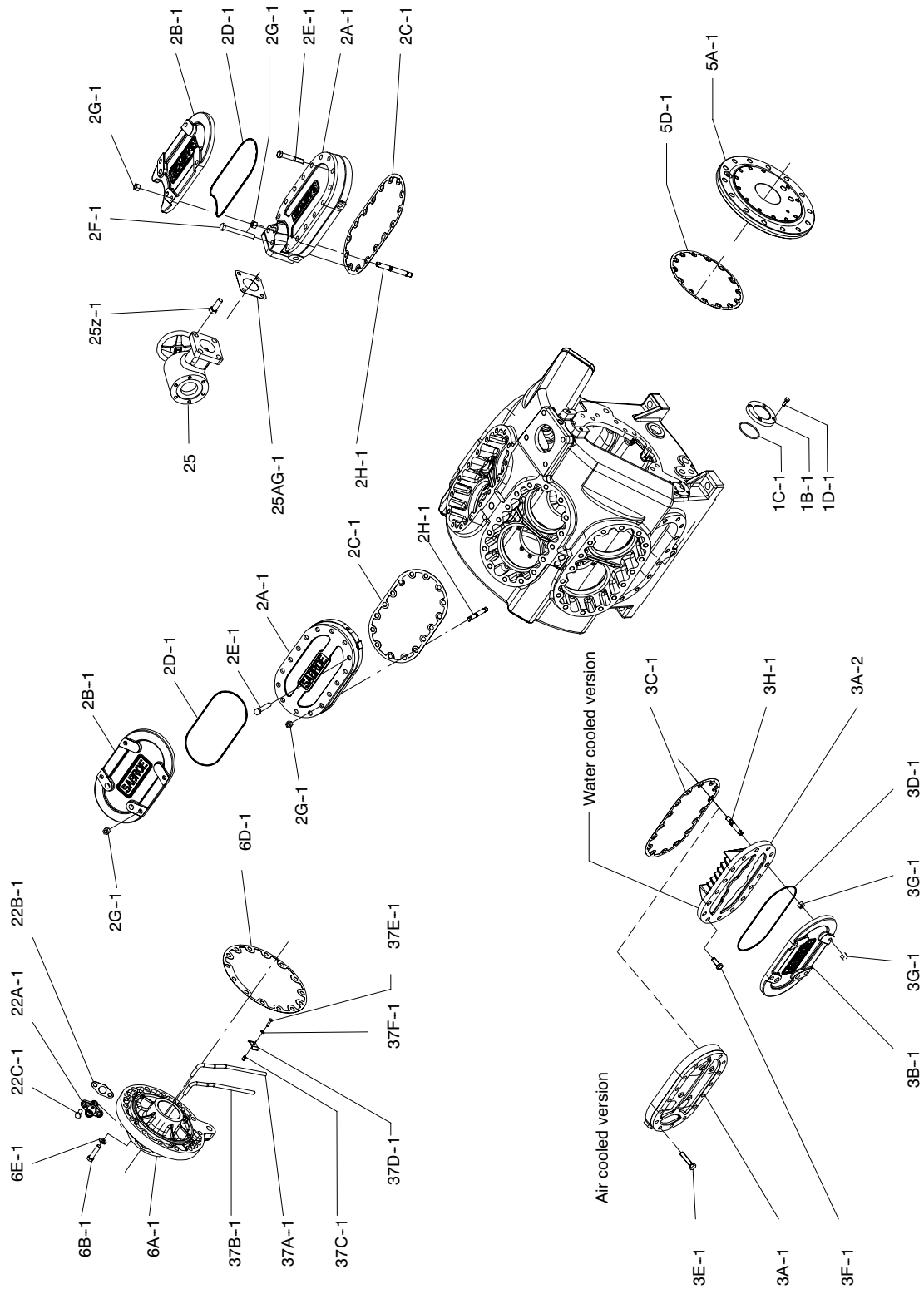
19. Drawings



Covers

Drawing no. 0662-060

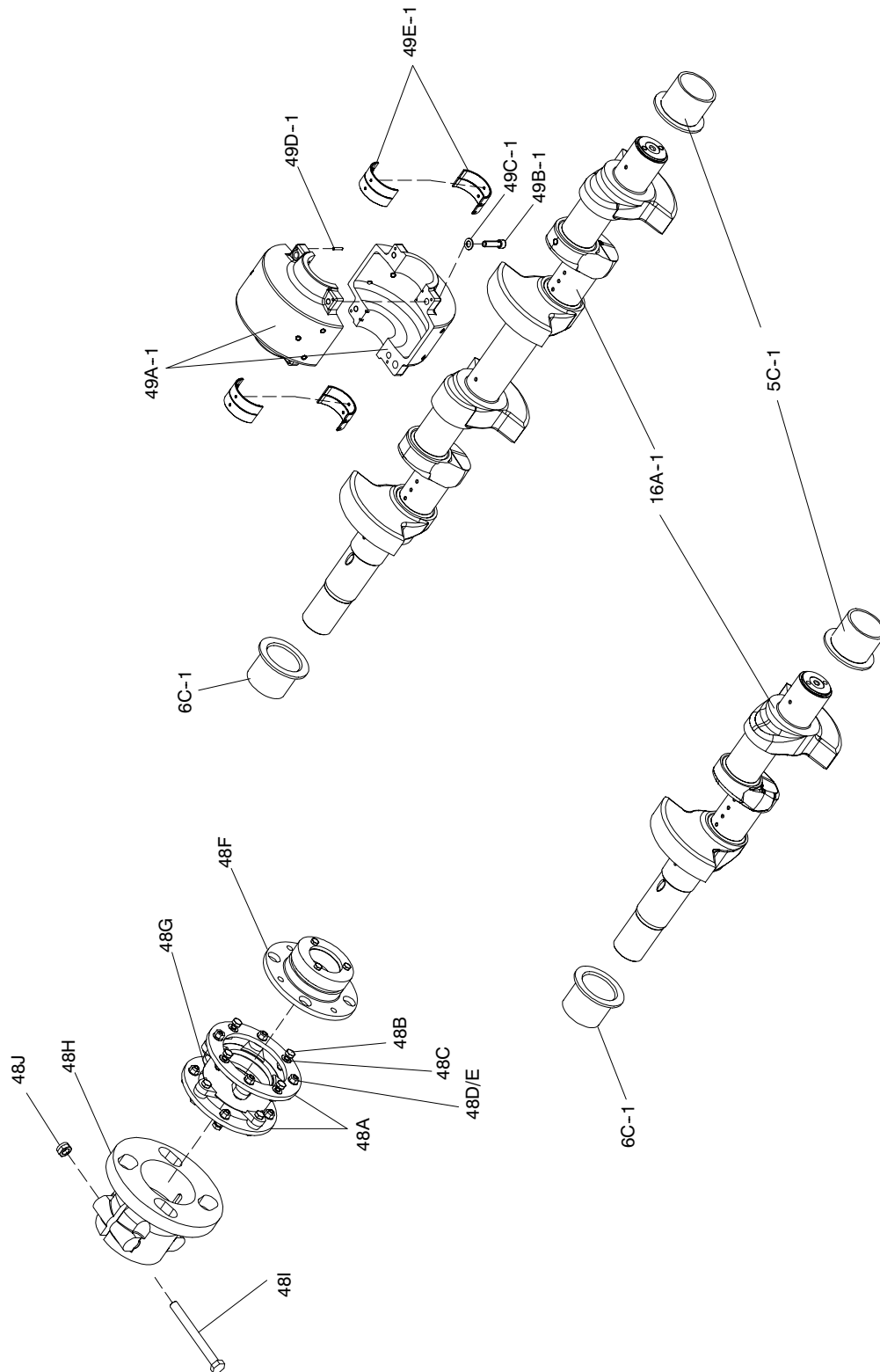
19 spare parts drawings.fm



19. Drawings

Crankshaft, bearings and coupling

Drawing no. 0662-060



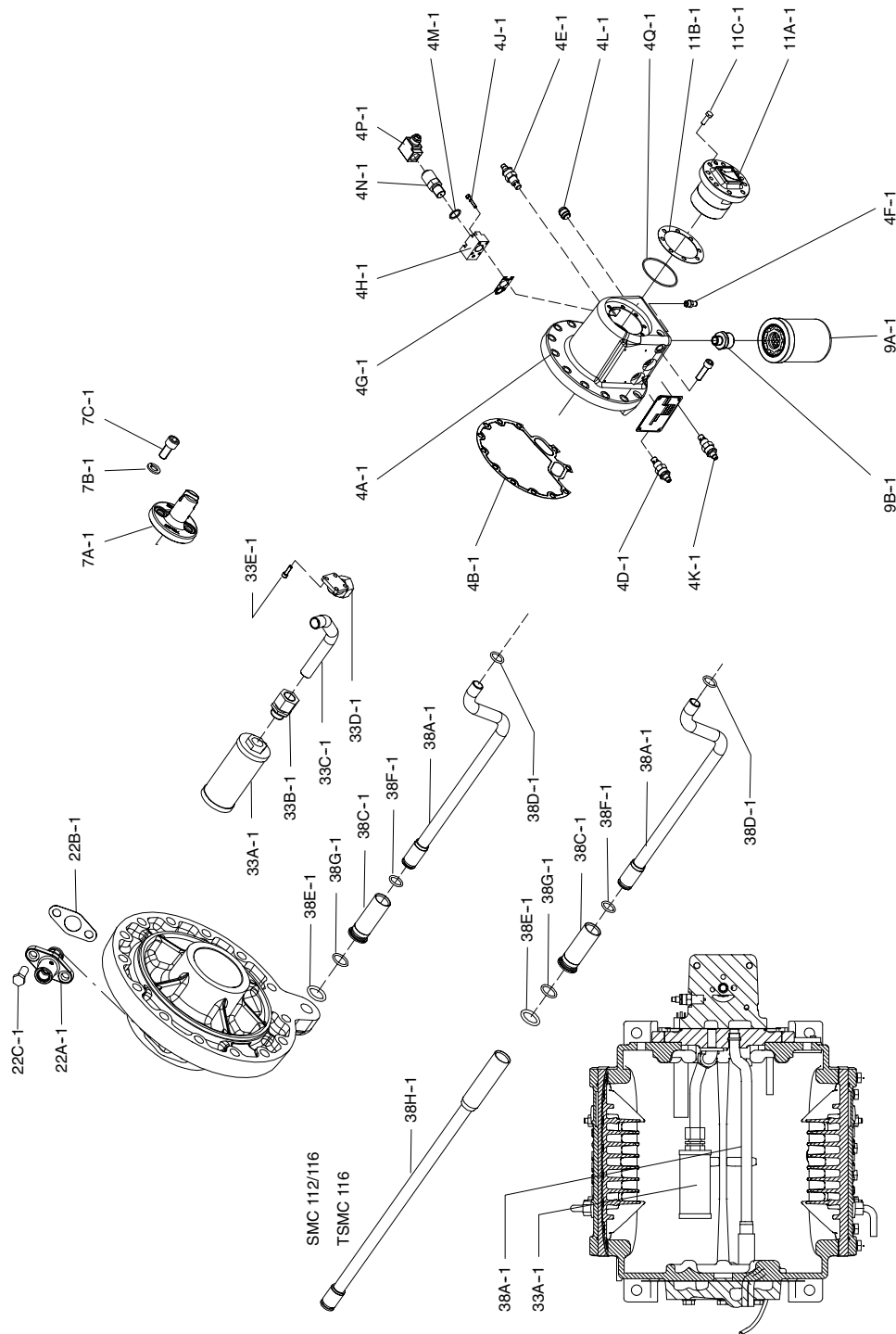
19. Drawings



Oil system

Drawing no. 0662-060

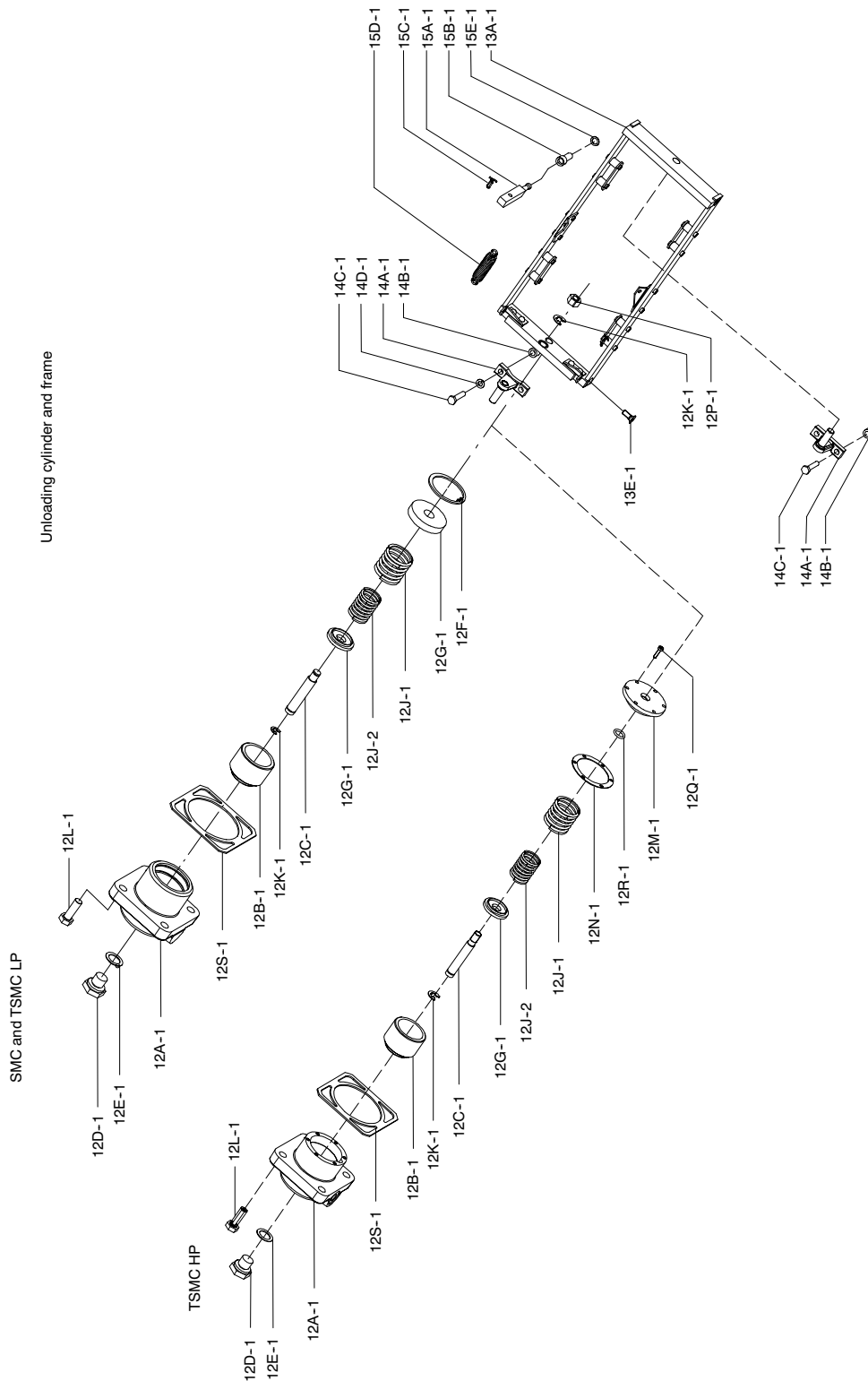
19 spare parts drawings.fm



19. Drawings

Unloading frame/cylinder

Drawing no. 0662-060

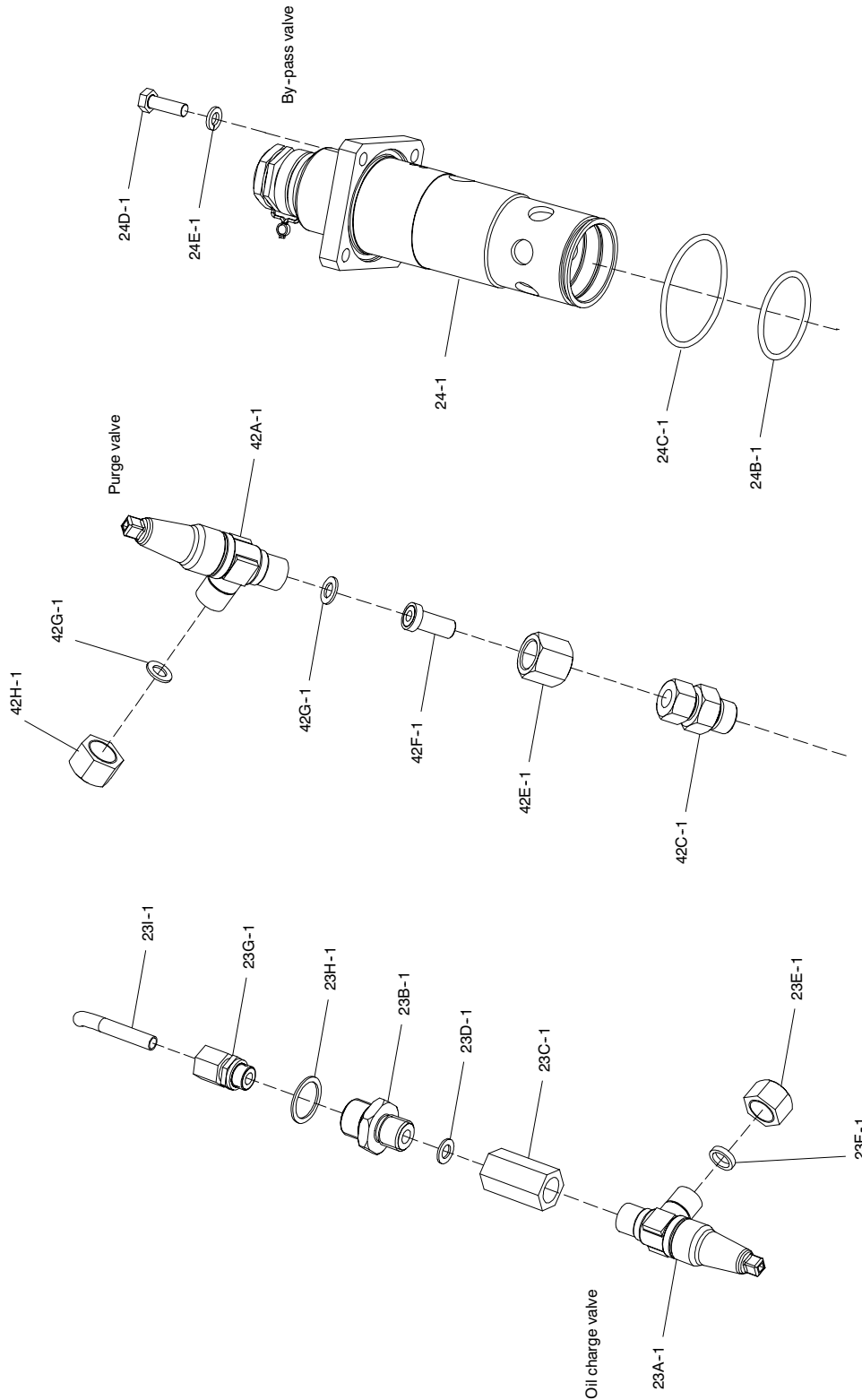


19. Drawings



By-pass and service valves

Drawing no. 0662-060

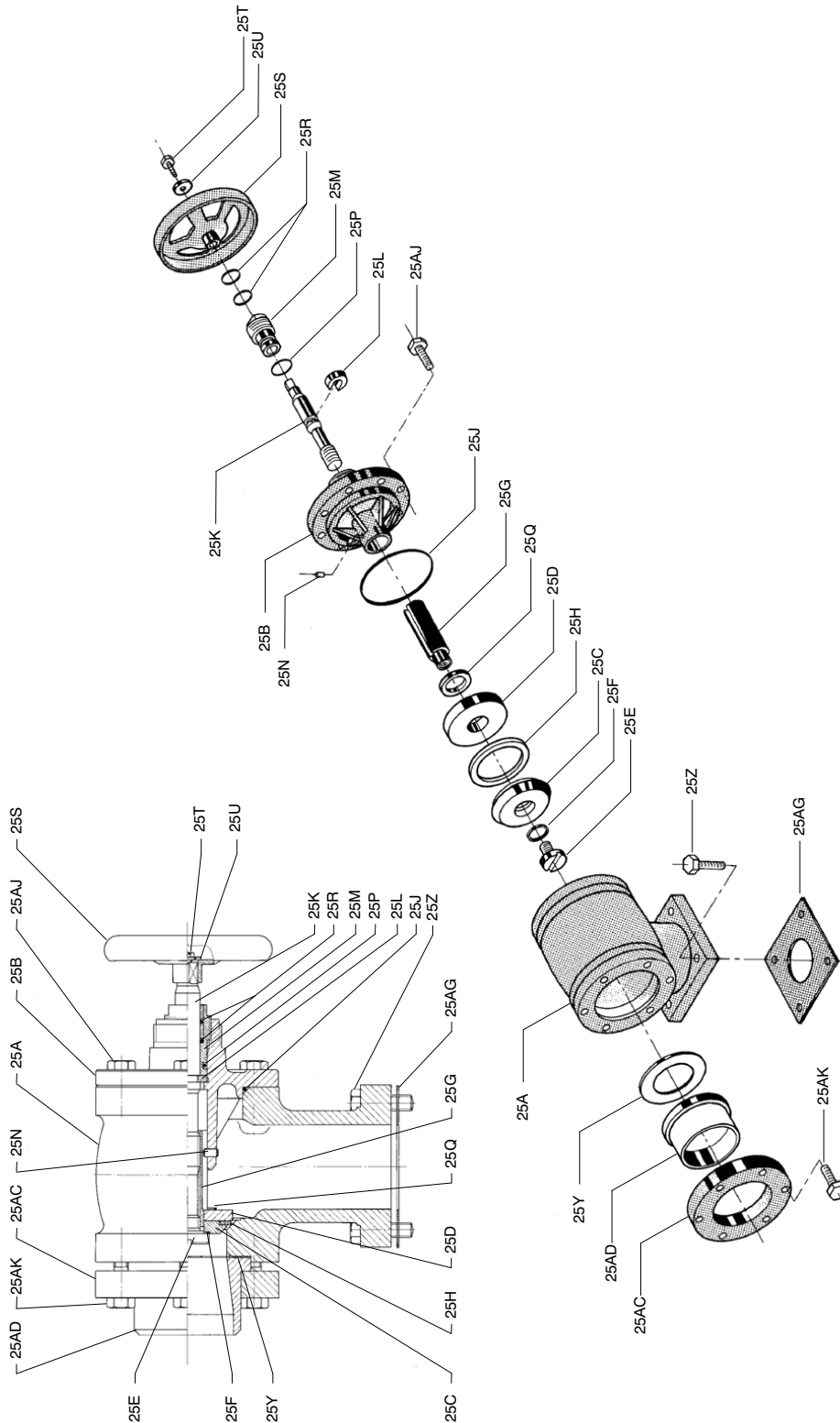


19 spare parts drawings.fm

19. Drawings

Stop valves

Drawing no. 0662-060



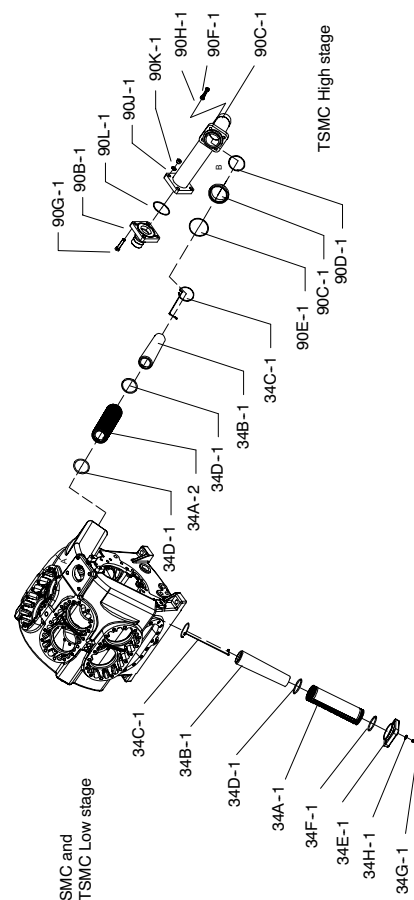
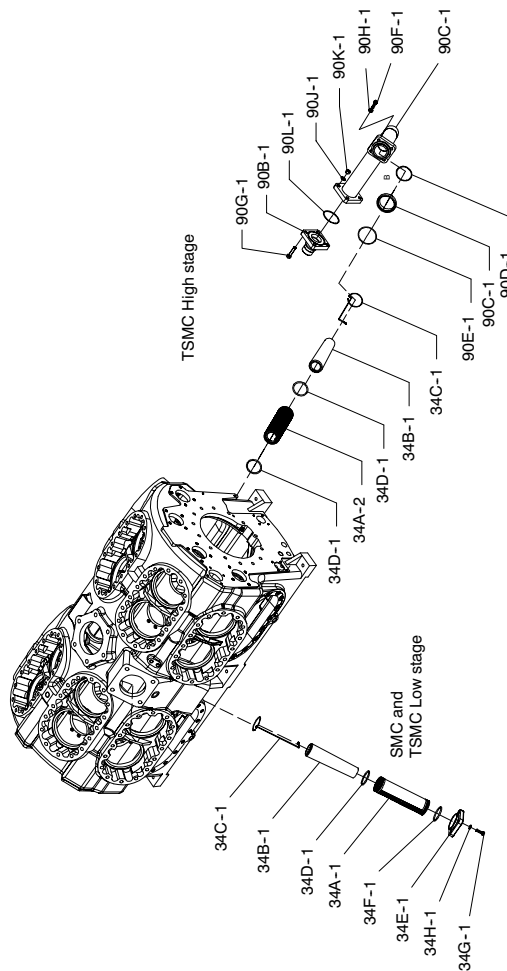
19. Drawings



Suction filters

Drawing no. 0662-060

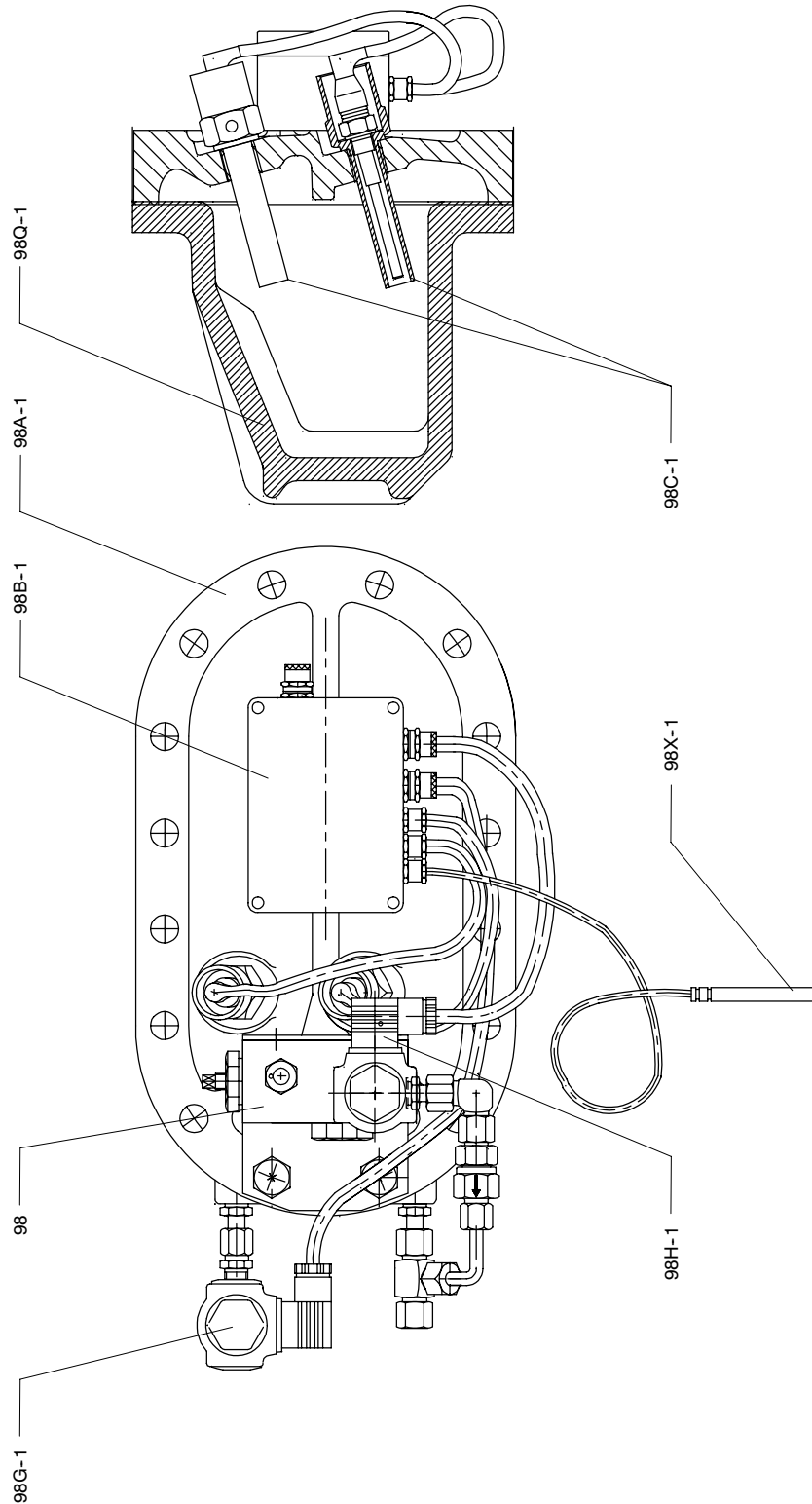
19 spare parts drawings.fm



19. Drawings

Thermo pump cover

Drawing no. 0662-060

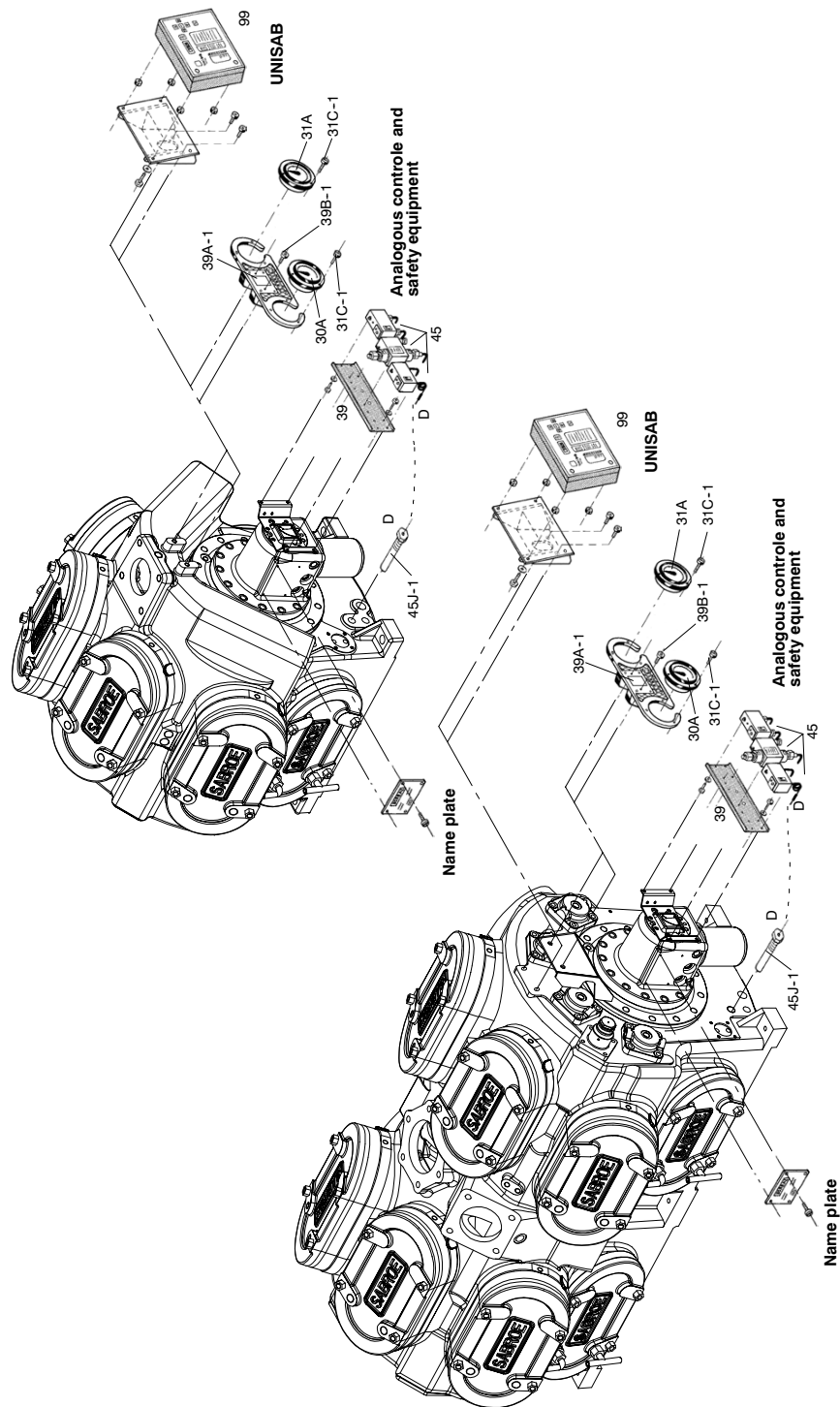




Analogue control and safety equipment

Drawing no. 0662-060

19 spare parts drawings.fm



19. Drawings
