

EMEA REPLACEMENT COMPONENTS DIVISION



Parts and commodities for heating  
and air conditioning

C a t a l o g

2012



TOTALINE



## COMPRESSORS

DANFOSS MODEL DESIGNATION.....	7
DANFOSS COMPRESSORS TECHNICAL DATAS .....	8
DANFOSS R410A HERMETICS COMPRESSORS .....	14
DANFOSS R407C HERMETICS COMPRESSORS .....	15
DANFOSS R22 HERMETICS COMPRESSORS .....	16
DANFOSS COMPRESSORS SPARE PARTS.....	17
DANFOSS COMPRESSORS SPARE PARTS.....	18
COPELAND MODEL DESIGNATION .....	19
COPELAND R410A HERMETICS COMPRESSORS .....	20
COPELAND R407C HERMETICS COMPRESSORS .....	21
COPELAND R22 HERMETICS COMPRESSORS.....	21
COPELAND COMPRESSORS SPARE PARTS.....	22
BRISTOL MODEL DESIGNATION .....	23
BRISTOL R22 - R407C - R404A COMPRESSORS .....	24
EQUIVALENCES BOARD BRISTOL COMPRESSORS.....	26
06D MODEL DESIGNATION.....	27
06D COMPRESSORS TECHNICAL DATAS .....	28
06D SEMI-HERMETICS COMPRESSORS.....	32
06D SEMI-HERMETICS COMPRESSORS SPARE PARTS .....	34
06E MODEL DESIGNATION.....	35
06E COMPRESSORS TECHNICAL DATAS .....	36
06E SEMI-HERMETICS COMPRESSORS .....	39
06E SEMI-HERMETICS COMPRESSORS SPARE PARTS .....	40
06N COMPRESSORS MODEL DESIGNATION .....	42
06N SCREWS COMPRESSORS .....	43
06N SCREWS COMPRESSORS SPARE PARTS.....	44
06T COMPRESSORS .....	46
06T COMPRESSORS SPARE PARTS .....	47
5F & 5H COMPRESSORS TECHNICAL DATAS .....	49
5F & 5H COMPRESSORS OPEN SIGNIFIANCE CHART .....	50
5F & 5H COMPRESSORS .....	53
5F & 5H COMPRESSORS SPARE PARTS.....	54
PARTS FOR 06B COMPRESSORS .....	57

## VALVES

ELECTRONIC EXPANSION VALVES.....	60
----------------------------------	----

# SUMMARY

COMPLETE THERMOSTATIC EXPANSION VALVES .....	65
COMPLETE THERMOSTATIC EXPANSION VALVES .....	67
BALL VALVES .....	70
BALL VALVES .....	71
COOLING WATER VALVES .....	73
COOLING WATER VALVES ACTUATOR .....	75
R410A REVERSING VALVE .....	76
R22 REVERSING VALVE .....	77
TQ VALVES .....	80
ANGLE VALVES .....	81
ACCURATORS PISTONS .....	84
ACCURATORS SPARE PARTS .....	85

## **MOTORS & PROPELLERS**

MOTORS .....	86
FAN PROPELLERS .....	90
CAPS .....	93
FAN MOTORS .....	94
FAN ASSEMBLY .....	99

## **HYDRAULIC**

IE2 SINGLE HYDRAULIC PUMPS .....	100
SINGLE HYDRAULIC PUMPS .....	101
IE2 DOUBLE HYDRAULIC PUMPS .....	104
DOUBLE HYDRAULIC PUMPS .....	105
HYDRAULIC COLLARS .....	106
FLOW SWITCH .....	107
TAPS .....	108
HYDRAULIC SAFETY VALVES .....	109
BRASS TAP VALVES .....	111
EXPANSION TANK .....	111
WATER FILTERS .....	112
FLEXIBLES .....	113
PLATE EXCHANGERS .....	114
PERISTALTIC PUMPS .....	119

## **OIL LINE AND PARTS**

OIL PUMPS .....	121
-----------------	-----

CARRIER ERCD reserves the right to change any product specifications without notice.

OIL FILTERS.....	121
OIL LEVEL SWITCH.....	122
OIL LINE.....	122
HEATING CABLES .....	123
AUTO-ADHESIVE HEATING PLATE .....	124

## **FILTERS DRIERS AND SHELLS**

MOISTURE LIQUID INDICATORS .....	125
FILTERS DRIERS SHELLS FOR CARTRIDGES .....	127
SUCTION FILTERS SHELLS .....	130
FILTERS DRIERS .....	131
CARTRIDGES .....	133

## **AIR FILTERS**

AIR FILTERS INSTALLED IN CARRIER SPLIT SYSTEMS .....	135
AIR FILTERS.....	141

## **PRESSURE SWITCH**

MINI HIGH PRESSURE SWITCH .....	143
MINI LOW PRESSURE SWITCH.....	143
HIGH PRESSURE SWITCH .....	144
HIGH PRESSURE SWITCH .....	144
DOUBLE HIGH PRESSURE SWITCH.....	145
LOW PRESSURE SWITCH.....	145
PRESSURE SWITCH .....	146
OIL PRESSURE SWITCH.....	147
OIL DIFFERENTIAL PRESSURE SWITCH .....	147

## **THERMOSTATS**

THERMOSTATS .....	148
TEMPERATURE SENSORS.....	153

## **ELECTRICAL PARTS**

CONTACTORS .....	154
AUXILIARY CONTACT RELAYS .....	159
BREAKERS.....	162
FUSES .....	166
LINK FUSES.....	168

CARRIER ERCD reserves the right to change any product specifications without notice.



FUSES SWITCH DISCONNECTOR.....	170
SWITCH DISCONNECTORS WITHOUT FUSE.....	171
TRANSFORMERS.....	173
3 - PHASES BUSBARS .....	175
RELAYS .....	176
CAPACITORS.....	179
PLASTIC DISCONNECTING SWITCH .....	183
DISCONNECTING SWITCH SHAFT .....	183
SWITCH DISCONNECTORS.....	184
CRANKCASE HEATER .....	184
ACTUATORS.....	185

## ELECTRONICS

FLOTRONIC CONTROL.....	189
PRODIALOG CONTROL.....	191
PRODIALOG AQUASNAP (30RA/RH/RB/RQ) CONTROL.....	194
30 XA / 30 XW PDS CONTROL .....	195
ELECTRONIC STARTERS .....	196
SPEED VARIATORS.....	196
AQUASMART SYSTEM MANAGER.....	199

## SAFETY

SAFETY VALVES .....	202
FUSES PLUGS .....	203

## BRASS FITTINGS

NUTS.....	204
BRASS FITINGS / COUPLING.....	205
BRASS FITINGS / 90° ELBOWS .....	206
BRASS FITINGS / TEES .....	207
PLUGS.....	208
COPPER SEAL CAPS.....	209
COPPER GASKETS .....	209

## COPPER FITTINGS

COPPER COUPLING.....	210
45° ELBOWS .....	214
90° ELBOWS .....	215

# SUMMARY

EQUALS COPPER TEES .....	218
REDUCING COPPER TEES.....	219

## COPPER

COPPER BARS.....	225
NAKED COPPER ROLLS .....	225
TUBE INSULATED COPPER ROLLS .....	226

## INSULATION

INSULATION / TUBE INSULATION .....	227
------------------------------------	-----

## OILS

COPELAND COMPRESSORS OILS.....	228
MANEUROP COMPRESSORS OILS.....	228
TOTALINE MINERAL OILS.....	229
TOTALINE ESTER OILS.....	229

## TESTS

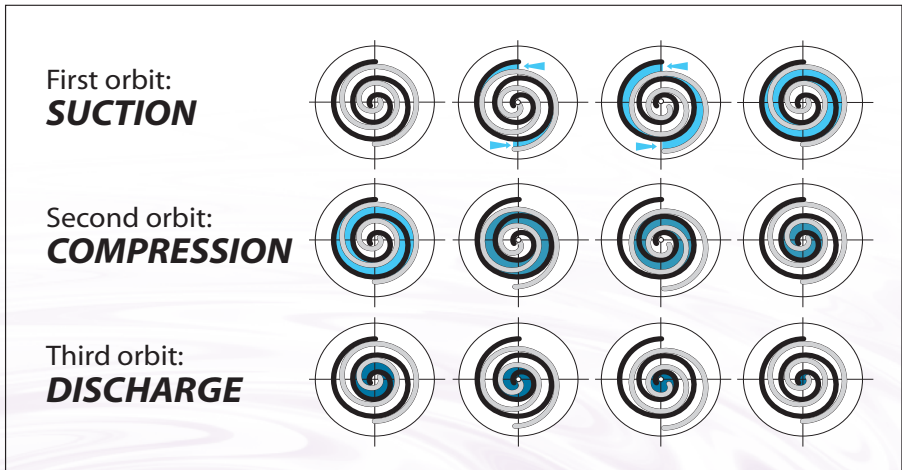
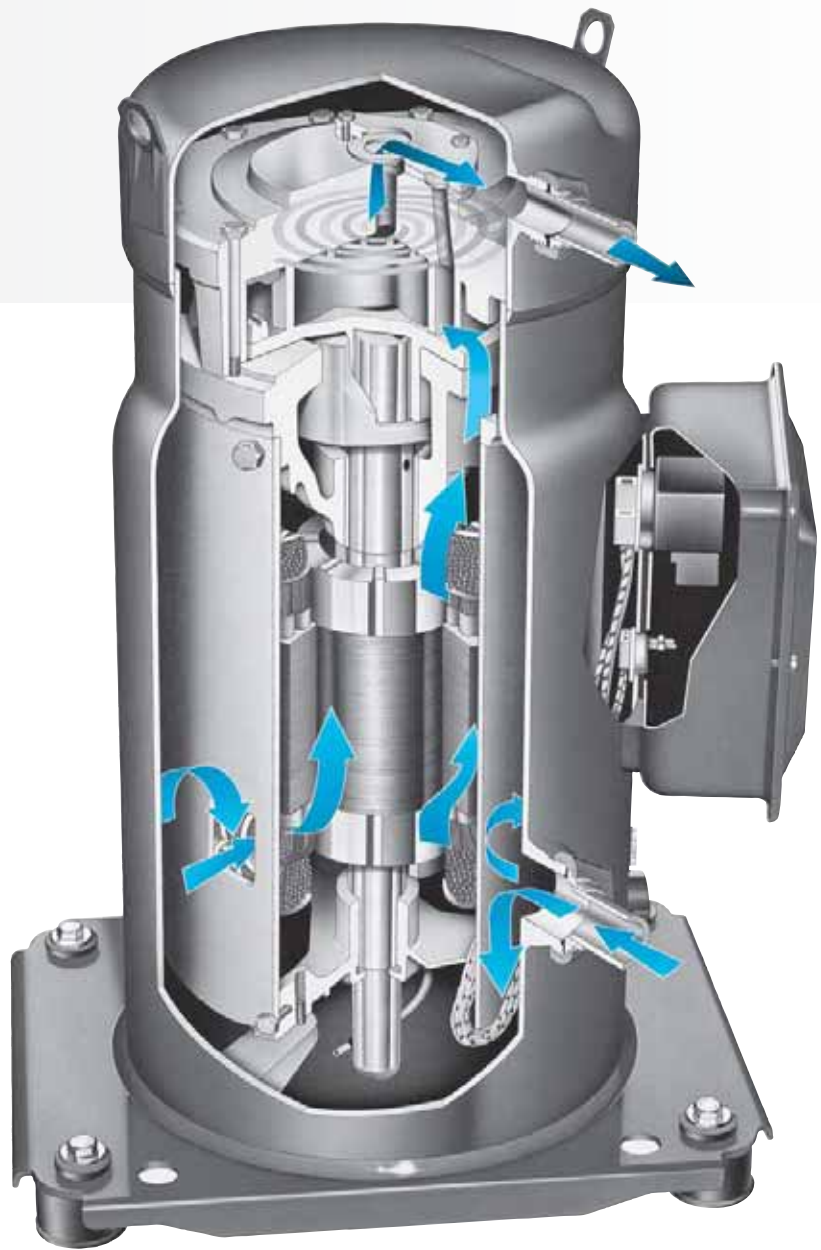
VERNOLAB OIL TEST .....	230
-------------------------	-----

## TOOLS

TOOLS .....	231
GAUGES .....	244
FIN COMBS.....	246
PAINT SPRAYS.....	246
COOLER & CONDENSER BRUSHES .....	247

**PERFORMER® SCROLL COMPRESSION PRINCIPLE**

Compressors



For other codes, please consult us



## COMPRESSOR MODEL DESIGNATION

Performer® scroll compressors are available both as single compressors and as tandem units. The example below presents the single compressor codification (technical reference

shown on compressor nameplate). For tandem assemblies, please refer to the Performer® Parallel Application Guidelines documentation.

### Nomenclature

	Family, lubricant & refrigerant	Nominal capacity	Motor protection type	Voltage	Version	Evolution Index
	<b>S Z</b> <b>S Y</b>	<b>1 8 5</b> <b>3 0 0</b>	<b>S</b> <b>A</b>	<b>4</b> <b>9</b>	<b>R</b> <b>AA</b>	<b>C</b> <b>A</b>

**Family, lubricant & refrigerant**  
**SM:** Scroll, mineral oil, for R22  
**SY:** Scroll, POE lubricant, for R22  
**SZ:** Scroll, POE lubricant, for R407C - R134a

**Nominal capacity**  
 in thousand Btu/h at 60 Hz, R22, ARI conditions

**UL index**

**Voltage**  
 Motor voltage code:  
 3: 200-230/3/60  
 4: 380-400/3/50 - 460/3/60  
 6: 230/3/50  
 7: 500/3/50 - 575/3/60  
 9: 380/3/60

Motor protection type	Version	Description	Applies to
Internal overload protector	V	V: brazed	S 084 - 090 100 - 110 - 120 148 - 161
Internal thermostat	C	C: brazed	S 115 - 125 160 - 175 - 185
	R	R: rotolock	
Electronic protection module	AA AB MA MB	A: brazed    A: 24V A: brazed    B: 115/230V M: rotolock    A: 24V M: rotolock    B: 115/230V	S 240* - 300* - 380*

\*For trio assemblies, please contact Danfoss

### Connection details

Model	SM/SZ 084 - 090 - 100 110 - 120 - 148 - 161	SM/SZ 115 - 125 - 160 - 175 - 185		SY/SZ 240 - 300		SY/SZ 380
Version	V	R	C	MA MB	AA AB	AA AB
Suction and discharge connection	brazed	rotolock	brazed	rotolock	brazed	brazed
Oil sight glass	threaded	threaded	threaded	threaded	threaded	threaded
Oil equalization connection	3/8" flare	3/8" flare	3/8" flare	1/2" flare	1/2" flare	1/2" flare
Oil drain connection	-	1/4" NPT	1/4" NPT	1/4" NPT	1/4" NPT	1/4" NPT
Low pressure gauge port (schrader)	1/4" flare	1/4" flare	1/4" flare	1/4" flare	1/4" flare	1/4" flare

## TECHNICAL SPECIFICATIONS

### 50-Hz data

Model	Nominal Cap. 60 Hz TR	Nominal cooling capacity		Power input kW	A max (code 4) A	Efficiency		Sound power dB(A)	Swept volume cm <sup>3</sup> /rev	Displacement** m <sup>3</sup> /h	Oil charge dm <sup>3</sup>	Net weight* kg	
		W	Btu/h			COP W/W	E.E.R. Btu/h/W						
<b>R22 SINGLE</b>	<b>SM084</b>	7	20400	69 600	6.12	17	3.33	11.4	70	114.5	19.92	3.3	64
	<b>SM090</b>	7.5	21800	74 400	6.54	17	3.33	11.4	70	120.5	20.97	3.3	65
	<b>SM100</b>	8	23100	79 000	6.96	19	3.33	11.3	70	127.2	22.13	3.3	65
	<b>SM110</b>	9	25900	88 600	7.82	20	3.32	11.3	75	144.2	25.09	3.3	73
	<b>SM115</b>	9.5	28000	95 600	8.31	25	3.37	11.5	76	155.0	26.97	3.8	78
	<b>SM120</b>	10	30100	102 800	8.96	29	3.36	11.5	75	166.6	28.99	3.3	73
	<b>SM125</b>	10	30100	102 800	8.93	25	3.37	11.5	76	166.6	28.99	3.8	78
	<b>SM148</b>	12	36100	123 100	10.80	32	3.34	11.4	79	199.0	34.60	3.6	88
	<b>SM160</b>	13	39100	133 500	11.60	29	3.37	11.5	79.5	216.6	37.69	4.0	90
	<b>SM161</b>	13	39000	133 200	11.59	32	3.37	11.5	79.5	216.6	37.69	3.6	88
	<b>SM175</b>	14	42000	143 400	12.46	35	3.37	11.5	80	233.0	40.54	6.2	100
	<b>SM185</b>	15	45500	155 300	13.62	35	3.34	11.4	80	249.9	43.48	6.2	100
	<b>SY240</b>	20	61200	208 700	18.20	50	3.36	11.5	82	347.8	60.50	8.0	150
	<b>SY300</b>	25	78200	267 000	22.83	69	3.43	11.7	82	437.5	76.10	8.0	157
<b>SY380</b>	30	92000	313 900	26.82	79	3.43	11.7	85	531.2	92.40	8.4	158	
<b>R407C SINGLE</b>	<b>SZ084</b>	7	19300	66 000	6.13	17	3.15	10.7	71	114.5	19.92	3.3	64
	<b>SZ090</b>	7.5	20400	69 600	6.45	17	3.16	10.8	72	120.5	20.97	3.3	65
	<b>SZ100</b>	8	21600	73 700	6.84	19	3.15	10.8	73	127.2	22.13	3.3	65
	<b>SZ110</b>	9	24600	84 000	7.76	20	3.17	10.8	77	144.2	25.09	3.3	73
	<b>SZ115</b>	9.5	26900	91 700	8.49	25	3.16	10.8	77	155.0	26.97	3.8	78
	<b>SZ120</b>	10	28600	97 600	8.98	29	3.18	10.9	77	166.6	28.99	3.3	73
	<b>SZ125</b>	10	28600	97 500	8.95	25	3.19	10.9	78	166.6	28.99	3.8	78
	<b>SZ148</b>	12	35100	119 800	10.99	32	3.19	10.9	79	199.0	34.60	3.6	88
	<b>SZ160</b>	13	37600	128 200	11.58	29	3.24	11.1	80.5	216.6	37.69	4.0	90
	<b>SZ161</b>	13	37900	129 500	11.83	32	3.21	10.9	79	216.6	37.69	3.6	88
	<b>SZ175</b>	14	40100	136 900	12.67	35	3.17	10.8	81	233.0	40.54	6.2	100
	<b>SZ185</b>	15	43100	147 100	13.62	35	3.16	10.8	81	249.9	43.48	6.2	100
	<b>SZ240</b>	20	59100	201 800	18.60	50	3.18	10.9	83.5	347.8	60.50	8.0	150
	<b>SZ300</b>	25	72800	248 300	22.70	69	3.20	10.9	84	437.5	76.10	8.0	157
<b>SZ380</b>	30	89600	305 900	27.60	79	3.25	11.1	86.5	531.2	92.40	8.4	158	

TR = Ton of Refrigeration  
 COP = Coefficient Of Performance  
 EER = Energy Efficiency Ratio

\* with oil charge & accessories  
 \*\* at nominal speed  
 2900 rpm at 50 Hz  
 3500 rpm at 60Hz

### Rating conditions

	SM/SY compressors	SZ compressors
Refrigerant	R22	R407C
Frequency	50 Hz	50 Hz
Standard rating conditions	ARI standard conditions	-
Evaporating temperature	7.2 °C	7.2 °C (dew point)
Condensing temperature	54.4 °C	54.4 °C (dew point)
Sub-cooling	8.3 K	8.3 K
Superheat	11.1 K	11.1 K

Subject to modification without prior notification

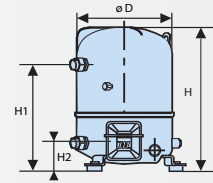
## PRODUCT RANGE

Model		Nominal voltage							
		208-230/1/60	200-230/3/60	400/3/50 460/3/60	230/1/50	230/3/50	500/3/50 575/3/60	380/3/60	
		Motor voltage code							
		1	3	4	5	6	7	9	
M-HBP Applications	MT/MTZ018	1 cylinder	•	•	•	•	•		
	MT/MTZ022		•	•	•	•	•		•
	MT/MTZ028		•	•	•	•	•		•
	MT/MTZ032		•	•	•	•	•	•	•
	MT/MTZ036		•	•	•	•	•	•	•
	MT/MTZ040		•	•	•	•	•	•	•
	MT/MTZ044	2 cylinders	•	•	•		•	•	•
	MT/MTZ045		•	•	•		•	•	•
	MT/MTZ050		•	•	•	•	•	•	•
	MT/MTZ051		•	•	•		•	•	•
	MT/MTZ056		•	•	•		•	•	•
	MT/MTZ057		•	•	•		•	•	•
	MT/MTZ064		•	•	•		•	•	•
	MT/MTZ065		•	•	•		•	•	•
	MT/MTZ072		•	•	•		•	•	•
	MT/MTZ073		•	•	•		•	•	•
	MT/MTZ080	•	•	•		•	•	•	
	MT/MTZ081	•	•	•		•	•	•	
	MT/MTZ100	4 cylinders	•	•	•		•	•	•
	MT/MTZ125		•	•	•		•	•	•
MT/MTZ144	•		•	•		•	•	•	
MT/MTZ160	•		•	•		•	•	•	
MTM/MTZ200 T	Tandem 2 x 4	•	•	•		•	•	•	
MTM/MTZ250 T		•	•	•		•	•	•	
MTM/MTZ288 T		•	•	•		•	•	•	
MTM/MTZ320 T		•	•	•		•	•	•	
LBP Applications	LTZ022	1 cyl.	•	•	•	•		•	•
	LTZ028		•	•	•	•		•	•
	LTZ040	2 cyl.	•	•	•	•		•	•
	LTZ044		•	•	•	•		•	•
	LTZ050	4 cyl.	•	•	•	•		•	•
	LTZ088		•	•	•	•		•	•
	LTZ100	2 x 4	•	•	•	•		•	•
	LTZ176 T		•	•	•	•		•	•
	LTZ200 T	1 cyl.	•	•	•	•		•	•
	NTZ048		•	•	•	•		•	•
	NTZ068	2 cyl.	•	•	•	•		•	•
	NTZ096		•	•	•	•		•	•
	NTZ108	4 cyl.	•	•	•	•		•	•
	NTZ136		•	•	•	•		•	•
NTZ215	2 x 4	•	•	•	•		•	•	
NTZ271		•	•	•	•		•	•	
NTZ430 T	1 cyl.	•	•	•	•		•	•	
NTZ542 T		•	•	•	•		•	•	

M-HBP: Medium High Back Pressure - LBP: Low Back Pressure  
NTZ code 1 & 5 available end 2006

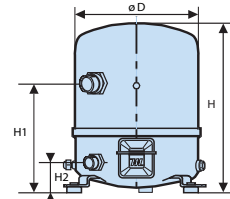
### 1 cylinder

D : 225 mm  
H : 333/358 mm  
H1 : 263 mm  
H2 : 68 mm



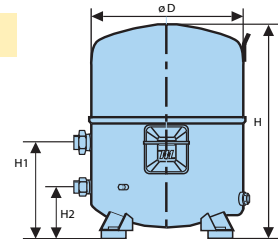
### 2 cylinders

D : 288 mm  
H : 415 mm  
H1 : 266 mm  
H2 : 75 mm



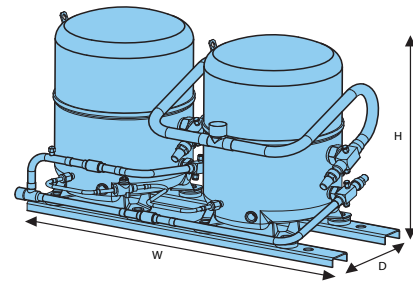
### 4 cylinders

D : 352 mm  
H : 519/540 mm  
H1 : 233 mm  
H2 : 125 mm

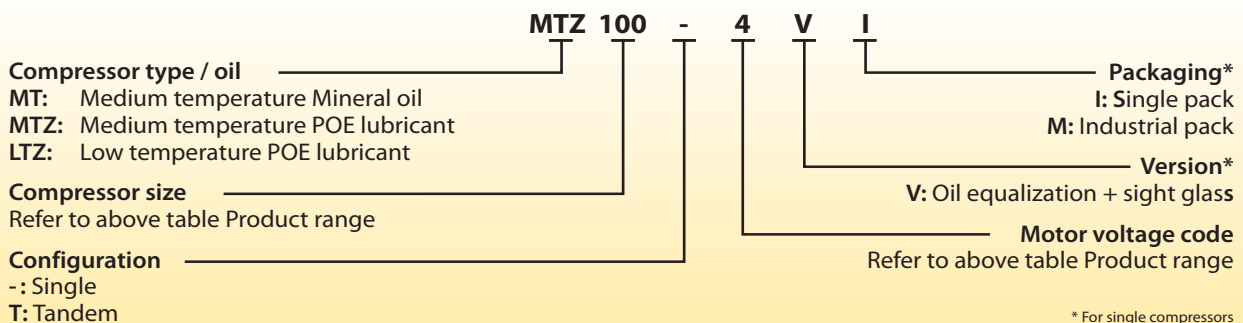


### Tandem 2 x 4

H : 544/565 mm  
D : 515 mm  
W : 925 mm



## CODE NUMBERS FOR ORDERING MT, MTZ, LTZ SERIES



# COMPRESSORS / DANFOSS COMPRESSORS TECHNICAL DATAS

MT

PERFORMANCE DATA

R22

Model	To		-25		-20		-15		-10		-5		0		5		10		15	
	Tc	Qo	Pe	Qo	Pe	Qo	Pe	Qo	Pe	Qo	Pe	Qo	Pe	Qo	Pe	Qo	Pe	Qo	Pe	
MT018	35	900	0.73	1 340	0.86	1 910	0.99	2 610	1.10	3 480	1.20	4 530	1.28	5 790	1.33	7 260	1.36	8 990	1.34	
	45	690	0.77	1 070	0.92	1 560	1.06	2 170	1.20	2 940	1.32	3 860	1.43	4 980	1.51	6 310	1.57	7 860	1.60	
	55	-	-	-	-	1 230	1.12	1 740	1.28	2 370	1.44	3 160	1.58	4 120	1.70	5 270	1.80	6 640	1.87	
MT022	35	1 340	0.89	2 050	1.08	2 890	1.26	3 880	1.43	5 030	1.57	6 360	1.68	7 880	1.76	9 620	1.79	11 580	1.76	
	45	890	0.92	1 540	1.14	2 310	1.35	3 210	1.54	4 250	1.72	5 470	1.88	6 860	2.00	8 450	2.08	10 250	2.11	
	55	-	-	-	-	1 710	1.38	2 500	1.62	3 430	1.84	4 510	2.04	5 760	2.22	7 190	2.35	8 810	2.45	
MT028	35	2 310	1.45	3 250	1.66	4 330	1.86	5 570	2.03	6 980	2.16	8 570	2.25	10 370	2.28	12 380	2.25	14 610	2.14	
	45	1 750	1.46	2 630	1.71	3 640	1.95	4 800	2.18	6 110	2.37	7 590	2.53	9 260	2.64	11 140	2.70	13 220	2.69	
	55	-	-	-	-	2 910	2.01	3 960	2.30	5 160	2.57	6 510	2.81	8 040	3.01	9 760	3.17	11 670	3.27	
MT032	35	2 500	1.70	3 480	1.93	4 640	2.16	5 990	2.36	7 570	2.53	9 390	2.67	11 470	2.75	13 830	2.78	16 510	2.74	
	45	1 870	1.75	2 770	2.02	3 830	2.28	5 080	2.54	6 520	2.73	8 190	2.97	10 110	3.12	12 290	3.23	14 760	3.28	
	55	-	-	-	-	3 130	2.39	4 240	2.70	5 530	3.00	7 030	3.27	8 750	3.51	10 730	3.71	12 970	3.86	
MT036	35	3 120	1.90	4 300	2.13	5 650	2.37	7 190	2.59	8 920	2.79	10 870	2.96	13 050	3.09	15 470	3.18	18 140	3.22	
	45	2 350	2.01	3 470	2.28	4 740	2.55	6 180	2.82	7 800	3.07	9 620	3.31	11 660	3.51	13 920	3.68	16 410	3.80	
	55	-	-	-	-	3 790	2.73	5 110	3.06	6 600	3.37	8 270	3.68	10 140	3.96	12 220	4.22	14 520	4.43	
MT040	35	3 380	1.96	4 650	2.29	6 110	2.60	7 760	2.88	9 630	3.11	11 730	3.28	14 070	3.39	16 680	3.40	19 560	3.32	
	45	2 460	2.12	3 700	2.50	5 110	2.86	6 710	3.21	8 510	3.52	10 540	3.78	12 800	3.98	15 310	4.11	18 090	4.14	
	55	-	-	-	-	4 090	3.04	5 620	3.46	7 350	3.87	9 290	4.23	11 460	4.54	13 870	4.79	16 530	4.97	
MT044	35	3 420	2.00	4 620	2.33	6 100	2.64	7 900	2.91	10 070	3.14	12 660	3.30	15 700	3.39	19 250	3.38	23 340	3.27	
	45	2 820	2.18	3 880	2.56	5 200	2.92	6 820	3.27	8 770	3.57	11 100	3.83	13 860	4.01	17 100	4.12	20 840	4.13	
	55	-	-	-	-	4 360	3.10	5 740	3.53	7 430	3.93	9 470	4.29	11 910	4.59	14 780	4.82	18 150	4.97	
MT045	35	2 840	1.99	4 180	2.28	5 780	2.53	7 690	2.74	9 930	2.92	12 530	3.07	15 530	3.20	18 960	3.30	22 840	3.39	
	45	2 170	1.98	3 390	2.39	4 840	2.74	6 550	3.04	8 560	3.31	10 900	3.53	13 590	3.73	16 670	3.90	20 170	4.05	
	55	-	-	-	-	3 880	2.82	5 400	3.24	7 170	3.61	9 230	3.94	11 600	4.23	14 330	4.49	17 440	4.72	
MT050	35	3 930	2.15	5 210	2.50	6 810	2.85	8 770	3.18	11 150	3.49	13 990	3.77	17 360	4.00	21 300	4.18	25 870	4.29	
	45	3 080	2.38	4 240	2.77	5 690	3.16	7 480	3.54	9 650	3.90	12 270	4.24	15 380	4.54	19 040	4.80	23 290	4.99	
	55	-	-	-	-	4 570	3.40	6 150	3.83	8 090	4.27	10 440	4.68	13 250	5.06	16 580	5.40	20 480	5.69	
MT051	35	3 610	2.36	5 060	2.67	6 820	2.93	8 920	3.16	11 390	3.35	14 290	3.52	17 640	3.66	21 490	3.77	25 860	3.88	
	45	2 950	2.43	4 260	2.86	5 830	3.24	7 700	3.56	9 900	3.85	12 460	4.10	15 430	4.31	18 850	4.50	22 740	4.66	
	55	-	-	-	-	4 870	3.41	6 520	3.87	8 440	4.27	10 680	4.63	13 290	4.95	16 280	5.23	19 710	5.48	
MT056	35	4 110	2.49	5 830	2.94	7 850	3.35	10 200	3.71	12 900	4.01	16 000	4.22	19 530	4.33	23 530	4.31	28 010	4.15	
	45	3 200	2.65	4 780	3.16	6 640	3.66	8 780	4.12	11 260	4.54	14 100	4.88	17 330	5.13	21 000	5.28	25 120	5.30	
	55	-	-	-	-	5 430	3.89	7 340	4.47	9 540	5.02	12 070	5.52	14 970	5.94	18 270	6.28	21 990	6.49	
MT057	35	4 190	2.64	5 880	2.98	7 900	3.29	10 280	3.57	13 050	3.81	16 260	4.03	19 940	4.23	24 120	4.40	28 850	4.56	
	45	3 280	2.68	4 820	3.14	6 640	3.56	8 770	3.93	11 250	4.27	14 110	4.57	17 400	4.85	21 150	5.09	25 400	5.32	
	55	-	-	-	-	5 440	3.71	7 330	4.21	9 520	4.67	12 050	5.09	14 960	5.47	18 280	5.81	22 060	6.13	
MT064	35	4 690	2.81	6 560	3.29	8 790	3.75	11 430	4.18	14 540	4.55	18 150	4.85	22 330	5.06	27 110	5.16	32 550	5.13	
	45	3 710	3.08	5 410	3.62	7 430	4.16	9 830	4.67	12 650	5.14	15 940	5.55	19 740	5.89	24 120	6.13	29 110	6.26	
	55	-	-	-	-	6 290	4.43	8 380	5.04	10 860	5.63	13 770	6.17	17 160	6.66	21 080	7.06	25 570	7.37	
MT065	35	4 900	3.03	6 650	3.36	8 800	3.68	11 400	3.99	14 480	4.28	18 100	4.55	22 290	4.82	27 090	5.07	32 560	5.30	
	45	4 260	3.24	5 790	3.65	7 680	4.05	9 980	4.43	12 720	4.80	15 960	5.15	19 730	5.48	24 080	5.80	29 050	6.10	
	55	-	-	-	-	6 600	4.36	8 550	4.85	10 920	5.31	13 730	5.76	17 050	6.18	20 900	6.59	25 330	6.98	
MT072	35	5 180	3.32	7 290	3.76	9 780	4.21	12 680	4.64	16 040	5.06	19 900	5.44	24 300	5.79	29 280	6.07	34 890	6.30	
	45	4 160	3.68	6 090	4.16	8 340	4.66	10 960	5.15	13 990	5.63	17 470	6.09	21 450	6.52	25 970	6.91	31 070	7.24	
	55	-	-	-	-	7 210	5.20	9 490	5.76	12 130	6.33	15 180	6.88	18 680	7.41	22 670	7.90	27 200	8.35	
MT073	35	5 710	3.24	7 780	3.72	10 290	4.16	13 310	4.57	16 870	4.95	21 030	5.29	25 830	5.59	31 340	5.85	37 590	6.07	
	45	4 720	3.39	6 560	3.97	8 800	4.51	11 500	5.03	14 700	5.52	18 460	5.97	22 830	6.39	27 850	6.76	33 580	7.09	
	55	-	-	-	-	7 360	4.79	9 710	5.43	12 520	6.04	15 850	6.61	19 730	7.15	24 230	7.66	29 400	8.12	
MT080	35	5 910	3.72	8 320	4.22	11 150	4.72	14 460	5.22	18 280	5.70	22 670	6.14	27 670	6.54	33 330	6.88	39 700	7.14	
	45	4 740	4.15	6 940	4.69	9 510	5.25	12 500	5.81	15 960	6.36	19 930	6.88	24 460	7.37	29 610	7.81	35 420	8.20	
	55	-	-	-	-	8 180	5.88	10 790	6.52	13 810	7.15	17 300	7.77	21 300	8.37	25 870	8.93	31 040	9.43	
MT081	35	6 530	3.79	8 890	4.28	11 720	4.75	15 070	5.19	19 020	5.63	23 610	6.06	28 900	6.48	34 970	6.90	41 850	7.32	
	45	5 420	3.97	7 600	4.59	10 180	5.19	13 240	5.76	16 820	6.30	21 000	6.83	25 820	7.35	31 350	7.86	37 640	8.36	
	55	-	-	-	-	8 570	5.50	11 300	6.23	14 510	6.94	18 240	7.62	22 570	8.27	27 540	8.91	33 220	9.54	
MT100	35	7 530	4.77	10 290	5.39	13 620	5.98	17 610	6.49	22 330	6.90	27 860	7.19	34 290	7.32	41 700	7.26	50 160	7.00	
	45	5 490	4.87	7 980	5.59	10 980	6.29	14 570	6.95	18 830	7.52	23 840	7.99	29 680	8.33	36 430	8.51	44 180	8.50	
	55	-	-	-	-	8 880														



# COMPRESSORS / DANFOSS COMPRESSORS TECHNICAL DATAS

MTZ

PERFORMANCE DATA

R404A / R507A

Model	To	-30		-25		-20		-15		-10		-5		0		5		10		
		Tc	Qo	Pe	Qo	Pe	Qo	Pe	Qo	Pe	Qo	Pe	Qo	Pe	Qo	Pe	Qo	Pe	Qo	Pe
MTZ018	35	720	0.92	1 220	1.13	1 820	1.30	2 540	1.43	3 390	1.53	4 390	1.60	5 540	1.65	6 870	1.67	8 390	1.68	
	45	400	0.78	840	1.06	1 370	1.29	2 000	1.48	2 750	1.63	3 630	1.76	4 650	1.85	5 830	1.91	7 190	1.96	
	55	-	-	460	0.90	900	1.21	1 430	1.47	2 060	1.69	2 800	1.87	3 680	2.01	4 700	2.13	5 880	2.22	
MTZ022	35	1 310	1.09	1 890	1.26	2 600	1.42	3 470	1.56	4 510	1.69	5 740	1.80	7 180	1.89	8 850	1.97	10 770	2.03	
	45	950	1.08	1 480	1.30	2 110	1.51	2 880	1.70	3 800	1.87	4 880	2.03	6 160	2.17	7 650	2.29	9 370	2.39	
	55	-	-	1 000	1.25	1 530	1.52	2 160	1.76	2 930	1.99	3 850	2.21	4 940	2.40	6 220	2.58	7 720	2.74	
MTZ028	35	1 910	1.43	2 660	1.67	3 560	1.88	4 620	2.06	5 870	2.23	7 320	2.37	8 990	2.49	10 910	2.59	13 090	2.67	
	45	1 440	1.42	2 120	1.71	2 920	1.98	3 860	2.23	4 970	2.45	6 250	2.66	7 740	2.84	9 440	2.99	11 390	3.13	
	55	-	-	1 530	1.68	2 210	2.02	3 020	2.33	3 960	2.63	5 060	2.90	6 330	3.14	7 810	3.37	9 500	3.57	
MTZ032	35	2 020	1.50	2 830	1.77	3 830	2.02	5 040	2.26	6 490	2.47	8 220	2.66	10 230	2.81	12 570	2.93	15 260	3.00	
	45	1 570	1.52	2 290	1.84	3 150	2.15	4 190	2.44	5 420	2.72	6 880	2.97	8 590	3.19	10 580	3.37	12 880	3.51	
	55	-	-	1 700	1.84	2 440	2.21	3 300	2.56	4 330	2.90	5 530	3.22	6 950	3.51	8 600	3.76	10 530	3.98	
MTZ036	35	2 270	1.69	3 250	1.98	4 450	2.27	5 900	2.55	7 610	2.82	9 630	3.07	11 990	3.31	14 700	3.52	17 810	3.70	
	45	1 630	1.67	2 490	2.01	3 530	2.35	4 780	2.69	6 250	3.03	8 000	3.35	10 040	3.67	12 410	3.97	15 130	4.24	
	55	-	-	1 750	2.00	2 620	2.40	3 660	2.80	4 900	3.20	6 370	3.60	8 100	3.99	10 120	4.38	12 460	4.75	
MTZ040	35	2 620	1.94	3 740	2.26	5 100	2.57	6 730	2.88	8 670	3.18	10 940	3.47	13 570	3.76	16 610	4.05	20 080	4.34	
	45	1 930	1.93	2 910	2.32	4 080	2.69	5 480	3.05	7 140	3.42	9 100	3.77	11 380	4.12	14 030	4.47	17 060	4.82	
	55	-	-	2 120	2.30	3 090	2.75	4 260	3.20	5 640	3.64	7 280	4.08	9 200	4.51	11 450	4.94	14 050	5.36	
MTZ044	35	3 050	2.28	4 230	2.64	5 690	3.00	7 480	3.35	9 640	3.68	12 210	3.98	15 230	4.23	18 740	4.44	22 800	4.58	
	45	1 850	2.25	2 900	2.65	4 180	3.05	5 730	3.46	7 600	3.86	9 820	4.25	12 450	4.60	15 520	4.92	19 070	5.18	
	55	-	-	1 820	2.47	2 840	2.94	4 080	3.43	5 590	3.92	7 400	4.41	9 560	4.88	12 110	5.32	15 090	5.74	
MTZ045	35	2 690	2.04	3 950	2.42	5 480	2.76	7 300	3.06	9 450	3.31	11 960	3.52	14 870	3.68	18 220	3.80	22 040	3.86	
	45	1 710	1.85	2 810	2.33	4 140	2.78	5 720	3.19	7 590	3.55	9 780	3.87	12 340	4.15	15 290	4.38	18 680	4.56	
	55	-	-	1 700	2.07	2 790	2.63	4 100	3.16	5 660	3.64	7 510	4.08	9 680	4.48	12 220	4.84	15 150	5.15	
MTZ050	35	3 690	2.64	5 060	3.05	6 730	3.46	8 760	3.86	11 170	4.23	14 020	4.57	17 350	4.87	21 200	5.10	25 620	5.27	
	45	2 340	2.62	3 560	3.07	5 030	3.53	6 800	3.99	8 900	4.45	11 380	4.89	14 290	5.29	17 650	5.66	21 530	5.97	
	55	-	-	2 310	2.90	3 500	3.43	4 930	3.99	6 640	4.55	8 680	5.10	11 070	5.64	13 880	6.15	17 130	6.62	
MTZ051	35	3 320	2.42	4 720	2.81	6 390	3.15	8 380	3.45	10 730	3.70	13 480	3.92	16 660	4.09	20 320	4.22	24 500	4.31	
	45	2 290	2.29	3 540	2.80	5 020	3.27	6 790	3.69	8 880	4.06	11 330	4.38	14 180	4.66	17 480	4.90	21 250	5.10	
	55	-	-	2 320	2.60	3 570	3.21	5 070	3.77	6 850	4.28	8 960	4.74	11 440	5.16	14 330	5.53	17 670	5.85	
MTZ056	35	4 050	2.89	5 630	3.36	7 530	3.84	9 790	4.30	12 440	4.75	15 530	5.16	19 090	5.53	23 160	5.83	27 780	6.07	
	45	2 570	2.88	4 000	3.40	5 690	3.93	7 680	4.47	10 010	5.01	12 710	5.52	15 830	6.01	19 400	6.45	23 460	6.84	
	55	-	-	2 590	3.21	3 990	3.83	5 630	4.46	7 550	5.11	9 780	5.76	12 370	6.39	15 360	6.99	18 770	7.56	
MTZ057	35	3 750	2.64	5 390	3.13	7 350	3.55	9 690	3.93	12 430	4.26	15 610	4.57	19 290	4.86	23 480	5.16	28 240	5.47	
	45	2 510	2.41	3 960	3.07	5 680	3.64	7 730	4.14	10 120	4.58	12 920	4.98	16 150	5.34	19 850	5.69	24 070	6.03	
	55	-	-	2 530	2.76	3 980	3.52	5 710	4.20	7 740	4.79	10 110	5.32	12 880	5.79	16 080	6.23	19 740	6.64	
MTZ064	35	4 780	3.20	6 540	3.76	8 640	4.31	11 130	4.86	14 040	5.38	17 420	5.86	21 320	6.30	25 750	6.66	30 780	6.95	
	45	3 140	3.18	4 740	3.77	6 620	4.39	8 820	5.01	11 390	5.63	14 370	6.22	17 790	6.78	21 700	7.29	26 130	7.74	
	55	-	-	3 110	3.58	4 680	4.28	6 520	5.00	8 660	5.73	11 140	6.46	14 000	7.17	17 290	7.85	21 050	8.48	
MTZ065	35	4 310	3.01	6 070	3.54	8 190	4.02	10 720	4.45	13 710	4.83	17 210	5.19	21 280	5.52	25 950	5.84	31 290	6.16	
	45	3 050	2.83	4 600	3.52	6 450	4.15	8 650	4.70	11 250	5.21	14 300	5.67	17 860	6.10	21 960	6.51	26 670	6.90	
	55	-	-	3 120	3.27	4 670	4.07	6 510	4.79	8 690	5.45	11 260	6.05	14 280	6.61	17 790	7.13	21 860	7.62	
MTZ072	35	5 640	3.78	7 540	4.32	9 820	4.88	12 520	5.44	15 690	6.00	19 380	6.55	23 630	7.08	28 490	7.58	34 000	8.03	
	45	3 820	3.87	5 540	4.45	7 580	5.07	9 980	5.70	12 780	6.35	16 040	7.01	19 780	7.65	24 070	8.28	28 950	8.89	
	55	-	-	3 730	4.37	5 440	5.06	7 440	5.79	9 780	6.55	12 510	7.33	15 660	8.12	19 290	8.90	23 440	9.68	
MTZ073	35	5 040	3.56	7 010	4.14	9 390	4.67	12 250	5.14	15 650	5.57	19 640	5.95	24 280	6.27	29 620	6.54	35 730	6.76	
	45	3 670	3.44	5 360	4.16	7 400	4.83	9 860	5.45	12 780	6.01	16 240	6.53	20 280	7.00	24 960	7.41	30 340	7.77	
	55	-	-	3 770	3.99	5 440	4.81	7 450	5.58	9 870	6.30	12 760	6.96	16 170	7.58	20 170	8.15	24 810	8.67	
MTZ080	35	6 420	4.33	8 560	4.99	11 100	5.66	14 120	6.35	17 640	7.02	21 710	7.69	26 390	8.32	31 720	8.91	37 750	9.45	
	45	4 470	4.39	6 410	5.09	8 700	5.83	11 370	6.60	14 470	7.38	18 060	8.16	22 180	8.93	26 870	9.67	32 180	10.38	
	55	-	-	4 420	4.99	6 340	5.82	8 560	6.69	11 150	7.59	14 140	8.52	17 590	9.45	21 540	10.37	26 030	11.28	
MTZ081	35	6 010	4.06	8 160	4.76	10 740	5.41	13 830	6.00	17 490	6.55	21 780	7.06	26 760	7.54	32 500	8.00	39 040	8.45	
	45	4 580	4.02	6 450	4.91	8 690	5.72	11 370	6.47	14 550	7.16	18 290	7.80	22 660	8.40	27 710	8.96	33 510	9.51	
	55	-	-	4 730	4.78	6 580	5.79	8 800	6.72	11 460	7.57	14 610	8.37	18 320	9.11	22 660	9.81	27 690	10.47	
MTZ100	35	6 350	4.91	9 000	5.70	12 190	6.39	15 990	6.97	20 470	7.46	25 710	7.88	31 780	8.21	38 760	8.48	46 710	8.68	
	45	4 390	4.61	6 700	5.63	9 450	6.54	12 720	7.35	16										



MTZ

PERFORMANCE DATA

R407C

Model	To Tc	-15		-10		-5		0		5		10		15	
		Qo	Pe	Qo	Pe	Qo	Pe	Qo	Pe	Qo	Pe	Qo	Pe	Qo	Pe
MTZ018	35	2 160	1.01	2 950	1.11	3 870	1.18	4 950	1.23	6 190	1.26	7 630	1.28	9 270	1.28
	45	1 690	1.03	2 420	1.20	3 260	1.32	4 250	1.42	5 380	1.49	6 680	1.54	8 170	1.57
	55	-	-	-	-	2 610	1.41	3 490	1.57	4 500	1.69	5 660	1.79	6 990	1.86
MTZ022	35	2 770	1.23	3 720	1.37	4 870	1.48	6 230	1.58	7 820	1.66	9 670	1.72	11 800	1.78
	45	2 320	1.32	3 170	1.52	4 170	1.68	5 340	1.82	6 710	1.93	8 290	2.02	10 120	2.10
	55	-	-	-	-	3 480	1.85	4 480	2.05	5 640	2.21	6 980	2.35	8 520	2.47
MTZ028	35	3 680	1.61	4 840	1.77	6 270	1.91	7 990	2.03	10 030	2.13	12 450	2.22	15 270	2.29
	45	3 160	1.77	4 190	1.96	5 430	2.14	6 910	2.30	8 680	2.45	10 760	2.58	13 190	2.71
	55	-	-	-	-	4 610	2.37	5 890	2.57	7 390	2.76	9 160	2.94	11 230	3.11
MTZ032	35	4 100	1.76	5 340	1.93	6 860	2.09	8 680	2.23	10 840	2.35	13 400	2.46	16 370	2.54
	45	3 590	1.94	4 700	2.17	6 030	2.37	7 620	2.57	9 510	2.74	11 730	2.89	14 320	3.02
	55	-	-	-	-	5 130	2.63	6 490	2.89	8 100	3.12	10 000	3.34	12 220	3.53
MTZ036	35	4 560	2.11	5 990	2.39	7 740	2.64	9 830	2.86	12 320	3.03	15 240	3.14	18 620	3.19
	45	3 900	2.21	5 130	2.54	6 630	2.86	8 450	3.15	10 620	3.41	13 180	3.63	16 160	3.80
	55	-	-	-	-	5 600	3.09	7 130	3.45	8 960	3.79	11 150	4.10	13 720	4.37
MTZ040	35	5 230	2.30	6 970	2.61	9 040	2.92	11 460	3.20	14 270	3.45	17 520	3.66	21 250	3.81
	45	4 310	2.45	5 890	2.81	7 740	3.18	9 890	3.54	12 400	3.90	15 290	4.23	18 610	4.52
	55	-	-	-	-	6 440	3.42	8 340	3.85	10 530	4.29	13 060	4.72	15 980	5.14
MTZ044	35	5 300	2.37	7 200	2.66	9 490	2.90	12 220	3.08	15 430	3.20	19 170	3.23	23 490	3.16
	45	4 350	2.55	6 060	2.91	8 130	3.24	10 590	3.52	13 480	3.76	16 870	3.93	20 780	4.02
	55	-	-	-	-	6 530	3.45	8 660	3.86	11 190	4.24	14 160	4.57	17 620	4.84
MTZ045	35	5 720	2.40	7 620	2.65	9 860	2.86	12 490	3.01	15 540	3.13	19 070	3.22	23 110	3.28
	45	4 540	2.47	6 290	2.87	8 360	3.20	10 770	3.46	13 580	3.67	16 830	3.83	20 560	3.95
	55	-	-	-	-	6 680	3.38	8 830	3.80	11 350	4.15	14 270	4.43	17 640	4.65
MTZ050	35	6 120	2.69	8 220	3.02	10 740	3.30	13 720	3.53	17 220	3.69	21 280	3.76	25 940	3.74
	45	5 040	2.88	6 940	3.28	9 210	3.66	11 910	4.00	15 070	4.29	18 740	4.51	22 980	4.65
	55	-	-	-	-	7 470	3.90	9 810	4.37	12 570	4.81	15 800	5.20	19 550	5.52
MTZ051	35	6 360	2.73	8 390	3.00	10 850	3.24	13 810	3.43	17 330	3.58	21 470	3.70	26 310	3.78
	45	5 310	2.92	7 120	3.32	9 300	3.66	11 910	3.95	15 010	4.19	18 660	4.38	22 940	4.53
	55	-	-	-	-	7 690	3.97	9 950	4.40	12 630	4.76	15 790	5.07	19 510	5.33
MTZ056	35	7 100	3.06	9 440	3.45	12 230	3.79	15 530	4.07	19 390	4.28	23 840	4.41	28 950	4.43
	45	5 870	3.27	7 990	3.74	10 520	4.17	13 500	4.57	16 990	4.92	21 020	5.20	25 660	5.39
	55	-	-	-	-	8 590	4.44	11 180	4.98	14 230	5.49	17 780	5.95	21 880	6.34
MTZ057	35	7 370	3.07	9 700	3.39	12 510	3.66	15 870	3.89	19 850	4.09	24 490	4.29	29 880	4.49
	45	6 050	3.24	8 120	3.69	10 610	4.07	13 580	4.40	17 100	4.69	21 230	4.96	26 040	5.22
	55	-	-	-	-	8 720	4.38	11 300	4.85	14 360	5.26	17 960	5.64	22 190	5.99
MTZ064	35	8 060	3.43	10 640	3.87	13 700	4.26	17 310	4.60	21 510	4.86	26 350	5.03	31 890	5.10
	45	6 670	3.66	9 020	4.18	11 800	4.67	15 060	5.13	18 860	5.54	23 250	5.87	28 280	6.13
	55	-	-	-	-	9 680	4.97	12 530	5.58	15 860	6.16	19 730	6.68	24 180	7.14
MTZ065	35	7 810	3.40	10 440	3.74	13 540	4.03	17 160	4.29	21 360	4.54	26 210	4.79	31 750	5.06
	45	6 620	3.64	9 050	4.14	11 880	4.56	15 170	4.93	18 970	5.27	23 340	5.58	28 350	5.89
	55	-	-	-	-	10 030	4.99	12 930	5.52	16 270	5.99	20 130	6.42	24 540	6.83
MTZ072	35	9 240	3.89	12 110	4.39	15 510	4.84	19 500	5.25	24 130	5.57	29 450	5.81	35 520	5.93
	45	7 670	4.13	10 290	4.72	13 370	5.29	16 990	5.82	21 180	6.30	26 010	6.71	31 520	7.03
	55	-	-	-	-	11 030	5.63	14 190	6.32	17 870	6.98	22 120	7.59	27 000	8.13
MTZ073	35	9 370	4.02	12 300	4.47	15 760	4.86	19 810	5.20	24 510	5.51	29 950	5.80	36 180	6.07
	45	7 840	4.25	10 560	4.88	13 750	5.43	17 480	5.91	21 800	6.33	26 800	6.70	32 530	7.03
	55	-	-	-	-	11 460	5.84	14 790	6.52	18 670	7.11	23 160	7.63	28 320	8.09
MTZ080	35	10 660	4.43	13 880	5.01	17 690	5.55	22 130	6.02	27 270	6.43	33 170	6.73	39 870	6.93
	45	8 870	4.70	11 810	5.38	15 260	6.03	19 290	6.65	23 950	7.22	29 300	7.71	35 400	8.11
	55	-	-	-	-	12 660	6.42	16 180	7.21	20 280	7.97	24 990	8.67	30 390	9.31
MTZ081	35	10 030	4.50	13 270	5.00	17 190	5.46	21 920	5.89	27 550	6.31	34 220	6.73	42 040	7.17
	45	8 480	4.80	11 490	5.47	15 000	6.08	19 130	6.63	23 990	7.15	29 710	7.63	36 400	8.10
	55	-	-	-	-	12 610	6.57	16 310	7.33	20 570	8.01	25 500	8.64	31 220	9.23
MTZ100	35	12 680	5.65	16 860	6.20	21 850	6.63	27 570	6.99	34 660	7.30	42 680	7.59	51 930	7.89
	45	10 390	5.95	14 170	6.79	18 630	7.47	23 870	8.02	30 010	8.48	37 140	8.88	45 370	9.25
	55	-	-	-	-	15 300	8.08	19 910	8.93	25 280	9.65	31 530	10.26	38 750	10.79
MTZ125	35	17 700	7.29	22 880	8.02	29 030	8.68	36 240	9.26	44 650	9.79	54 360	10.28	65 500	10.73
	45	14 650	7.78	19 270	8.75	24 670	9.63	30 960	10.42	38 260	11.15	46 680	11.82	56 340	12.45
	55	-	-	-	-	20 410	10.50	25 880	11.55	32 170	12.52	39 410	13.42	47 710	14.27
MTZ144	35	20 100	8.26	25 860	9.05	32 540	9.71	40 240	10.28	49 090	10.76	59 210	11.17	70 700	11.53
	45	16 610	8.78	21 990	9.90	28 140	10.88	35 190	11.73	43 240	12.47	52 430	13.11	62 860	13.68
	55	-	-	-	-	23 390	11.78	29 750	13.00	36 990	14.08	45 230	15.04	54 570	15.90
MTZ160	35	22 250	9.37	28 560	10.36	35 980	11.27	44 660	12.08	54 740	12.75	66 360	13.26	79 670	13.57
	45	18 680	9.98	24 390	11.22	31 060	12.42	38 850	13.54	47 890	14.57	58 320	15.46	70 290	16.19
	55	-	-	-	-	26 040	13.35	32 900	14.79	40 870	16.17	50 090	17.45	60 700	18.60
MTZ200	35	25 360	11.30	33 730	12.39	43 710	13.26	55 500	13.97	69 320	14.59	85 370	15.17	103 860	15.78
	45	20 770	11.91	28 330	13.57	37 250	14.93	47 750	16.04	60 020	16.96	74 290	17.76	90 740	18.49
	55	-	-	-	-	30 610	16.15	39 820	17.87	50 560	19.30	63 050	20.52	77 490	21.58
MTZ250	35	35 410	14.58	45 770	16.05	58 050	17.35	72 480	18.53	89 290	19.59	108 720	20.56	131 000	21.46
	45	29 310	15.57	38 550	17.50	49 340	19.26	61 910	20.85	76 510	22.31	93 360	23.65	112 680	24.90
	55	-	-	-	-	40 820	20.99	51 750	23.09	64 340	25.04	78 820	26.84	95	

## MTZ

## PERFORMANCE DATA

## R134a

Model	To Tc	-15			-10			-5			0			5			10			15			20		
		Qo	Pe		Qo	Pe		Qo	Pe		Qo	Pe		Qo	Pe		Qo	Pe		Qo	Pe		Qo	Pe	
MTZ018	35	1 400	0.70		1 850	0.77		2 430	0.83		3 150	0.87		4 030	0.90		5 080	0.91		6 320	0.90		7 780	0.85	
	45	1 070	0.73		1 480	0.82		2 010	0.91		2 670	0.99		3 470	1.06		4 440	1.12		5 600	1.16		6 960	1.17	
	55	750	0.67		1 110	0.80		1 570	0.93		2 150	1.05		2 870	1.17		3 750	1.28		4 810	1.38		6 060	1.46	
MTZ022	35	1 750	0.86		2 380	0.96		3 150	1.05		4 090	1.13		5 220	1.18		6 560	1.21		8 120	1.21		9 920	1.17	
	45	1 430	0.90		2 000	1.03		2 700	1.15		3 550	1.26		4 580	1.36		5 790	1.43		7 220	1.48		8 890	1.50	
	55	1 100	0.88		1 590	1.04		2 190	1.20		2 940	1.35		3 840	1.49		4 930	1.62		6 210	1.73		7 710	1.81	
MTZ028	35	2 350	1.10		3 190	1.26		4 190	1.40		5 340	1.51		6 680	1.60		8 220	1.65		9 960	1.67		11 930	1.63	
	45	1 890	1.14		2 680	1.32		3 600	1.50		4 670	1.66		5 900	1.80		7 320	1.91		8 940	1.98		10 770	2.02	
	55	1 420	1.12		2 130	1.34		2 960	1.56		3 920	1.78		5 040	1.97		6 330	2.15		7 800	2.30		9 470	2.41	
MTZ032	35	2 400	1.29		3 220	1.47		4 330	1.64		5 640	1.78		7 180	1.89		8 970	1.96		11 020	1.98		13 370	1.94	
	45	2 050	1.37		2 880	1.58		3 870	1.78		5 040	1.96		6 430	2.12		8 030	2.24		9 890	2.31		12 010	2.34	
	55	1 720	1.39		2 430	1.64		3 270	1.88		4 280	2.11		5 480	2.32		6 880	2.50		8 500	2.64		10 370	2.74	
MTZ036	35	3 220	1.48		4 250	1.71		5 470	1.92		6 910	2.11		8 580	2.26		10 520	2.37		12 730	2.43		15 240	2.44	
	45	2 580	1.53		3 530	1.79		4 660	2.04		5 980	2.27		7 530	2.47		9 310	2.64		11 350	2.77		13 680	2.84	
	55	1 980	1.50		2 830	1.80		3 840	2.10		5 030	2.38		6 420	2.65		8 030	2.89		9 880	3.09		12 000	3.24	
MTZ040	35	4 160	1.67		5 290	1.94		6 610	2.20		8 160	2.43		9 950	2.63		12 000	2.78		14 340	2.89		16 980	2.93	
	45	3 120	1.68		4 190	1.99		5 440	2.28		6 900	2.56		8 590	2.82		10 530	3.04		12 740	3.22		15 250	3.35	
	55	2 230	1.60		3 220	1.95		4 380	2.29		5 740	2.63		7 320	2.96		9 130	3.25		11 200	3.51		13 550	3.73	
MTZ044	35	3 530	1.82		4 780	2.03		6 340	2.21		8 270	2.38		10 600	2.52		13 390	2.63		16 670	2.71		20 500	2.73	
	45	2 840	1.90		3 950	2.14		5 350	2.37		7 080	2.60		9 190	2.81		11 730	3.00		14 730	3.15		18 240	3.27	
	55	2 220	1.85		3 160	2.14		4 360	2.44		5 860	2.74		7 710	3.03		9 950	3.30		12 630	3.56		15 790	3.78	
MTZ045	35	3 630	1.60		4 990	1.81		6 630	1.98		8 580	2.12		10 890	2.23		13 590	2.31		16 710	2.37		20 290	2.42	
	45	2 790	1.60		4 030	1.89		5 520	2.14		7 290	2.34		9 380	2.51		11 820	2.64		14 650	2.74		17 900	2.82	
	55	1 910	1.46		3 030	1.86		4 360	2.21		5 940	2.51		7 800	2.76		9 970	2.97		12 500	3.13		15 420	3.27	
MTZ050	35	4 190	2.06		5 640	2.30		7 420	2.53		9 570	2.73		12 130	2.91		15 140	3.05		18 650	3.14		22 690	3.18	
	45	3 400	2.14		4 720	2.43		6 330	2.71		8 280	2.97		10 600	3.22		13 350	3.44		16 560	3.63		20 280	3.77	
	55	2 660	2.11		3 800	2.45		5 200	2.80		6 910	3.14		8 960	3.47		11 400	3.79		14 280	4.08		17 630	4.33	
MTZ051	35	3 720	1.88		5 170	2.08		6 920	2.24		9 020	2.38		11 500	2.49		14 420	2.57		17 800	2.63		21 690	2.66	
	45	3 090	1.97		4 460	2.25		6 110	2.49		8 080	2.69		10 400	2.87		13 120	3.01		16 280	3.12		19 910	3.20	
	55	2 320	1.96		3 570	2.33		5 070	2.66		6 860	2.96		8 970	3.21		11 450	3.44		14 330	3.62		17 660	3.78	
MTZ056	35	4 720	2.23		6 340	2.50		8 280	2.76		10 580	3.00		13 280	3.21		16 410	3.37		20 010	3.48		24 130	3.53	
	45	3 870	2.32		5 350	2.64		7 120	2.95		9 220	3.25		11 680	3.53		14 550	3.78		17 860	3.99		21 640	4.14	
	55	3 040	2.30		4 340	2.68		5 900	3.06		7 750	3.44		9 940	3.81		12 500	4.16		15 470	4.47		18 890	4.75	
MTZ057	35	4 270	2.16		5 970	2.43		8 020	2.66		10 480	2.85		13 390	3.00		16 790	3.12		20 730	3.20		25 260	3.25	
	45	3 420	2.20		5 010	2.56		6 910	2.87		9 170	3.15		11 850	3.38		14 970	3.57		18 590	3.72		22 750	3.84	
	55	2 450	2.12		3 900	2.59		5 630	3.01		7 670	3.38		10 080	3.71		12 900	4.00		16 170	4.24		19 940	4.44	
MTZ064	35	5 720	2.61		7 670	2.95		9 950	3.27		12 620	3.56		15 710	3.81		19 250	4.02		23 280	4.16		27 830	4.23	
	45	4 730	2.71		6 520	3.10		8 620	3.48		11 070	3.85		13 900	4.19		17 150	4.49		20 850	4.74		25 050	4.93	
	55	3 720	2.72		5 310	3.17		7 180	3.63		9 360	4.08		11 890	4.52		14 810	4.93		18 140	5.30		21 930	5.62	
MTZ065	35	4 900	2.36		6 790	2.64		9 090	2.89		11 830	3.10		15 070	3.27		18 850	3.42		23 220	3.55		28 220	3.66	
	45	4 040	2.42		5 820	2.81		7 950	3.15		10 480	3.44		13 440	3.69		16 890	3.91		20 870	4.09		25 430	4.24	
	55	2 990	2.33		4 650	2.86		6 600	3.32		8 890	3.73		11 560	4.08		14 670	4.39		18 250	4.66		22 350	4.89	
MTZ072	35	6 490	2.83		8 620	3.21		11 100	3.58		13 960	3.93		17 240	4.26		20 970	4.56		25 170	4.82		29 900	5.03	
	45	5 330	2.96		7 320	3.38		9 630	3.81		12 290	4.24		15 330	4.65		18 790	5.04		22 710	5.41		27 100	5.73	
	55	4 060	2.97		5 870	3.46		7 970	3.96		10 390	4.48		13 160	4.99		16 320	5.49		19 890	5.97		23 920	6.42	
MTZ073	35	5 730	2.68		7 870	3.01		10 430	3.31		13 470	3.58		17 030	3.81		21 190	4.00		25 980	4.16		31 460	4.27	
	45	4 670	2.78		6 680	3.19		9 060	3.58		11 880	3.93		15 170	4.25		19 000	4.54		23 420	4.78		28 490	4.99	
	55	3 520	2.79		5 360	3.30		7 520	3.78		10 060	4.24		13 040	4.66		16 500	5.05		20 500	5.40		25 100	5.72	
MTZ080	35	7 480	3.32		9 870	3.75		12 660	4.18		15 870	4.60		19 540	5.00		23 720	5.37		28 430	5.71		33 710	6.00	
	45	6 170	3.47		8 400	3.94		10 970	4.43		13 940	4.92		17 330	5.40		21 190	5.87		25 540	6.31		30 420	6.71	
	55	4 850	3.51		6 850	4.05		9 180	4.61		11 850	5.19		14 910	5.76		18 390	6.33		22 330	6.89		26 770	7.42	
MTZ081	35	6 640	3.03		8 990	3.40		11 840	3.73		15 250	4.05		19 280	4.34		23 990	4.64		29 450	4.93		35 710	5.23	
	45	5 540	3.17		7 710	3.63		10 310	4.06		13 410	4.46		17 070	4.82		21 370	5.17		26 350	5.51		32 080	5.85	
	55	4 400	3.17		6 350	3.78		8 680	4.33		11 450	4.84		14 720	5.31		18 570	5.75		23 040	6.17		28 220	6.57	
MTZ100	35	7 830	3.68		10 730	4.18		14 210	4.63		18 360	5.01		23 240	5.29		28 930	5.46		35 490	5.50		43 000	5.37	
	45	6 010	3.80		8 650	4.37		11 810	4.92		15 570	5.41		20 010	5.83		25 200	6.16		31 200	6.36		38 090	6.43	
	55	4 280	3.73		6 570	4.41		9 330	5.08		12 640	5.72		16 560	6.29		21 170	6.80		26 540	7.20		32 730	7.48	
MTZ125	35	9 800	4.26		13 360	4.87		17 650	5.45		22 780	5.99		28 810	6.46		35 860	6.85		43 990	7.13		53 310	7.30	
	45	7 680	4.33		10 880																				



## DANFOSS

Compressors shipped with oil and under nitrogen pressure

Sold connections

These compressors are installed in 30RB and 30RQ units

Ordering Reference	Type	Capacity (L)	Suction sold connection size (inch)	Discharge sold connection size (inch)	Width X Length X Height (mm)	Weight (Kg)	Voltage (V)
00PPG000470903A	SH 240	6.2	1-5/8 ODF	1-1/8 ODF	345,4 X 370,8 X 650	107	400/3/50
00PPG000471003A	SH 300	8	1-5/8 ODF	1-1/8 ODF	345,4 X 370,8 X 684	141	400/3/50



## DANFOSS

Compressors shipped with oil and under nitrogen pressure

Working speed 2900 laps/min on 50Hz

Ordering Reference	Type	Capacity (L)	Suction sold connection size (inch)	Discharge sold connection size (inch)	Width X Length X Height (mm)	Weight (Kg)	Connection type	Voltage (V)
--DQ--12CA-001--EE	SZ110-4V	3.25	1-3/8	7/8	284 X 284 X 558	80,5	BRAZED	400/3/50
--DQ--12CA-002--EE	SZ120-4V	3.25	1-3/8	7/8	285 X 284 X 558	80,5	BRAZED	400/3/50
--DQ--12CA-003--EE	SZ115-4VA	3.8	1-3/8	7/8	284,2 X 369,1 X 581	80	BRAZED	400/3/50
--DQ--12CA-005--EE	SZ160-4CB	4	1-5/8	1-1/8	284,2 X 369,1 X 632	94	BRAZED	400/3/50
--DQ--12CA-006--EE	SZ185-4CA	6.2	1-5/8	1-1/8	345,4 X 370,8 X 678	103	BRAZED	400/3/50
--DQ--12CA-011--EE	SZ160-6CB	4	1-5/8	1-1/8	284,2 X 369,1 X 632	94	BRAZED	400/3/50
--DQ--12CA-012--EE	SZ185-6CA	6.2	1-5/8	1-1/8	345,4X370,8X678	103	BRAZED	230/3/50
--DQ--12CA-025--EE	SZ084-4V	3.25	1-1/8	3/4	284 X 284 X 508	71,5	BRAZED	400/3/50
--DQ--12CA-027--EE	SZ240-4AA	8	1-5/8	1-1/8	392 X 392 X 729	160	BRAZED	400/3/50
--DQ--12CA-028--EE	SZ300-4AA	8	1-5/8	1-1/8	393 X 392 X 740	160	BRAZED	400/3/50
--DQ--12CA-031--EE	SZ161TAVA	3.3	1-3/8	7/8	284 X 284 X 590	86	BRAZED	400/3/50
--DQ--12CA-032--EE	SZ185-4CB	6.2	1-5/8	1-1/8	345,4 X 370,8 X 678	103	BRAZED	400/3/50
--DQ--12CA-036--EE	SZ185-4PC	6.2	1-3/8	1-1/8	345,4 X 370,8 X 641,3	103	BRAZED	400/3/50
--DQ--12BA-070--EE	MTZ100 HS 4	3.9	1-1/8	3/4	446 X 446 X 500	69,5	ROTOLOCK	400/3/50
--DQ--12BA-072--EE	MTZ125 HU 4	3.9	1-1/8	3/4	446 X 446 X 500	71	ROTOLOCK	400/3/50
--DQ--12BA-074EE1	MTZ160 HW4	3.9	1-1/8	3/4	450 X 450 X 500	72	ROTOLOCK	400/3/50



## DANFOSS

Compressors shipped with oil and under nitrogen pressure,

Ordering Reference	Type	Capacity (litter)	Suction sold connection size (inch)	Discharge sold connection size (inch)	Width X Lenght X Hight (mm)	Weight (Kg)	Voltage (V)	Connection type
--DQ--12CA-015--EE	SM115-4CA	3.8	1-3/8	7/8	284,2 X 369,1 X 581	80	400/3/50	BRAZED
--DQ--12CA-017--EE	SM160-4CB	4	1-5/8	1-1/8	284,2 X 369,1 X 632	94	400/3/50	BRAZED
--DQ--12CA-018--EE	SM185-4CA	6.2	1-5/8	1-1/8	345,4 X 370,8 X 678	103	400/3/50	BRAZED
--DQ--12BA-005EE1	MT80 HP 4 SR	1.95	1-1/8 ODF	3/4 ODF	295 X 295 X 403	44	400/3/50	ROTOLOCK
--DQ--12BA-014EE1	MT160 HW 4	3.9 L	1-1/8 ODF	3/4 ODF	352 X 352 X 500	72	400/3/50	ROTOLOCK
--DQ--12BA-015EE1	MT100 HS 4	1.8 L	1-1/8 ODF	3/4 ODF	353 X 352 X 500	69,5	400/3/50	ROTOLOCK
--DQ--12BA-016EE1	MT64 HM4SR	0.95 L	7/8 ODF	3/4 ODF	NA	39,5	400/3/50	ROTOLOCK
--DQ--12BA-017EE1	MT32 JF4 SR	0.95 L	5/8 ODF	1/2 ODF	NA	26,5	400/3/50	ROTOLOCK
--DQ--12BA-018EE1	MT40 JH 4SR	1.8 L	5/8 ODF	1/2 ODF	NA	27.5	400/3/50	ROTOLOCK
--DQ--12BA-023EE1	MT56 HL 4 SR	3.9 L	7/8 ODF	3/4 ODF	NA	39	400/3/50	ROTOLOCK
--DQ--12BA-024EE1	MT125 HU 4SR	1.8 L	1-1/8 ODF	3/4 ODF	NA	71	400/3/50	ROTOLOCK
--DQ--12BA-027EE1	MT50 HK 4SR	0.95 L	7/8 ODF	3/4 ODF	NA	39	400/3/50	ROTOLOCK
--DQ--12BA-028EE1	MT36 JG 4SR	0.95 L	5/8 ODF	1/2 ODF	NA	27	400/3/50	ROTOLOCK
--DQ--12BA-030EE1	MT22 JC 4SR	0.95 L	1/2 ODF	3/8 ODF	NA	24,5	400/3/50	ROTOLOCK
--DQ--12BA-031EE1	MT28 JE 4SR	1.8 L	1/2 ODF	3/8 ODF	NA	25,5	400/3/50	ROTOLOCK



# DANFOSS COMPRESSORS SPARE PARTS

ERCD Reference	Type	Application	Valves set	Gaskets set	HEATERS					
					230V	WATTS	400V	WATTS	460V	WATTS
00PPG000470903A	120H0079	R410A	BRAZED	BRAZED	120Z0376	56	120Z0377	56	120Z0378	56
00PPG000471003A	120H0123	R410A	BRAZED	BRAZED	120Z0376	56	120Z0377	56	120Z0378	56
0370628H01	SZ084S4VAI	R407C	BRAZED	BRAZED	0351501H63	65	120Z0039	65	7773006	50
0370628H04	SZ160T4DBI	R407C	BRAZED	BRAZED	0351501H63	65	120Z0039	65	7773006	50
0370628H08	SZ160T6RBI	R407C	7703010	8156013	0351501H63	65	120Z0039	65	7773006	50
--DQ--12AL-001EE1	MTZ125-4VI	R404A/R134A/R407C	7703009	8156009	7773108	75	7773117	75	7773008	75
--DQ--12AL-005EE1	MTZ80-4VI	R404A/R134A/R407C	7703009	8156009	0351501H63	65	7773118	65	7773006	50
--DQ--12AL-007EE1	MTZ 50HK 4 VE	R404A/R134A/R407C	7703006	8156009	0351501H63	65	7773118	65	7773006	50
--DQ--12AL-008EE1	MTZ40-4VI	R404A/R134A/R407C	7703005	8156009	7773106	54	7773013	54	7773111	54
--DQ--12AL-009EE1	MTZ36-4VI	R404A/R134A/R407C	7703005	8156009	7773106	54	7773013	54	7773111	54
--DQ--12AL-012EE1	MTZ22-4VI	R404A/R134A/R407C	7703004	8156009	7773106	54	7773013	54	7773111	54
--DQ--12BA-005EE1	MT80-4VI	R22	7703009	8156009	0351501H63	65	7773118	65	7773006	50
--DQ--12BA-014EE1	MT160-4VI	R22	7703009	8156009	7773108	75	7773118	75	7773008	75
--DQ--12BA-015EE1	MT100-4VI	R22	7703009	8156009	7773108	75	7773118	75	7773008	75
--DQ--12BA-016EE1	MT64-4VI	R22	7703006	8156009	0351501H63	65	7773118	65	7773006	50
--DQ--12BA-017EE1	MT32-4VI	R22	7703005	8156009	7773106	54	7773013	54	7773111	54
--DQ--12BA-018EE1	MT40-4VI	R22	7703005	8156009	7773106	54	7773013	54	7773111	54
--DQ--12BA-023EE1	MT56-4VI	R22	7703006	8156009	0351501H63	65	7773118	65	7773006	50
--DQ--12BA-024EE1	MT125-4VI	R22	7703009	8156009	7773108	75	7773118	75	7773008	75
--DQ--12BA-027EE1	MT50-4VI	R22	7703006	8156009	0351501H63	65	7773118	65	7773006	50
--DQ--12BA-028EE1	MT36-4VI	R22	7703005	8156009	7773106	54	7773013	54	7773111	54
--DQ--12BA-031EE1	MT28-4VI	R22	7703004	8156009	7773106	54	7773013	54	7773111	54
--DQ--12BA-070--EE	MTZ100-4VI	R404A/R134A/R407C	7703009	8156009	7773108	75	7773118	75	7773008	75
--DQ--12BA-072--EE	MTZ125-4	R407C	7703009	8156009	7773108	75	7773118	75	7773008	75
--DQ--12BA-074EE1	MTZ160-4VI	R404A/R134A/R407C	7703009	8156009	7773108	75	7773118	75	7773008	75
--DQ--12CA-001--EE	SZ110-4VI	R407C	BRAZED	BRAZED	0351501H63	65	120Z0039	65	7773006	50
--DQ--12CA-002--EE	SZ120-4VI	R407C	BRAZED	BRAZED	0351501H63	65	120Z0039	65	7773006	50
--DQ--12CA-003--EE	SZ115-4CAI	R407C	BRAZED	BRAZED	0351501H63	65	120Z0039	65	7773006	50
--DQ--12CA-005--EE	SZ160-4CBI	R407C	BRAZED	BRAZED	0351501H63	65	120Z0039	65	7773006	50
--DQ--12CA-006--EE	SZ185-4CAI	R407C	BRAZED	BRAZED	7773108	75	7773118	75	7773015	75
--DQ--12CA-007--EE	SZ110-6VI	R407C	BRAZED	BRAZED	0351501H63	65	120Z0040	66	7773006	50
--DQ--12CA-009--EE	SZ115-6CAI	R407C	BRAZED	BRAZED	0351501H63	65	120Z0039	65	7773006	50
--DQ--12CA-011--EE	SZ160-6CBI	R407C	BRAZED	BRAZED	0351501H63	65	120Z0039	65	7773006	50
--DQ--12CA-012--EE	SZ185-6CAI	R407C	BRAZED	BRAZED	7773108	75	7773118	75	7773015	75
--DQ--12CA-014--EE	SM120-4VI	R22	BRAZED	BRAZED	0351501H63	65	120Z0039	65	7773006	50
--DQ--12CA-015--EE	SM115-4CAI	R22	BRAZED	BRAZED	0351501H63	65	120Z0039	65	7773006	50
--DQ--12CA-017--EE	SM160-4CBI	R22	BRAZED	BRAZED	0351501H63	65	120Z0039	65	7773006	50
--DQ--12CA-018--EE	SM185-4CAI	R22	BRAZED	BRAZED	7773108	75	7773118	75	7773015	75
--DQ--12CA-025--EE	SZ084-4VI	R407C	BRAZED	BRAZED	0351501H63	65	120Z0039	65	7773006	50
--DQ--12CA-027--EE	SZ240A4AAI	R407C	BRAZED	BRAZED	7773122	130	7773123	130	/	/
--DQ--12CA-028--EE	SZ300A4AAI	R407C	BRAZED	BRAZED	7773122	130	7773123	130	/	/
--DQ--12CA-031--EE	SZ161-4VAI	R407C	BRAZED	BRAZED	0351501H63	65	120Z0039	65	7773006	50
--DQ--12CA-032--EE	SZ185-4CBI	R407C	BRAZED	BRAZED	7773108	75	7773118	75	7773015	75
--DQ--12CA-033--EE	SZ185-4RI	R407C	7703010	8156013	7773108	75	7773118	75	7773015	75
--DQ--12CA-035--EE	SZ160-4RAI	R407C	7703010	8156013	0351501H63	65	120Z0039	65	7773006	50
--DQ--12CA-036--EE	SZ185-4PCI	R407C	BRAZED	BRAZED	7773108	75	7773118	75	7773015	75
--DQ--12CA-037--EE	SM161-4VAI	R22	BRAZED	BRAZED	0351501H63	65	120Z0039	65	7773006	50
--DQ--12CA-038--EE	SM185-4PCI	R22	BRAZED	BRAZED	7773108	75	7773118	75	7773015	75
MTZ64HM4VE	MTZ64-4VI	R404A/R134A/R407C	7703006	8156009	0351501H63	65	7773118	65	7773006	50
SM185S4RA	SM185-4RI	R22	7703010	8156013	7773108	75	7773118	75	7773015	75

For other codes, please consult us

[www.carrier-ercd.com](http://www.carrier-ercd.com)

# DANFOSS COMPRESSORS SPARE PARTS

Reference ERCD	ERCD Oil Reference (2L drum)	Oil type	Sleeve / Acoustic cover	Mounting Kit (4 rubber Grommets, 4 sleeves, 4 bolts, 4 washers)	Terminal Box Kit
00PPG000470903A	7754024	160SZ	/	7777045	/
00PPG000471003A	7754024	160SZ	/	7777045	/
0370628H01	7754024	160SZ	7755011	8156138	8156135
0370628H04	7754024	160SZ	7755008	8156138	8156139
0370628H08	7754024	160SZ	7755008	8156138	8156139
--DQ--12AL-001EE1	7754020	160PZ	7755003	8156007	8156135
--DQ--12AL-005EE1	7754020	160PZ	7755002	8156001	8156134
--DQ--12AL-007EE1	7754020	160PZ	7755002	8156001	8156134
--DQ--12AL-008EE1	7754020	160PZ	7755001	8156001	8156134
--DQ--12AL-009EE1	7754020	160PZ	7755001	8156001	8156134
--DQ--12AL-012EE1	7754020	160PZ	7755001	8156001	8156134
--DQ--12BA-005EE1	7754001	160P	7755002	8156001	8156134
--DQ--12BA-014EE1	7754001	160P	7755003	8156007	8156135
--DQ--12BA-015EE1	7754001	160P	7755003	8156007	8156135
--DQ--12BA-016EE1	7754001	160P	7755002	8156001	8156134
--DQ--12BA-017EE1	7754001	160P	7755001	8156001	8156134
--DQ--12BA-018EE1	7754001	160P	7755001	8156001	8156134
--DQ--12BA-023EE1	7754001	160P	7755002	8156001	8156134
--DQ--12BA-024EE1	7754001	160P	7755003	8156001	8156135
--DQ--12BA-027EE1	7754001	160P	7755002	8156001	8156134
--DQ--12BA-028EE1	7754001	160P	7755001	8156001	8156134
--DQ--12BA-031EE1	7754001	160P	7755001	8156001	8156134
--DQ--12BA-070--EE	7754001	160P	7755003	8156007	8156135
--DQ--12BA-072--EE	7754020	160PZ	7755003	8156007	8156135
--DQ--12BA-074EE1	7754020	160PZ	7755003	8156007	8156135
--DQ--12CA-001--EE	7754024	160SZ	7755010	8156138	8156135
--DQ--12CA-002--EE	7754024	160SZ	7755010	8156138	8156135
--DQ--12CA-003--EE	7754024	160SZ	7755009	8156146	8156139
--DQ--12CA-005--EE	7754024	160SZ	7755008	8156138	8156139
--DQ--12CA-006--EE	7754024	160SZ	7755007	8156138	8156139
--DQ--12CA-007--EE	7754024	160SZ	7755010	8156138	8156135
--DQ--12CA-009--EE	7754024	160SZ	7755009	8156146	8156139
--DQ--12CA-011--EE	7754024	160SZ	7755008	8156138	8156139
--DQ--12CA-012--EE	7754024	160SZ	7755007	8156138	8156139
--DQ--12CA-014--EE	7754001	160P	7755010	8156138	8156135
--DQ--12CA-015--EE	7754001	160P	7755009	8156146	8156139
--DQ--12CA-017--EE	7754001	160P	7755008	8156138	8156139
--DQ--12CA-018--EE	7754001	160P	7755007	8156138	8156139
--DQ--12CA-025--EE	7754024	160SZ	7755011	8156138	8156135
--DQ--12CA-027--EE	7754024	160SZ	7755016	8156144	12020458
--DQ--12CA-028--EE	7754024	160SZ	7755016	8156144	12020458
--DQ--12CA-031--EE	7754024	160SZ	7755017	8156138	8156135
--DQ--12CA-032--EE	7754024	160SZ	7755007	8156138	8156139
--DQ--12CA-033--EE	7754024	160SZ	7755007	8156138	8156139
--DQ--12CA-035--EE	7754024	160SZ	7755008	8156138	8156139
--DQ--12CA-036--EE	7754024	160SZ	7755007	8156138	8156139
--DQ--12CA-037--EE	7754001	160P	7755017	8156138	8156135
--DQ--12CA-038--EE	7754001	160P	7755007	8156138	8156139
MTZ64HM4VE	7754020	160PZ	7755002	8156001	8156134
SM185S4RA	7754001	160P	7755007	8156138	8156139

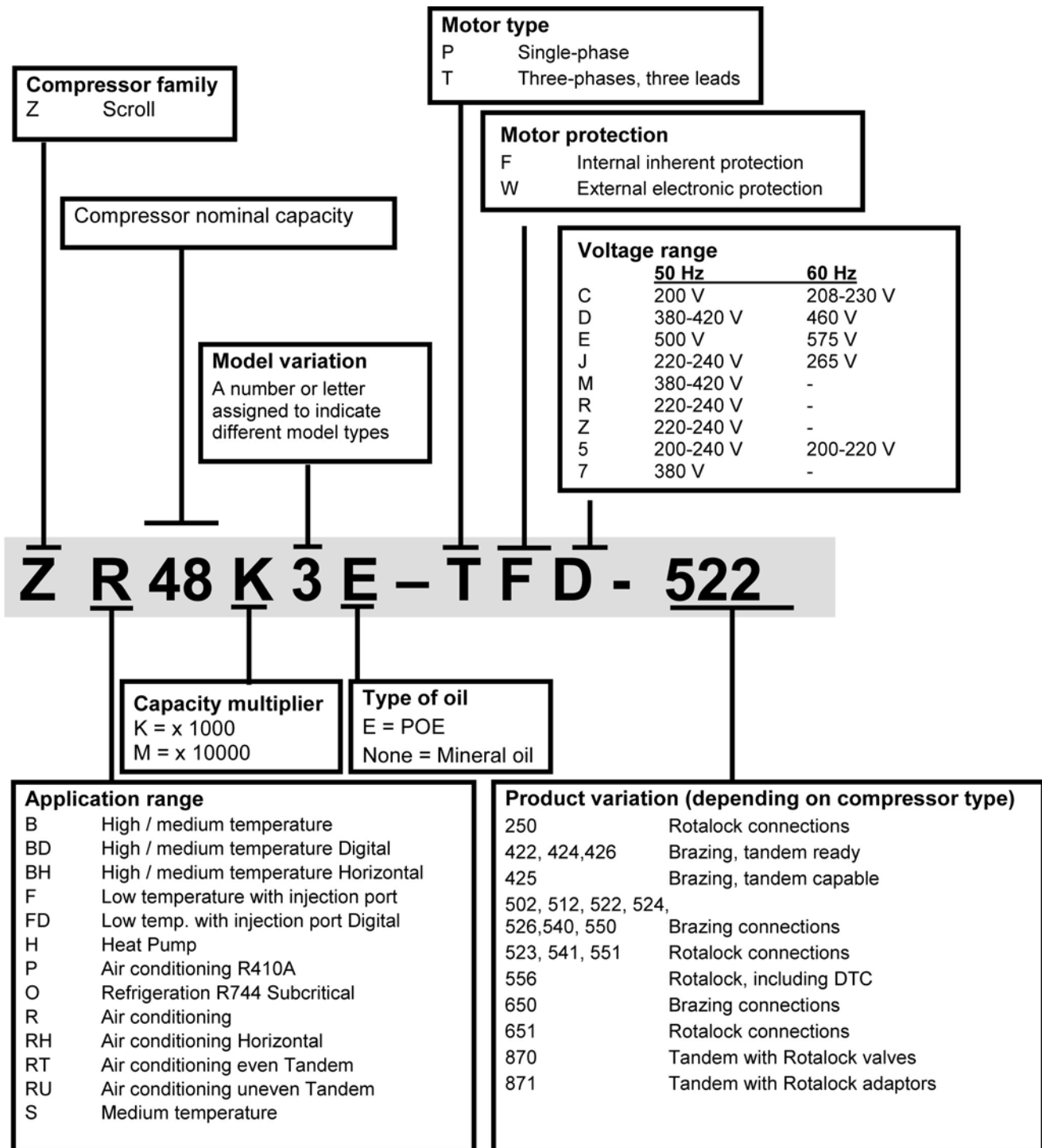
Compressors

For other codes, please consult us



## COPELAND

Model designation





## COPELAND

Compressors shipped with oil and under nitrogen pressure

Working speed 2900 laps/min 50 Hz

Ordering reference	Type	Capacity (L)	Suction sold connection size (inch)	Discharge sold connection size (inch)	Width X Length X Height (mm)	Voltage (V)	Gasket
00PPG000461400A	ZP90KQ1-TFD-604	2,7	1-1/8	7/8	264 X 284 X 476	400	DOUBLE
00PPG000461500A	ZP103KQ1E-TFD-604	3,4	1-3/8	7/8	264 X 284 X 533	380-420	DOUBLE
00PPG000461600A	ZP120KQ1E-TFD-604	3,2	1-3/8	7/8	285 X 293 X 533	380-420	DOUBLE
00PPG000461700A	ZP137KQ1E-TFD-604	3,4	1-3/8	7/8	264 X 284 X 533	380-420	DOUBLE
00PPG000461800A	ZP154KQ1-TFD-604	3,4	1-3/8	7/8	264 X 284 X 552	380-420	DOUBLE
00PPG000461900A	ZP182KQ1-TFD-604	3,4	1-3/8	7/8	264 X 284 X 552	380-420	DOUBLE
0370620H07	ZP23K3ETFD	1,1	3/4	1/2	242 X 242 X 362	380-420	/
0370620H08	ZP26K3ETFD	1,1	3/4	1/2	242 X 242 X 362	380-420	/
0370620H16	ZP26K3E-PFJ-522	1,1	3/4	1/2	242 X 242 X 362	220 - 240	/
0370620H25	ZP32K3E-TFD-522	1,2	3/4	1/2	242 X 242 X 384	400	/
0370620H26	ZP36K3ETFD	1,2	7/8	1/2	242 X 242 X 421	380-420	/
0370620H27	ZP41K3ETFD	1,2	3/4	1/2	242 X 242 X 397	380-420	/
0370620H28	ZP54K3ETFD	2	7/8	1/2	242 X 242 X 440	380-420	/
0370620H29	ZP32K3E-PFJ-522	1,2	3/4	1/2	242 X 242 X 384	220 - 240	/
0370620H30	ZP41K3E-PFJ-522	1,2	3/4	1/2	242 X 242 X 397	220 - 240	/
0370620H32	ZP23K3E-PFJ-522	1,1	3/4	1/2	242 X 242 X 362	220 - 240	/
0370620H58	ZR72KCE-TF5	1,8	7/8	1/2	245 X 249 X 440	200-240	SINGLE
0370620H61	ZP120KCE-TFD	3,2	1-3/8	7/8	285 X 293 X 533	380-420	SINGLE
0370620H63	ZP90-KCE-TFD	2,7	1-3/8	7/8	264 X 284 X 476	400	SINGLE
0370620H64	ZP72KCE-TFD-522	1,8	7/8	1/2	245 X 249 X 440	400	SINGLE
0370620H65	ZP137-KCE-TFD	3,4	1-3/8	7/8	264 X 284 X 533	380-420	SINGLE



## COPELAND

Compressors shipped with oil and under nitrogen pressure

Working speed 2900 laps/min 50 Hz

Ordering reference	Type	Capacity (L)	Suction sold connection size (inch)	Discharge sold connection size (inch)	Width X Length X Height (mm)	Voltage (V)
0370620H68	ZH13KVE-PFJ-526	1,9	7/8	1/2	244 X 241 X 438	220-240
0370620H69	ZH13KVE-TFD-526	1,9	7/8	1/2	244 X 241 X 438	380-420
0370620H70	ZH18KVE-TFD-526	1,9	7/8	1/2	244 X 241 X 438	380-420
00PPG000459300A	ZH24KVE-TWD-52X	4	1-3/8	7/8	366 X 321 X 525	380-420
00PPG000459400A	ZH33KVE-TWD-52X	4	1-3/8	7/8	368 X 321 X 525	380-420
00PPG000459500A	ZH40KVE-TWD-52X	4	1-3/8	7/8	368 X 321 X 532	380-420
00PPG000459600A	ZH48KVE-TWD-52X	4,1	1-5/8	1-1/8	368 X 323 X 579	380-420
--DQ--12AG-001--EE	ZR11M3E-TWD-5	4,1	1-3/4	1-1/4	319 X 357 X 544	380-420
--DQ--12EB-004--EE	ZR16M3ETWD561	4	1-3/4 ROTALOCK	1-1/4 ROTALOCK	319 X 357 X 550	400/3/50
--DQ--12EB-001--EE	ZR90K3ETWD561	4	1-3/4 ROTALOCK	1-1/4 ROTALOCK	319 X 357 X 542	400/3/50

## COMPRESSORS / COPELAND R22 HERMETICS COMPRESSORS



## COPELAND

Compressors shipped with oil and under nitrogen pressure

Working speed 2900 laps/min 50 Hz

Ordering reference	Type	Capacity (L)	Suction sold connection size (inch)	Discharge sold connection size (inch)	Width X Length X Height (mm)	Voltage (V)	Gasket
0370620H14	ZR61KCE-TFD-522	1,7	7/8	1/2	241 X 247 X 451	400	SIMPLE
ZR94KCETFD-522	ZR94KCE-TFD-425	2,7	1-1/8	7/8	264 X 285 X 476	400	SIMPLE



COPELAND COMPRESSORS SPARE PARTS

Compressors

Référence	Type	Application	Rotalock valves set with suction and discharge sold connection	HEATERS						ERCD Oil Reference	Sleeve - acoustic cover
				240V	WATTS	120V	WATTS	480V	WATTS		
--DQ--12AG-001--EE	8508326 ZR11M3E-TWD-5	R22	8502282	8561069	70	8556949	70	8561070	70	RL32-3MAF	8540519 - 8559073 - 8559380
0370620H14	ZR61KCE-TFD-522	R22	8025772	8561105	70	8561116	70	8561092	70	RL32-3MAF	8540508
ZR94KCE-TFD-522	ZR94KCE-TFD-425	R22	8401378	8561025	90	8561014	90	8561036	90	RL32-3MAF	8608895 - 8609149
0370620H68	ZH13KVE-PFJ-526	R407C	8034883	8561105	70	8561116	70	8561092	70	RL32-3MAF	8540508
0370620H69	ZH13KVE-TFD-526	R407C	8034883	8561105	70	8561116	70	8561092	70	RL32-3MAF	8540508
0370620H70	ZH18KVE-TFD-526	R407C	8034883	8561105	70	8561116	70	8561092	70	RL32-3MAF	8540508
00PPG000459200A	ZH18KVE-TFD-52X	R407C	8034883	8561105	70	8561116	70	8561092	70	RL32-3MAF	8540519 - 00PPG000459900A - 8559062
00PPG000459300A	ZH24KVE-TWD-52X	R407C	6309545	8561069	70	/	/	8561070	70	RL32-3MAF	8540519 - 8559380 - 8559073
00PPG000459400A	ZH33KVE-TWD-52X	R407C	6309545	8561069	70	/	/	8561070	70	RL32-3MAF	8540519 - 8559380 - 8559073
00PPG000459500A	ZH40KVE-TWD-52X	R407C	6309545	8561069	70	/	/	8561070	70	RL32-3MAF	8540519 - 8559380 - 8559073
00PPG000459600A	ZH48KVE-TWD-52X	R407C	8511928	8561069	70	/	/	8561070	70	RL32-3MAF	8540519 - 00PPG000459900A - 8559062
00PPG000461500A	ZP103KQ1E-TFD-604	R410A	8547021	8561025	90	8561014	90	8561036	90	RL32-3MAF	8608908 - 8609150
0370620H61	ZP120KCE-TFD	R410A	8547021	8561025	90	8561014	90	8561036	90	RL32-3MAF	8608908 - 8609150
00PPG000461600A	ZP120KQ1E-TFD-604	R410A	8547021	8561025	90	8561014	90	8561036	90	RL32-3MAF	8608908 - 8609150
0370620H65	ZP137-KCE-TFD	R410A	8547021	8561025	90	8561014	90	8561036	90	RL32-3MAF	8608908 - 8609150
00PPG000461700A	ZP137KQ1E-TFD-604	R410A	8547021	8561025	90	8561014	90	8561036	90	RL32-3MAF	8608908 - 8609150
00PPG000461800A	ZP154KQ1-TFD-604	R410A	8547021	8561025	90	8561014	90	8561036	90	RL32-3MAF	8608919 - 8609161
00PPG000461900A	ZP182KQ1-TFD-604	R410A	8547021	8561025	90	8561014	90	8561036	90	RL32-3MAF	8608919 - 8609161
0370620H07	ZP23K3ETFD	R410A	8025772	8561105	70	8561116	70	8561092	70	RL32-3MAF	8537155
0370620H16	ZP26K3E-PFJ-522	R410A	8025772	8561105	70	8561116	70	/	/	RL32-3MAF	8537155
0370620H08	ZP26K3ETFD	R410A	8025772	8561105	70	8561116	70	8561092	70	RL32-3MAF	8537155
0370620H29	ZP32K3E-PFJ-522	R410A	8025772	8561105	70	8561116	70	/	/	RL32-3MAF	8537155
0370620H25	ZP32K3E-TFD-522	R410A	8025772	8561105	70	8561116	70	8561092	70	RL32-3MAF	8537155
0370620H30	ZP41K3E-PFJ-522	R410A	8025772	8561105	70	8561116	70	/	/	RL32-3MAF	8537155
0370620H27	ZP41K3ETFD	R410A	8025772	8561105	70	8561116	70	8561092	70	RL32-3MAF	8537155
0370620H28	ZP54K3ETFD	R410A	8025772	8561105	70	8561116	70	8561092	70	RL32-3MAF	8540508
0370620H63	ZP90-KCE-TFD	R410A	8401378	8561025	90	8561014	90	8561036	90	RL32-3MAF	8608895
00PPG000461400A	ZP90KQ1-TFD-604	R410A	8401378	8561025	90	8561014	90	8561036	90	RL32-3MAF	8608895
--DQ--12EB-004--EE	ZR16M3ETWD561	R407C	6309545	8561069	70	8556949	70	8561070	70	RL32-3MAF	8540519 - 8559073 - 8559380
--DQ--12EB-001--EE	ZR90K3ETWD561	R407C	6309534	8561069	70	8556949	70	8561070	70	RL32-3MAF	8540519 - 8559073 - 8559380
--DQ--12ED-001--EE	ZR61KCE TFD 522	R407C	8025772	8561105	70	8561116	70	8561092	70	RL32-3MAF	8540508
0370620H32	ZP23K3E-PFJ-522	R410A	8025772	8561105	70	8561116	70	/	/	RL32-3MAF	8537155
0370620H26	ZP36K3ETFD	R410A	8025772	8556234	40	8561138	40	8556256	40	RL32-3MAF	8537155

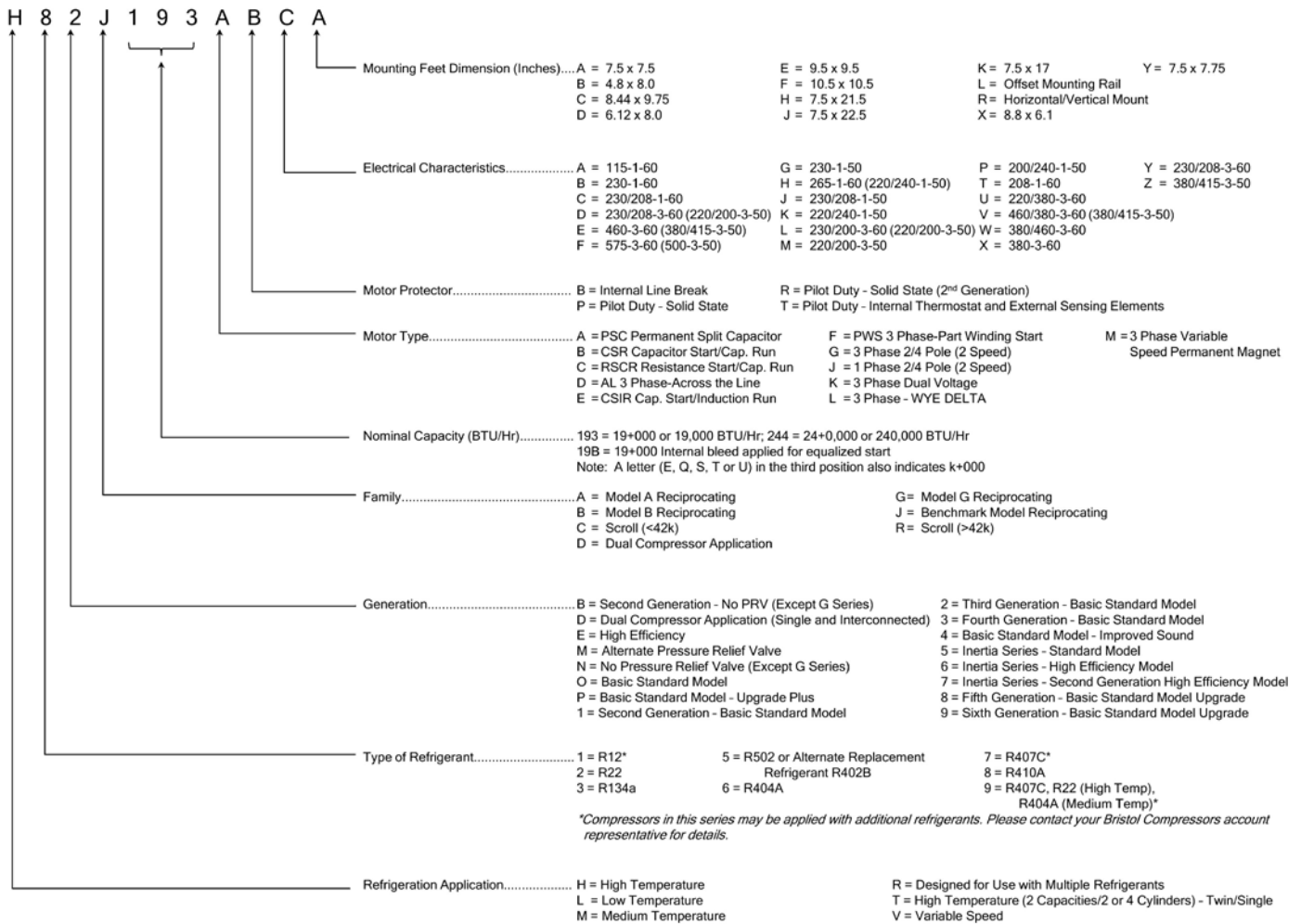
For other codes, please consult us



## BRISTOL

### Model designation

#### COMPRESSOR MODEL NUMBER SYSTEM





## BRISTOL

Gasket set is included in the valves set

Ordering reference	Valves set				Heaters				Oil
	SUCTION		DISCHARGE		230V	WATT	400V	WATT	
H29B30UABHA	BRASÉ	NC	BRASÉ	NC	CH280	40	NC	100	SUNISO 3GS
H2EB293ABK	BRASÉ	NC	BRASÉ	NC	CH280	40	NC	100	SUNISO 3GS
H29B17UABH	BRASÉ	NC	BRASÉ	NC	CH281	40	NC	100	SUNISO 3GS
H2EB223ABK	BRASÉ	NC	BRASÉ	NC	CH282	40	NC	100	SUNISO 3GS
H2EB243ABK	BRASÉ	NC	BRASÉ	NC	CH283	40	NC	100	SUNISO 3GS
H23A623DBE	BRASÉ	NC	BRASÉ	NC	CH134	40	NC	100	SUNISO 3GS
H29A723DBV	BRASÉ	NC	BRASÉ	NC	CH134	40	NC	100	SUNISO 3GS
H2BG124DBE	ROTA LOCK	1"3/4 - 1"1/8	ROTA LOCK	1"1/4 - 7/8"	CH167	70	NC	100	ZEROL 150T
H25G144DBE	ROTA LOCK	1"3/4 - 1"1/8	ROTA LOCK	1"1/4 - 7/8"	CH167	70	NC	100	ZEROL 150T
H2NG184DPE	ROTA LOCK	1"3/4 - 1"5/8	ROTA LOCK	1"1/4 - 1" 1/8	CH147	100	CH147	100	ZEROL 150T
H2NG204DRE	ROTA LOCK	1"3/4 - 1"5/8	ROTA LOCK	1"1/4 - 1" 1/8	CH147	100	CH147	100	ZEROL 150T
H2NG244DRE	ROTA LOCK	1"3/4 - 1"5/8	ROTA LOCK	1"1/4 - 1" 1/8	CH147	100	CH147	100	ZEROL 150T
H2NG294DPE	ROTA LOCK	1"3/4 - 1"5/8	ROTA LOCK	1"1/4 - 1" 1/8	CH147	100	CH147	100	ZEROL 150T



## BRISTOL

Gasket set is included in the valves set

Ordering reference	Valves set				Heaters				Oil
	suction		discharge		230V	WATT	400V	WATT	
H73A383DBE	BRASÉ OU ROTALOCK	1"1/4 - 7/8"	BRASÉ OU ROTALOCK	1" - 1/2"	CH134	40	NC	NC	HATCOL 22BC
H73A423DBE	BRASÉ OU ROTALOCK	1"1/4 - 7/8"	BRASÉ OU ROTALOCK	1" - 1/2"	CH134	40	NC	NC	HATCOL 22BC
H73A623DBE	BRASÉ OU ROTALOCK	1"1/4 - 7/8"	BRASÉ OU ROTALOCK	1" - 1/2"	CH134	40	NC	NC	HATCOL 22BC
H79A723DBV	BRASÉ OU ROTALOCK	1"1/4 - 7/8"	BRASÉ OU ROTALOCK	1" - 1/2"	CH134	40	NC	NC	HATCOL 22BC
H7BG124DBE	ROTA LOCK	1"3/4 - 1"1/8	ROTA LOCK	1"1/4 - 7/8"	CH167	70	NC	NC	HATCOL 22A
H75G144DBE	ROTA LOCK	1"3/4 - 1"1/8	ROTA LOCK	1"1/4 - 7/8"	CH167	70	NC	NC	HATCOL 22A
H7NG184DPE	ROTA LOCK	1"3/4 - 1"5/8	ROTA LOCK	1"1/4 - 1" 1/8	CH147	100	CH147	100	HATCOL 22A
H7NG204DRE	ROTA LOCK	1"3/4 - 1"5/8	ROTA LOCK	1"1/4 - 1" 1/8	CH147	100	CH147	100	HATCOL 22A
H7NG244DRE	ROTA LOCK	1"3/4 - 1"5/8	ROTA LOCK	1"1/4 - 1" 1/8	CH147	100	CH147	100	HATCOL 22A
H7NG294DPE	ROTA LOCK	1"3/4 - 1"5/8	ROTA LOCK	1"1/4 - 1" 1/8	CH147	100	CH147	100	HATCOL 22A

EQUIVALENCES BOARD FOR HERMETICS  
COMPRESSORS - MEDIUM AND HIGH TEMPERATURE  
R407C FROM 1CV TO 25CV

CV	BRISTOL	P. Froid (W)	U H	MANEUROP
<b>Single Phased</b>				
1,50	H79B17UABH	3 630	-	MTZ 18-5
1,50	H79B20UABH	4 297	AJ5518 C	MTZ 18-5
2,00	H79B24UABH	5 070	FH5524 C	-
2,25	H79B28UABH	5 996	FH5528 C	MTZ 28-5
2,50	H79B32UABH	6 863	-	MTZ 32-5
3,00	H73A383ABK	8 092	FH5538 C	MTZ 36-5
3,25	H73A423ABK	8 739	FH5542 C	-
<b>Three-Phased</b>				
2,00	H79B22UDBV	4 957	-	MTZ 22-4
2,25	H79B28UDBV	5 967	-	MTZ 28-4
2,50	H79B33UDBV	7 100	-	MTZ 32-4
3,00	H73A383DBE	7 843	TFH5538 C	MTZ 36-4
3,25	H73A423DBE	8 792	TAG5546 C	MTZ40-4
3,50	H73A463DBE	9 686	TFH5542 C	MTZ 44-4
4,00	H73A503DBE	10 543	TAG5553 C	MTZ 50-4
	H73A543DBE	11 483	-	MTZ 56-4
4,50	H73A623DBE	12 925	TAG5561 C TAG5568 C	MTZ 64-4
6,00	H79A723DBV	17 434	TAG5573 C	MTZ 72-4 / MTZ80-4
9,00	H7BG104DBE	22 855	-	MTZ 100-4
10,00	H7BG124DBE	26 659	-	MTZ 125-4
12,00	H75G144DBE	31 472	-	MTZ 144-4 / MTZ 160-4



## Compressor Model Number Significance 06D COMPRESSORS

06DR 3 37 0 D A 36 5 A - (RP)\*\*

Model = 0, Package = 1 or 9, A = Shipped Without Oil

Suction Cut-Off Unloading Designation for 06DR, DM Compressors:

- 0 = All Models Except as Noted
- 5 = No Oil
- 7 = 1 Unloader, Suction Cutoff, Oil-less (DR, DM Only)
- 8 = 2 Unloaders

Electrical Characteristics (XL Start Only, Unless Noted):

High Efficiency Models	Standard Efficiency Models	
31 = 575-3-60	01 = 575-3-60	12 = 208/230-3-60
32 = 208/230-3-60	04 = 200-3-60	13 = 380-3-60
33 = 208/230-1-60	05 = 230-3-60	14 = 200-3-60 (PW)
34 = 220-3-50	06 = 400/460-3-50/60	15 = 230-3-60 (PW)
36 = 400/460-3-50/60	08 = 220-3-50	18 = 220-3-50 (PW)

Electrical Variables:

- A = With Internal Thermostat and External Overloads
- C = With Internal Thermostat and Without External Overloads

Suction Service Valve – Variables:

- Location, Orientation and Mounting Bolts

Compressor Identification Key:

- 0 = New Compressor
- 2 = New Compressor
- 3 = New Compressor
- 6 = Service Compressor, Remanufactured
- 7 = Service Compressor, New Manufactured
- 8 = New Compressor, Special
- 9 = Service Compressor, Special

Displacement (CFM at 1750 rpm)

Motor Size – (Does Not Signify Horsepower)

Compressor Type:

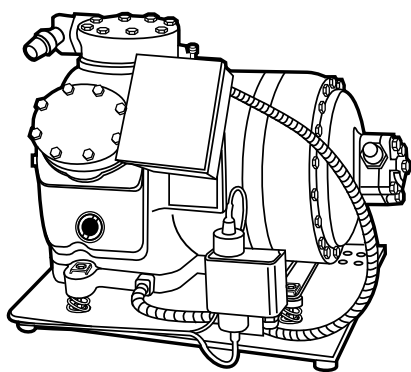
- |                              |               |                             |
|------------------------------|---------------|-----------------------------|
| 06DA = Compressor – A/C Duty | No Unloading  | } Hot Gas Bypass Unloading  |
| 06DB = Compressor – A/C Duty | 1-Step Elec.  |                             |
| 06DC = Compressor – A/C Duty | 2-Step Elec.  | } Suction Cut-Off Unloading |
| 06DD = Compressor – A/C Duty | 1-Step Press. |                             |
| 06DE = Compressor – A/C Duty | 2-Step Press. | } Suction Cut-Off Unloading |
| 06DF = Compressor – A/C Duty | 1-Step Elec.  |                             |
| 06DG = Compressor – A/C Duty | 2-Step Elec.  | } Suction Cut-Off Unloading |
| 06DH = Compressor – A/C Duty | 1-Step Press. |                             |
| 06DJ = Compressor – A/C Duty | 2-Step Press. |                             |
- 06DM = Compressor Refrig. Duty Medium Temperature
  - 06DR = Compressor Refrig. Duty Low Temperature
  - 06DM = Service Compressor – Replacement for new 06DA, DM without Unloading
  - 06DS = Service Compressor – Replacement for new 06DF,G,H and J with suction cut-off unloading. Compressor has 1-Stage suction cut-off unloading
  - 06DX = Service Compressor – Replacement for new 06DB, C, D, and E with hot gas (bypass) unloading. Compressor has 1-stage of bypass unloading



CARLYLE

06D Compressors technical datas

**06D CARLYLE SEMI-HERMETIC COMPRESSORS**  
**AIR CONDITIONING DUTY COMPRESSOR APPLICATION DATA**



MODEL NO.	NOMINAL HP	NO. OF CYL.	CFM @ 1750 RPM	SUCTION TEMP. RANGE (°F)	R-22	
					CAPACITY (000 BTUH)	
					AIR COOLED 45° SST 130° SCT 0° SC	WATER COOLED 40° SST 105° SCT 0° SC
06DM808	3	2	8.0	-10 to 50	36.7	39.8
06D( )313	5	4	13.1	-10 to 50	56.9	62.7
06D( )818	6.7	6	18.3	-10 to 50	83.3	91.0
06D( )724	6.7	6	23.9	-10 to 50	-	122.6
06D( )824	8	6	23.9	-10 to 50	106.5	117.3
06D( )328	10	6	28.0	-10 to 50	128.7	140.0
06D( )337	10	6	37.1	-10 to 50	-	185.6
06D( )537	15	6	37.1	-10 to 50	175.4	191.3

For other codes, please consult us

## APPLICATION DATA HIGH AND MEDIUM TEMPERATURE R-134A

HP	Displacement m <sup>3</sup> /h	Cooling capacity Watts Evaporating temp.				Model reference
		0°C	-5°C	-7°C	-10°C	
2	12.31	5480	4320	3990	3350	06DR109
3	18.54	7620	5900	5410	4460	06DR103
5	22.5	10030	7950	7380	6620	06DR316
5	25.9	11880	9420	8740	7380	06DR718
6.5	28.3	13140	10480	9740	8220	06DR820
6.5	33.83	15440	12030	11070	9190	06DR725
7.5	39.63	18020	14440	13450	11390	06DR228
10	52.51	24370	19720	18450	15720	06DR337

## APPLICATION HIGH TEMPERATURE R-407C

HP	Displacement m <sup>3</sup> /h	Cooling capacity Watts Evaporating temp.				Model reference
		7°C	5°C	0°C	-5°C	
5	18.54	15500	14210	12290	8800	06DM313
6.5	25.9	22460	20640	16550	12030	06DA818
7.5	33.83	29160	26720	21250	16580	06DA825
10	39.63	34590	31790	25560	20320	60DA328
15	52.51	45990	42470	34480	27560	06DA537

## APPLICATION DATA LOW TEMPERATURE R-22

HP	Displacement m <sup>3</sup> /h	Cooling capacity Watts Evaporating temp.				Model reference
		-20°C	-25°C	-30°C	-35°C	
2	12.31	3630	2750	1970	1240	06DR109
3	18.54	5520	4260	3150	2120	06DR013
5	22.5	6740	5260	3980	2750	06DR316
5	25.9	7810	6150	4710	3380	06DR718
6.5	28.3	9150	7180	5530	4050	06DR820
6.5	33.83	10070	7750	5820	4130	06DR725
7.5	39.63	12060	9270	6940	4930	06DR228
10	52.51	16870	12970	9480	6240	06DR338
15	58.03	18340	14280	10670	7220	06DR541

## APPLICATION DATA HIGH AND MEDIUM TEMPERATURE R-404 / R-507A

HP	Displacement m <sup>3</sup> /h	Cooling capacity Watts Evaporating temp.				Model reference
		0°C	-5°C	-7°C	-10°C	
3	11.32	8150	6560	6150	5190	06DM808
5	18.54	12850	10210	9510	7930	06DM313
5	22.5	16900	13980	13260	11410	06DR316
6.5	25.9	18750	15070	14120	11890	06DA818
6.5	28.3	22460	18600	17670	15240	06DR820
6.5	33.83	25890	21160	19990	17090	06DR725
7.5	33.83	24240	19340	18770	15140	06DA825
7.5	39.63	31140	25690	24380	20980	06DR228
10	39.63	28910	23330	21940	18610	06DA328
10	52.51	41290	34030	32280	27780	06DR337
10	52.51	39530	32240	30460	26040	06DM337
15	52.51	39290	32070	30290	25860	06DA537
15	58.03	4090	36340	34480	29680	06DR541

## APPLICATION DATA LOW TEMPERATURE R-404 / R-507A

HP	Displacement m <sup>3</sup> /h	Cooling capacity Watts Evaporating temp.				Model reference
		-20°C	-25°C	-28°C	-35°C	
2	12.31	3900	3040	2360	1750	06DR109
3	18.54	5210	3870	2900	1920	06DR013
5	22.5	7260	5610	4300	3040	06DR316
5	25.9	8740	6890	5350	3950	06DR718
6.5	28.3	9820	7650	5890	4250	06DR820
6.5	33.83	10700	8240	6280	4360	06DR725
7.5	39.63	13490	10610	8210	5890	06DR228
10	52.51	17330	13740	10770	8320	06DR337
15	58.03	19230	15210	11890	9040	06DR241

CARLYLE

06D Compressors technical datas

**REQUIRED ACCESSORIES - 06D**

COMPRESSOR MODEL NO.	TERMINAL BOX KIT	SUCTION SERVICE VALVE KIT	ALTERNATE SUCTION SERVICE VALVE KIT	DISCHARGE SERVICE VALVE KIT	ALTERNATE DISCHARGE SERVICE VALVE KIT	OPTIONAL ACCESSORIES	
						SUSPENSION KIT	PLATE KIT
<b>06DR109</b>	06DA660075	06DA660061	-	06DA660060	06DA660059 06DA660061	06DA660058	06EA660096
<b>013</b>	↓	-	-	↓	↓	↓	↓
<b>316</b>		06DA660064	-				
<b>718</b>		06DA660064	-				
<b>820</b>		06DA660065	06EA660090				
<b>724</b>		06DA660065	06EA660090				
<b>228</b>		06DA660065	06EA660090				
<b>337</b>		06EA660090	-				
<b>06DM808</b>	06DA660075	06DA660061	-	06DA660060	06DA660059 06DA660061	06DA660058	↓
<b>809</b>	↓	-	-	↓	↓	↓	
<b>( )313</b>		06DA660061	-				
<b>( )316</b>	06DA660078	06DA660064	-	↓	↓	↓	
<b>518</b>	06DA660062	06DA660064					
<b>( )818</b>	06DA660078	06DA660064	-	06DA660061	-	06DA660056	
<b>06D( )724</b>	↓	06DA660064	-	06DA660061	-	06DA660056	
<b>( )824</b>		06DA660063**	06DA660065**	06DA660062	06DA660064	06DA660057	
		-	06EA660090**	-	-	↓	
		06DA660064*	-	-	-		
		06DA660063**	06DA660065**	06DA660062	06DA660064		
		-	06EA660090**	-	-		
		06DA660064*	-	-	-		
<b>( )328</b>	06EA660065	06EA660090	06DA660064	-			
<b>( )337</b>	06DA660065	06EA660090	06DA660064	-			
<b>( )537</b>	06DA660065	06EA660090	06DA660064	-			

\* = 2 Bolt    \*\* = 4 Bolt





## CARRIER

Compressors shipped without oil and under nitrogen pressure,

Ordering reference	Capacity (L)	Cylinder	Weight (Kg)	Voltage (V)	Type
06DA3282BA325A--S	3,79	6	143	280/230/3/60	NEWMAN
06DA3282BA-365A-S	4,73	6	150	400/3/50 - 460/3/60	NEWMAN
06DA5370BA3801--S	4,73	6	145	400/3/50	NEWMAN
06DA5372BA0657--S	4,73	6	145	400/3/50 - 460/3/60	NEWMAN
06DA5372BA-065A-S	4,73	6	145	400/3/50 - 460/3/60	NEWMAN
06DA8182AA-365A-S	3,31	4	123	400/3/50 - 460/3/60	NEWMAN
06DA8252BA315A	3,79	6	143	575/3/60	NEWMAN
06DA8252BA-325A-S	3,79	6	143	208/230/3/60	NEWMAN
06DA8252BA-365A-S	3,79	6	143	400/460/3/50/60	NEWMAN
06DD5370BC0601--S	4,73	6	145	400/3/50 - 460/3/60	NEWMAN
06DM3130CA-365A--S	2,36	4	150	208/3/60 - 230/3/60	NEWMAN
06DM3160CA365A--S	2,13	4	107	400/460/3/50/60	NEWMAN
06DM3370DA365A	3,79	6	147	400/460/3/50/60	NEWMAN
06DM3370DA3857--S	4,73	6	140	415/3/50	NEWMAN
06DM5377BC1200--S	4,73	6	145	208/3/60 230/3/60	NEWMAN
06DM8080GA-365A-S	1,42	2	73	400/460/3/50/60	NEWMAN
06DM8186AC065A	3,31	4	120	400/3/50 - 460/3/60	REMAN
06DM8187AC0600--S	3,31	4	150	400/3/50 - 460/3/60	NEWMAN
06DM8187AC1200--S	3,31	4	150	208/3/60 - 230/3/60	NEWMAN
06DR0130CA-365A--S	2,13	4	104	400/460/3/50/60	NEWMAN
06DR1090GA365A	1,42	2	73	400/460/3/50/60	NEWMAN
06DR2280DA365A	3,79	6	143	400/460/3/50/60	NEWMAN



## CARRIER

Compressors shipped without oil and under nitrogen pressure

Ordering reference	Capacity (L)	Cylinder	Weight (Kg)	Voltage (V)	Type
06DR3160CA-365A-S	2,13	4	107	400/460/3/50/60	NEWMAN
06DR3160CA367A--S	2,13	4	107	400/460/3/50/60	NEWMAN
06DR3370DA-325A-S	3,79	6	147	208/230/3/60	NEWMAN
06DR3370DA-365A-S	4,73	6	140	400/3/50 - 460/3/60	NEWMAN
06DR3370DC325A	3,79	6	147	208/230/3/60	NEWMAN
06DR5410DA-065A-S	3,79	6	147	400/460/3/50/60	NEWMAN
06DR7180DA325A	2,6	4	113	208/230/3/60	NEWMAN
06DR7180DA-365A--S	2,6	4	113	400/460-3-50/60	NEWMAN
06DR7250DA-315A--S	3,79	6	141	575/3/60	NEWMAN
06DR7250DA-365A	3,79	6	141	400/460-3-50/60	NEWMAN
06DR8200DA-365A-S	2,6	4	118	400/460-3-50/60	NEWMAN
06DS5376BC1200--S	4,73	6	150	208/3/60 - 230/3/60	REMAN
06DS5376BC365ARP	4,7	6	150	400/3/50	REMAN
06DS8246BC365ARP	4,73	6	210	400/3/50 - 460/3/60	REMAN
06DX3286BC065A	4,73	6	150	400/3/50 - 460/3/60	REMAN
06DX3287BC0600--S	4,73	6	150	400/3/50 - 460/3/60	NEWMAN
06DX3376BC0600--S	4,73	6	140	400/3/50 - 460/3/60	REMAN
06DX5376BC065A	4,73	6	150	400/3/50 - 460/3/60	REMAN
06DX5376BC1200--S	4,73	6	150	208/3/60 - 230/3/60	REMAN
06DX5376BD1500--S	4,73	6	150	230/3/60	REMAN
06DX7246AC065A	4,73	6	136	400/3/50 - 460/3/60	REMAN
06DX8186AC0600--S	3,31	4	120	400/3/50 - 460/3/60	REMAN
06DX8246AC065A	4,73	6	140	400/3/50 - 460/3/60	REMAN
06DX8246BC065A	4,73	6	140	400/3/50 - 460/3/60	REMAN



# CARRIER

06D Compressors spare parts

Compressors

Ordering Reference	Description	Application
06DA-404---674R6S	VALVE PLATE ASSY	
06DA-408---824-OEM	SOLENOID VALVE	
06DA-660---056--S	MOUNTING KIT	
06DA-660---057--C	MOUNTING KIT	
06DA-660---058--S	MOUNTING KIT	
06DA-660---061--S	SUCTION & DISCHARGE VALVE KIT	06D-808-/06D-109-/
06DA-660---062--S	SUCTION & DISCHARGE VALVE KIT	06D-316-
06DA-660---064--C	SUCTION & DISCHARGE VALVE KIT	06D-313-/06D-316-/06D-718-/06D-820-/06D-818-
06DA-660---065--C	SUCTION VALVE KIT	06D-724-/06D-328-/06D-337-/06D-537-/06D-824-
06DA-660---066--S	PISTON 020 + PIN PACKAGE	
06DA-660---075--S	TERMINAL BOX PACKAGE	
06DA-660---078--S	TERMINAL BOX PACKAGE	
06DA-660---089--C	CYLINDER HEAD (ELECTRIC UNLOADER)	
06DA-660---090--C	CYLINDER HEAD (PRESSURE UNLOADER)	
06DA-660---102--S	STATOR LOCKING KIT	
06DA-660---105--S	BAFFLE PACKAGE	
06DA-660---111--S	REWORK KIT	
06DA-660---120--S	VALVE PLATE PACKAGE	
06DA-660---122--S	PISTON + PIN PACKAGE	
06DA-660---125--S	PISTON PACKAGE	
06DA-660---126--S	OIL PUMP	
06DA-660---145--S	PISTON AND PIN ASSEMBLY	
06DA-660---151--S	VALE PLATE PACKAGE	
06DA-660---152--S	VALVE PLATE PACKAGE	
06DA-900---072--S	INTER CONNECTING PACKAGE	
06DR-660---027--S	PISTON PACKAGE	
06DR-660---031--S	CONNECTING ROD PACKAGE	
06DR-660---034--S	PISTON 020 + PIN PACKAGE	
06DR-660---053--S	PISTON + PIN PACKAGE	
06EA-660---090--S	SUCTION VALVE KIT	06D-337-/06D-230-/06D-718-/06D-724-/06D-820-/06D-328-/06D-337-/06D-537-
06EA-660---135--S	ELECTRIC UNLOADER KIT	
38AQ-680---001--S	CONTACT GREASE	
-6-D--43---172--S	GASKET SET	
--CC--12MA-017--EE	FEMALE CONNECTOR / CONNECTEUR FEMELLE	
--WM--12FA-018--EE	CRANCKASE HEATER 230V	
--XL--12AA-001--EE	OIL CHANGE VALVE 1/4 NPT - 1/4 FLARE	
--XM--12YC-024--EE	24 VOLTS COIL / 10W	
--XM--12ZA-115--EE	115 VOLTS COIL / 10W	
--XM--12ZA-230--EE	230 VOLTS COIL /	

For other codes, please consult us

## CARLYLE

### 06E Model designation

06ER 3 99 3 0 A

Model = 0, Package = 1 or 9, A = Shipped Without Oil

**Design Variable:**

New Compressors:

- 0 = OEM Model
- 1 = Carrier A/C Model
- 2 = Old Design Refrigeration Valve Plates
- 6 = Carrier A/C Model
- 9 = Cemak Model

Service Compressors:

- 2 = New Manufactured (A/C)
- 4 = Remanufactured (Low Temp.)
- 6 = Remanufactured (A/C)
- 7 = Remanufactured (Med Temp.)

**Electrical Characteristics** (XL and PW Start, Unless Noted):

- 0 = 208/230-3-60
- 1 = 575-3-60
- 3 = 208/230/460-3-50/60 (460v XL Only)
- 4 = 200-3-60
- 5 = 230-3-60
- 6 = 400/460-3-50/60
- 8 = 230-3-50
- 9 = 220/380-3-60

**Displacement** (in Cfm at 1750 rpm)

**Motor Size** (Does Not Signify Horsepower)

- 0, 1, 2 = Models With Oil
- 3, 4, 5 = Models Without Oil
- 7 = 1 Unloader, Suction Cut-off, Oil-less (ER, EM Only)
- 8 = Special Order

**Compressor Type:**

STD*	REV†		
06EA	06EF	Compressor - A/C Duty	No Unloading
06EB	06EJ	Compressor - A/C Duty	1-Step Elec.
06EC	06EK	Compressor - A/C Duty	2-Step Elec.
06ED	06EL	Compressor - A/C Duty	1-Step Press.
06EE	06EN	Compressor - A/C Duty	2-Step Press.
06E2	06E6	Compressor - A/C Duty	1-Step Elec.
06E3	06E7	Compressor - A/C Duty	2-Step Elec.
06E4	06E8	Compressor - A/C Duty	1-Step Press.
06E5	06E9	Compressor - A/C Duty	2-Step Press.
06EM	-	Compressor - Refrig. Duty	Med Temp.
06ER	-	Compressor - Refrig. Duty	Low Temp.
06ET	-	Serv. Compressor A/C Duty Replaces 06E2,3,4,5,6,7,8, and 9.	Compressor has 1 stage of suction cut-off unloading.
06EX	-	Serv. Compressor A/C Duty Replaces 06EA,B,C,D,E,F,J,K,L, and N.	Compressor has 1 stage of Bypass unloading.
06EY	-	Serv. Compressor Refrig. Duty Replaces 06ER	
06EZ	-	Serv. Compressor Refrig. Duty Replaces 06EM	

\* Standard Center Cylinder Head.

† Reversed Center Cylinder Head.

Service compressors shipped with reverse center head have the letter "R" after the serial number on the shipping box.

CARLYLE

06E Compressors technical datas

**REQUIRED ACCESSORIES - 06E**

COMPRESSOR MODEL NO.	TERMINAL BOX KIT	SUCTION SERVICE VALVE KIT	ALTERNATE SUCTION SERVICE VALVE KIT	DISCHARGE SERVICE VALVE KIT	ALTERNATE DISCHARGE SERVICE VALVE KIT	OPTIONAL ACCESSORIES		
						SUSPENSION KIT	PLATE KIT	
06ET150	06EA660095 ↓	06EA660090	-	06DA660064	-	06EA660089 ↓	06EA660096 ↓	
250		↓	-	06DA660064	-			
265		↓	-	06DA660065	06EA660090			
175		↓	06EA660091	-	06DA660065			06EA660090
275		↓	↓	-	06DA660065			06EA660090
199		↓	↓	-	06EA660090			-
299		↓	↓	-	06EA660090			-
06EX150	06EA660095 ↓	06EA660090	-	06DA660064	-	06EA660089 ↓	06EA660096 ↓	
250		↓	-	06DA660064	-			
166		↓	-	06DA660064	-			
266		↓	-	06DA660064	-			
265		↓	-	06DA660065	06EA660090			
175		↓	06EA660091	-	06DA660065			06EA660090
275		↓	↓	-	06DA660065			06EA660090
199		↓	↓	-	06EA660090			-
299		↓	↓	-	06EA660090			-
06EY150		06EA660095 ↓	06EA660091	-	06DA660064			-
166	-			06DA660064	-			
175	-			06DA660065	06EA660090			
099	-			06DA660065	06EA660090			
06EZ150	-			-	06DA660064	-		
266	-	-	06DA660064	-				
175	-	-	06DA660065	06EA660090				
199	-	-	06DA660065	06EA660090				



CARLYLE

06E Compressors technical datas

**06E COMPRESSOR DATA - THREE PHASE**  
**STANDARD EFFICIENCY MODELS WITH ONE HOT PLUGGED GAS BYPASS UNLOADER HEAD**

COMPRESSOR MODEL NO.	VOLT	HP	CFM	OIL CHG. PINTS	MAX. WATTS	MAX. RLA*	MTA	LRA
<b>4 CYLINDER... AIR CONDITIONING... 60HZ</b>								
06EX150-160	575	15	50	14	22000	31	38	98
06EX150-360	208-230/460	15	50	14	22000	72/36	90/45	283/142
06EX150-660**	460	15	50	14	22000	36	45	142
06EX250-160	575	20	50	14	25300	36	45	120
06EX250-360	208-230/460	20	50	14	25300	87/44	108/54	345/173
06EX250-660**	460	20	50	14	25300	45	56	150
06EX266-160	575	25	66	14	33600	46	57	164
06EX266-360	208-230/460	25	66	14	33600	112/56	140/70	446/223
06EX266-660	460	25	66	14	33600	57	71	205
<b>4 CYLINDER... AIR CONDITIONING... 50 HZ</b>								
06EX150-360	200/400	15	41.7	14	18300	72/36	90/45	283/142
06EX150-660**	400	15	41.7	14	18300	36	45	142
06EX250-360	200/400	20	41.7	14	21100	87/44	108/54	345/173
06EX250-660**	400	20	41.7	14	21100	45	56	150
06EX266-360	200/400	25	55	14	28000	112/56	140/70	446/223
06EX266-660**	400	25	55	14	28000	57	71	205
<b>6 CYLINDER... AIR CONDITIONING... 60HZ</b>								
06EX265-160	575	25	68	19	33600	46	57	164
06EX265-360	208-230/460	25	68	19	33600	112/56	140/70	446/223
06EX265-660	460	25	68	19	33600	57	71	205
06EX175-160	575	25	75	19	33600	46	57	164
06EX175-360	208-230/460	25	75	19	33600	112/56	140/70	446/223
06EX175-660	460	25	75	19	33600	57	71	205
06EX275-160	575	30	75	19	39100	52	65	176
06EX275-360	208-230/460	30	75	19	39100	135/68	168/84	506/253
06EX275-660	460	30	75	19	39100	65	81	220
06EX299-160	575	40	99	19	54000	77	97	240
06EX299-360	208-230/460	40	99	19	54000	189/95	236/118	690/345
06EX299-660	460	40	99	19	54000	97	121	300
<b>6 CYLINDER... AIR CONDITIONING... 50 HZ</b>								
06EX265-360	200/400	20	54	19	28000	112/56	140/70	446/223
06EX265-660**	400	20	54	19	28000	57	71	205
06EX175-360	200/400	25	62.5	19	28000	112/56	140/70	446/223
06EX175-660**	400	25	62.5	19	28000	57	71	205
06EX275-360	200/400	30	62.5	19	32600	135/68	168/84	506/253
06EX275-660**	400	30	62.5	19	32600	65	81	220
06EX299-360	200/400	40	82.5	19	45000	189/95	236/118	690/345
06EX299-660**	400	40	82.5	19	45000	97	121	300

\* This is the maximum rated load amp rating for the compressor motor. The overcurrent protection (circuit breaker) in the unit may result in much lower RLA values.

\*\* Order the discrete 400/460-3-50/60 volt compressor for part wind start applications only. When ordering, place the letters PW after the model number, (i.e., 06EX299660PW).

CARLYLE

06E Compressors technical datas

**06E COMPRESSOR DATA - THREE PHASE  
HIGH EFFICIENCY MODELS**

COMPRESSOR MODEL NO.	VOLT	HP	CFM	OIL CHG. PINTS	MAX. WATTS	MAX. RLA*	MTA	LRA
<b>4 CYLINDER... AIR CONDITIONING... 60HZ</b>								
06ET150-1( )0‡	575	15	50	14	22000	31	38	98
06ET150-3( )0‡	208-230/460	15	50	14	22000	72/36	90/45	283/142
06ET150-6( )0**‡	460	15	50	14	22000	36	45	142
06ET250-1( )0‡	575	20	50	14	25300	36	45	120
06ET250-3( )0‡	208-230/460	20	50	14	25300	87/44	108/54	345/173
06ET250-6( )0**‡	460	20	50	14	25300	44	54	173
<b>4 CYLINDER... AIR CONDITIONING... 50 HZ</b>								
06ET150-320	200/400	15	41.7	14	18300	72/36	90/45	283/142
06ET150-360	200/400	15	41.7	14	18300	72/36	90/45	283/142
06ET150-620**	400	15	41.7	14	18300	36	45	142
06ET150-660**	400	15	41.7	14	18300	36	45	142
06ET250-320	200/400	20	41.7	14	21100	87/44	108/54	345/173
06ET250-360	200/400	20	41.7	14	21100	87/44	108/54	345/173
06ET250-620**	400	20	41.7	14	21100	44	54	173
06ET250-660**	400	20	41.7	14	21100	44	54	173
<b>6 CYLINDER... AIR CONDITIONING... 60 HZ</b>								
06ET265-1( )0‡	575	25	65	19	33600	46	57	164
06ET265-3( )0‡	208-230/460	25	65	19	33600	112/56	140/70	446/223
06ET265-6( )0**‡	460	25	65	19	33600	56	70	223
06ET175-1( )0‡	575	25	75	19	33600	46	57	164
06ET175-3( )0‡	208-230/460	25	75	19	33600	112/56	140/70	446/223
06ET175-6( )0**‡	460	25	75	19	33600	56	70	223
06ET275-1( )0‡	575	30	75	19	39100	52	65	176
06ET275-3( )0‡	208-230/460	30	75	19	39100	135/68	168/84	506/253
06ET275-6( )0**‡	460	30	75	19	39100	68	84	253
06ET299-1( )0‡	575	40	99	19	54000	78	97	240
06ET299-3( )0‡	208-230/460	40	99	19	54000	189/95	236/118	690/345
06ET299-6( )0**‡	460	40	99	19	54000	95	118	345
<b>6 CYLINDER ... AIR CONDITIONING ... 50 HZ</b>								
06ET265-320	200/400	25	54	19	28000	112/56	140/70	446/223
06ET265-360	200/400	25	54	19	28000	112/56	140/70	446/223
06ET265-620**	400	25	54	19	28000	56	70	223
06ET265-660**	400	25	54	19	28000	56	70	223
06ET175-320	200/400	25	62.5	19	28000	112/56	140/70	446/223
06ET175-360	200/400	25	62.5	19	28000	112/56	140/70	446/223
06ET175-620**	400	25	62.5	19	28000	56	70	223
06ET175-660**	400	25	62.5	19	28000	56	70	223
06ET275-320	200/400	30	62.5	19	32600	135/68	168/84	506/253
06ET275-360	200/400	30	62.5	19	32600	135/68	168/84	506/253
06ET275-620**	400	30	62.5	19	32600	68	84	253
06ET275-660**	400	30	62.5	19	32600	68	84	253
06ET299-320	200/400	40	82.5	19	45000	189/95	236/118	690/345
06ET299-360	200/400	40	82.5	19	45000	189/95	236/118	690/345
06ET299-620**	400	40	82.5	19	45000	95	118	345
06ET299-660**	400	40	82.5	19	45000	95	118	345

\* This is the maximum rated load amp rating for the compressor motor. The overcurrent protection (circuit breaker) in the unit may result in much lower RLA values.

\*\* Order the discrete 400/460-3-50/60 volt compressor for part wind start applications only. When ordering, place the letters PW after the model number, (i.e., 06EX299660PW).

‡ Digit indicated by ( ) may be a 6 or a 2.

Compressors



## CARRIER

Compressors shipped without oil and under nitrogen pressure

Manufactured by Carlyle USA

All references published on the compressor model designation are available. Please contact us for further information.

Ordering reference	Capacity (L)	Cylinder	Weight	Voltage (V)	Type
06ET-150---660PW-S	6,6	4	300	400/460-3-50/60	REMAN
06ET-150----66ERCD	6,6	4	220	400/460-3-50/60	REMAN
06ET-175----66ERCD	9	6	247	400/460-3-50/60	REMAN
06ET-250---66ARPS	6,6	4	224	400/460-3-50/60	REMAN
06ET-250----66ERCD	6,6	4	221	400/460-3-50/60	REMAN
06ET-265----66ERCD	9	6	195	400/460-3-50/60	REMAN
06ET-275----66ERCD	9	6	264	400/460-3-50/60	REMAN
06ET-299----66ERCD	9	6	272	400/460-3-50/60	REMAN



## CARRIER

Compressors shipped without oil and under nitrogen pressure,

All references published on the compressor model designation are available. Please contact us for further information.

Ordering reference	Capacity (L)	Cylinder	Weight (Kg)	Voltage (V)	Type
06ET-150---621DCEE	6,6	4	193	400/460-3-50/60	NEWMAN
06ET-175---621DCEE	9	6	230	400/460-3-50/60	NEWMAN
06ET-175-A-621DCEE	9	6	230	400/460-3-50/60	NEWMAN
06ET-199---621DCEE	9	6	250	400/460-3-50/60	NEWMAN
06ET-199-A-621DCEE	9	6	250	400/460-3-50/60	NEWMAN
06ET-250---621DCEE	6,6	4	224	400/460-3-50/60	NEWMAN
06ET-265---621DCEE	9	6	233	400/460-3-50/60	NEWMAN
06ET-275---621DCEE	9	6	234	400/460-3-50/60	NEWMAN
06ET-275-A-621DCEE	9	6	234	400/460-3-50/60	NEWMAN
06ET-299---621DCEE	9	6	250	400/460-3-50/60	NEWMAN
06ET-299-A-621DCEE	9	6	250	400/460-3-50/60	NEWMAN



# CARRIER

06E Compressors spare parts

Compressors

Ordering Reference	Description	Application
801013	FEMALE CONNECTOR	
801064	230 VOLTS COIL /	
06DA-660---064--C	DISCHARGE VALVE KIT	06E--150/06E--250
06DA-660---065--C	DISCHARGE VALVE KIT	06E--265/06E--175/06E--275
06EA-402---273--S	BEARING AND OIL PUMP ASSEMBLY	
06EA-404---944--C-	VALVE PLATE	
06EA-500---101--EE	TERMINAL BOX COVER SCREW	
06EA-500---122EE-B	TERMINAL BOX GASKET	
06EA-500---132EE-A	TERMINAL BOX COVER GASKET	
06EA-500---404--EE	TERMINAL BOX	
06EA-500---752--EE	OIL SIGHT GLASS	
06EA-500---842--EE	TERMINAL BOX COVER	
06EA-660---026--S	CONNECTING ROD	
06EA-660---034--S	CONNECTING ROD	
06EA-660---071--S	GASKET SET	
06EA-660---079--C-	UNLOADER KIT	
06EA-660---085--S	ROD 010 PACKAGE	
06EA-660---086--S	CONNECTING ROD	
06EA-660---089--S	SUSPENSION KIT	
06EA-660---090--S	SUCTION & DISCHARGE VALVE KIT	06E--150/06E--250/06E--265/06E--175-A/06E--199-A/06E--275-A/06E--299-A
06EA-660---091--S	SUCTION VALVE KIT	06E--175/06E--199/06E--275/06E--299
06EA-660---100--C	PRESSURE UNLOADER HEAD	
06EA-660---104--S	CYLINDER HEAD GASKET SET	
06EA-660---109--S	PISTON	
06EA-660---110--S	PISTON	
06EA-660---111--S	PISTON	
06EA-660---112--S	PISTON 020 + PIN PACKAGE	

For other codes, please consult us



# CARRIER

06E Compressors spare parts

Ordering Reference	Description
06EA-660---125--C	TERMINAL PLATE
06EA-660---135--S	ELECTRIC UNLOADER KIT
06EA-660---137--S	VALVE PLATE PACKAGE
06EA-660---138--S	CYLINDER HEAD (ELECTRIC UNLOADER)
06EA-660---139--S	CYLINDER HEAD (PRESSURE UNLOADER)
06EA-660---141--S	JUMPER BAR PACKAGE
06EA-660---143--S	VALVE PLATE
06EA-660---144--S	VALVE PLATE
06EA-660---147--S	BLOCKING PACKAGE
06EA-660---151--S	SERVICE PARTS PACKAGE
06EA-660---152--S	TERMINAL RING PACKAGE
06EA-660---156--S	ADAPTER
06EA-660---157--S	OIL PUMP KIT
06EA-660---159--S	VALVE PLATE (LEFT SIDE)
06EA-660---161--EE	CYLINDER HEAD
06EA-660---168--S	CRANKCASE HEATER KIT
06EA-660---391--EE	PISTON KIT
06EA-900---023--S	MOUNTING SPRING PKG
38AQ-680---001--S	CONTACT GREASE
--HN--68GA-295--C	R22 DGT
--WG--12RA-001--EE	R134A DGT
--WM--12FA-006--EE	CRANKCASE HEATER 230V
--WM--12FA-017--EE	CRANKCASE HEATER 230V / 125 W
--WM--12FA-018--EE	CRANKCASE HEATER 230V
--WM--12FA-020--EE	CRANKCASE HEATER 110V / 125 W
--XL--12AA-001--EE	OIL CHANGE VALVE 1/4 NPT-1/4 FLARE
--XM--12YC-024--EE	24 VOLTS COIL / 10 W
--XM--12ZA-115--EE	115 VOLTS COIL / 10 W

For other codes, please consult us

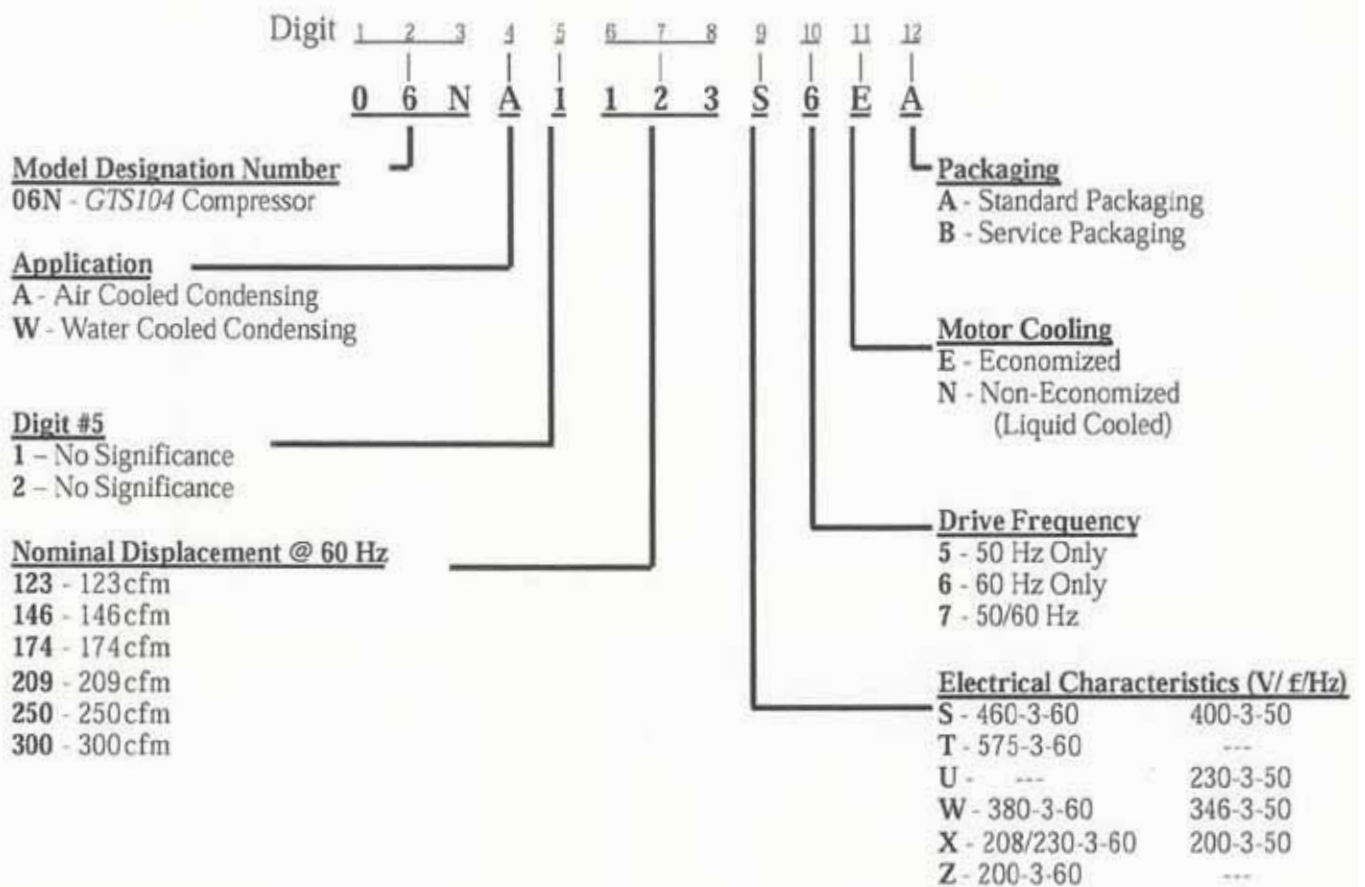
[www.carrier-ercd.com](http://www.carrier-ercd.com)



## CARLYLE

06N Model designation

### Model Number Significance Chart





## CARRIER

Screw compressors shipped without oil

R134 Application only  
 Manufactured by Carlyle USA

Ordering Reference	Maximum current (A)	Weight (Kg)	Power (Tons)	Voltage (V)
06NA2146-S---7EAC	NC	380	39	400/3/50 - 460/3/60
06NA2146-S---7NAC	90,2	380	39	400/3/50 - 460/3/60
06NA2174-S---7EAC	NC	390	46	400/3/50 - 460/3/60
06NA2174-S---7NAC	112,3	390	46	400/3/50 - 460/3/60
06NA2209-S---7EAC	NC	400	56	400/3/50 - 460/3/60
06NA2209-S---7NAC-	134,1	400	56	400/3/50 - 460/3/60
06NA2250-S---7EAC	NC	405	66	400/3/50 - 460/3/60
06NA2250-S---7NAS	161,2	405	66	400/3/50 - 460/3/60
06NA2300-S---5EAC-	234,7	415	80	400/3/50 - 460/3/60
06NA2300-S---5NAC-	188,5	415	80	400/3/50 - 460/3/60
06NW2146-S---7NAC	71,7	360	39	400/3/50 - 460/3/60
06NW2174-S---7NAC	88,5	365	46	400/3/50 - 460/3/60
06NW2209-S---7EAC-	NC	375	56	400/3/50 - 460/3/60
06NW2209-S---7NAC-	106,7	375	56	400/3/50 - 460/3/60
06NW2250-S---7EAC	NC	380	66	400/3/50 - 460/3/60
06NW2250-S---7NAC	128,8	380	66	400/3/50 - 460/3/60
06NW2300-S---5EAC	172,2	400	80	400/3/50 - 460/3/60
06NW2300-S---5NAC-	156,2	390	80	400/3/50 - 460/3/60

Note that 06NA compressors needs oil contained in the oil separator

Ordering reference:

---P-903SW220-5TTL : Totaline SW220, 5L drum

---P-903SW220-20TTL: Totaline SW220, 20L drum

EAC means compressor works with an economizer in frigorific system,  
 NAC means compressor works without an economizer in frigorific system,

Caution ! Always add installation kit code 06NA-660---013--S

1 Ton = 3,5 Kw Frigo (SI)



## CARRIER

06N Compressors spare parts

Ordering Reference	Description
06NA-660---001--S	OIL SOLENOID VALVE
06NA-660---002--S	TERMINAL JUMPER BAR KIT
06NA-660---003--S	TERMINAL BOX KIT
06NA-660---004--S	VALVE / MUFFLER REPAIR
06NA-660---005--S	SUCTION SCREEN PACKAGE
06NA-660---007--S	ECONOMIZER SCREEN KIT
06NA-660---008--S	DISCHARGE PLATE PACKAGE
06NA-660---010--S	SUCTION PLATE PACKAGE
06NA-660---011--S	UNLOADER SOLENOID VALVE KIT
06NA-660---012--S	O-RING SUCTION PACKAGE
06NA-660---013--S	INSTALLATION KIT
06NA-660---015--S	SERVICE TOOL PACKAGE
06NA-660---017--S	SOLENOID VALVE O-RING KIT
06NA-660---018--S	O-RING KIT
06NA-660---019--S	SCHRAEDER ACCESS FITTING KIT
06NA-660---020--S	SAE PLUG KIT
06NA-660---021--S	SAE PLUG KIT
06NA-660---022--S	SAE PLUG KIT
06NA-660---023--S	SAE PLUG KIT
06NA-660---024--S	SAE PLUG KIT



## CARRIER

06N Compressors spare parts

Ordering Reference	Description
06NA-660---025--S	O-RING KIT
06NA-660---026--S	TERMINAL PIN KIT
06NA-660---027--S	O-RING KIT
06NA-660---028--S	OIL LINE FILTER KIT
06NA-660---032--S	GEAR KIT
06NA-660---036--S	GEAR KIT 300 CFM
06NA-660---037--S	COVER O-RING KIT
06NA-660---038--S	COVER GASKET SET
06NA-660---040--S	OIL INJECTION LINE
06NA-660---041--S	O-RING KIT
06NZJ23H09	MOTOR
06NZK23H09	MOTOR
06NZM23H09	MOTOR
06NZP23H09	MOTOR
06NZQ23H09	MOTOR
06NZR23H09	MOTOR
06NZU23H09	MOTOR
06NZW23H09	MOTOR
10HX-500---582EE-F	SUCTION FLANGE
30GX-404---952EE-C	SUCTION VALVE
--BM--12GA-018--EE	BRASS OIL LINE COUPLING
--EN--07EA-510--C	DISCHARGE VALVE



## CARRIER

Compressor (new model) shipped without oil

Manufactured by Carlyle USA

Ordering reference	Weight (Kg)
06TSA155SJ1C	850
06TSA186SJ1C	NC
06TTA266SP1C	656
06TTA301SS1C	660
06TTA356SS1C	NC
06TT-----W266SM1D-	500
06TT-----W301SM1D-	500
06TT-----W356SP1D-	500
06TUA483SW1C	864
06TUA483SW1C-	950
06TUA483TW1C	1068
06TUA483WW1C	1068
06TUA554SW1C	1068
06TUA554SW1C-	990
06TUV483ST1C	350



## CARRIER

Manufactured in China

Ordering reference	Weight (Kg)
06TVW680SW1C-	1145
06TVW753SW1C-	1154
06TVW819SW1C-	1160

Note that 06T compressors needs oil contained in the oil separator

Ordering reference:

---P-903SW220-5TTL : Totaline SW220, 5L drum

---P-903SW220-20TTL: Totaline SW220, 20L drum





## CARRIER

06T Compressors spare parts

Ordering Reference	Description
06TA-660---007--S	MOUNTING KIT
06TA-680---008--S	VALVE
06TT-660---001--S	TERMINAL PIN KIT
06TT-660---002--S	TERMINAL PIN SEAL KIT
06TT-660---003--S	TERMINAL PIN KIT SENSOR
06TT-660---004--S	KIT PLUX AND NUTS
06TT-660---011--S	SLIDE VALVE PISTON ASSEMBLY
06TT-660---019--S	SLIDE VALVE PISTON ASSEMBLY
06TT-660---027--S	SLIDE VALVE ASSEMBLY
06TT-660---035--S	06TS INSTALLATION KIT
06TT-660---036--S	06TT INSTALLATION KIT
06TT-660---037--S	06TU INSTALLATION KIT
06TT-660---038--S	MOTOR COVER GASKET SET
06TT-660---039--S	MOTOR COVER GASKET SET
06TT-660---040--S	MOTOR COVER GASKET SET
06TT-660---042--S	SLIDE VALVE HOUSING GASKET KIT
06TT-660---043--S	SLIDE VALVE HOUSING
06TT-660---044--S	SLIDE VALVE HOUSING GASKET KIT
06TT-660---052--S	COMPRESSOR CONNECTION KIT
06TT-660---057--S	SLIDE VALVE PISTON KIT
06TT-660---058--S	06TV COMPRESSOR CONNECTION KIT
06TSJ95H24	REPLACEMENT MOTOR KIT
06TTP94H24	REPLACEMENT MOTOR KIT
06TTS94H24	REPLACEMENT MOTOR KIT
06TUW96H24	REPLACEMENT MOTOR KIT
2TS1224	06TS SUCTION SCREEN
2TT1308	06TT SUCTION SCREEN
2TU1563	06TU ECONOMIZER LINE SCREEN



## CARRIER

06T compressors spare parts

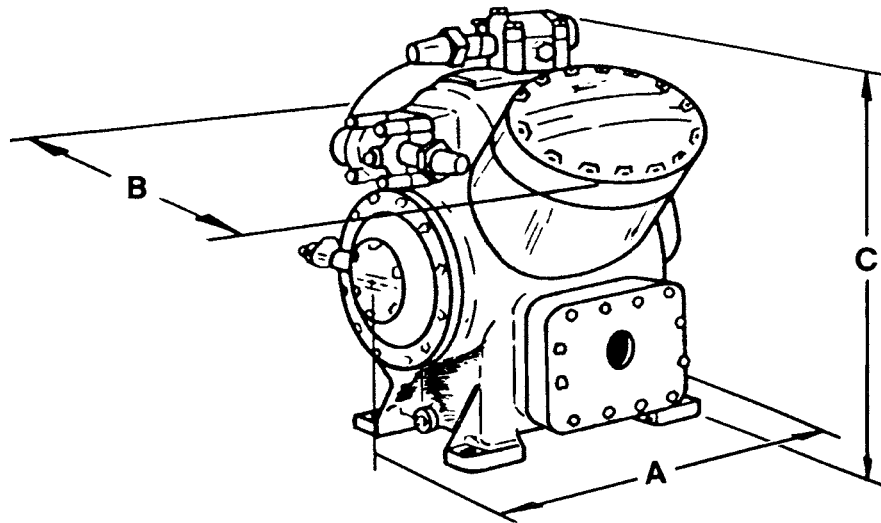
Ordering Reference	Description
32MP-500---354--S	MOTOR TEMPERATURE SENSOR
8TB0224	O-RING
8TB0233	DOWEL PIN
8TB0676	06TT ECONOMIZER LINE SCREEN
8TB0702	PRESSURE RELIEF VALVE O-RING
8TB0883	INSULATOR BLOCK
8TB0884	SOLENOID VALVE
8TC0418C	O-RING
8TC1047	SEAL RING
8TR0357	LUBRIFICATION ORIFICE
8TS0709	JOINT TORIQUE MOTEUR
8TS0722	GASKET
8TS1713	THERMOWELL
8TT0710	GASKET
8TT0732	GASKET
8TT1121	O-RING DISCHARGE/ROTOR
8TT1123	MALE DISCHARGE LIP SEAL
8TT1124	FEMALE DISCHARGE LIP SEAL
8TU0720	GASKET
8TU0844	METALLIC GASKET
8TU1337	O-RING
8TU1542	06TU SUCTION SCREEN
--KK--71EW-223-OEM	O'RING 1.609
--KK--71EW-229--S	O'RING 2.359
--KK--71EW-259--S	O'RING 6.234
00PPG000011701A	GASKET 2,5
00PPG000011702A	GASKET 3
00PSG000766800A	GASKET 4

CARLYLE

5F & 5H Compressors technical datas

PHYSICAL DATA AND DIMENSIONS

DIMENSIONS



PHYSICAL DATA

COMPRESSOR	5F				5H				5H*			
	20	30	40	60	40	60	80	120	46	66	86	126
OPERATING WT	175	215	355	400	610	795	1115	1580	610	795	1115	1580
COMPRESSOR												
Nominal Hp	3-10	5-15	7.5-20	10-30	20-50	30-75	40-100	60-150	40-60	60-100	75-125	125-200
Displ cfm at 1750 rpm	19.9	29.8	39.8	59.6	92.4	138.4	184.7	276.8	115.5	173.0	231.0	346.0
Cylinders	2	3	4	6	4	6	8	12	4	6	8	12
Oil (pt)	5	5.5	12	13	18	21	41	81	18	21	41	81
Bore (in.)	2 1/2				2 3/4				3 3/4			
Stroke (in.)	2				2 3/4				3 3/16			
Max rpm	1750											
Min rpm	400 (Required for proper lubrication)											
Min rpm, Cap. Control	600	700	800	900	800	900	1100	900	800	900	1100	900
High Side Max Pressure	400 psig											
Low Side Max Pressure	245 psig											
DIMENSIONS (in.)												
A	15 7/8	18	21 1/2	23 1/2	30 1/2	31 1/2	43 7/8	47	30 1/2	31 1/2	43 7/8	47
B	18 3/4	20 7/8	19	21	24 1/2	27 1/4	24 1/2	27 3/4	24 1/2	27 1/4	24 1/2	27 3/4
C	18 3/4	18	20 7/8	24 1/2	29	29 7/8	32	34 3/4	29	29 7/8	32	34 3/4
CONNECTIONS (in.)												
Suction ODF	1 1/8	1 1/8	1 1/8	2 1/8	2 1/8	3 1/8	3 1/8	4 1/8	2 1/8	3 1/8	3 1/8	4 1/8
Discharge ODF	3/8	1 1/8	1 1/8	1 1/8	2 1/8	2 1/8	3 1/8	3 1/8	2 1/8	2 1/8	3 1/8	3 1/8

\*Increased displacement compressors (5H46,66,86,126)not available for belt drive duty.

## 5F &amp; 5H OPEN COMPRESSORS / SIGNIFIANCE CHART

REFERENCES	SERVICE VALVES	PRESSURE SWITCHES	W.C HEADS	REPLACEMENT	
				NEWMAN	REMAN
5H120-A194	YES	YES	NO	5H120-S219	5H120-A219
5H120-S219	YES	NO	NO	NA	NA
5H120-A219	YES	NO	NO	NA	NA
5H126-394	YES	YES	NO	5H126-S219	5H126-A219
5H126-S219	YES	NO	NO	NA	NA
5H126-A219	YES	NO	NO	NA	NA
5H120-C864	YES	NO	YES	NA	NA
5H126-C864	YES	NO	YES	NA	NA
5H120-C149	YES	NO	NO	NA	NA
5H126-C149	YES	NO	NO	NA	NA
5H120-C884	NO	NO	NO	NA	NA

REFERENCES	W.C HEADS	N° OF UNLOADERS	REPLACEMENT	
			NEWMAN	REMAN
5F30-C644	NO	0	5F30-S644	5F30-A644
5F30-OLD C'CASE	NO	0	/	5F30-A189
5F30-C654	NO	1	5F30-S664	5F30-A664
5F30-C664	NO	2	5F30-S664	5F30-A664
5F30-OLD C'CASE	NO	2	/	5F30-A219
5F30-C864	YES	2	/	/

## APPLICATION HIGH AND MEDIUM TEMPERATURE R404 / R507A

Capacity Kw	Displacement m <sup>3</sup> /h	Cooling capacity Watts - Evaporating temp.				Model reference
		0°C	-5°C	-7°C	-15°C	
7.4	20.03	18810	15040	14100	11910	5F20
11	42.18	28270	22670	21260	17980	5F30
15	56.33	37740	30280	28410	24030	5F40
23	83.46	56650	45460	42670	36120	5F60
37	130.79	87480	70770	6662	56640	5H40
44	163.48	108052	87790	81640	70260	5H46
55	195.90	131280	106210	99980	85020	5H60
74	244.87	162870	131870	124170	105640	5H66
74	261.43	175090	141670	133380	113430	5H80
92	326.96	217160	175730	165450	14071	5H86
110	390.66	262620	212490	200040	170110	5H120
132	489.74	325750	263670	248280	211190	5H126

## APPLICATION LOW TEMPERATURE R404 / R507A

Capacity Kw	Displacement m <sup>3</sup> /h	Cooling capacity Watts - Evaporating temp.				Model reference
		-20°C	-25°C	-28°C	-35°C	
5.5	20.03	7220	5470	4630	2700	5F20
7.4	42.18	10860	8180	6890	3990	5F30
11	56.33	14170	11010	9290	540	5F40
18	84.36	21930	16590	14010	8110	5F60
29	130.79	34800	26420	22350	13070	5H40
37	163.48	43170	32770	27720	16180	5H46
44	195.90	52290	39740	33640	19700	5H60
55	244.87	6510	49540	41980	24680	5H66
55	261.43	69790	53060	44930	26340	5H80
74	326.96	86640	65910	55850	32824	5H86
92	390.66	104680	79610	67460	3970	5H120
110	489.74	130100	98990	83880	49290	5H126

## APPLICATION HIGH AND MEDIUM TEMPERATURE R-134A

Capacity Kw	Displacement m <sup>3</sup> /h	Cooling capacity Watts - Evaporating temp.				Model reference
		0°C	-5°C	-7°C	-15°C	
5.5	20.03	11800	9270	8560	7130	5F20
7.4	42.18	17600	13910	12890	10790	5F30
11	56.33	23700	18610	17180	14320	5F40
14.7	84.36	35480	27830	25690	21410	5F60
23	130.79	55930	43760	40340	33550	5H40
29	163.48	69300	54190	49940	41510	5H46
37	195.90	83890	65640	60520	50380	5H60
44	244.87	104260	81690	75370	62800	5H66
44	261.43	111780	87470	80650	67150	5H80
55	326.96	138760	108620	100190	83440	5H86
74	390.66	167970	131470	121240	100940	5H120
92	489.74	208530	163270	150590	125400	5H126



## APPLICATION LOW TEMPERATURE R-22

Capacity Kw	Displacement m3/h	Cooling capacity Watts - Evaporating temp.				Model reference
		0°C	-5°C	-10°C	-15°C	
7.4	20.03	19440	15580	12280	9480	5F20
11	42.18	29500	23430	18470	14280	5F30
15	56.33	38880	31240	24730	19220	5F40
23	84.36	58710	47130	37220	28830	5F60
37	130.79	92760	75270	59920	46650	5H40
44	163.48	114790	93040	74050	57720	5H46
55	195.90	139000	112880	89960	70120	5H60
74	244.87	172670	140230	111770	87120	5H66
74	261.43	185230	150730	119790	93340	5H80
92	326.96	229960	186690	148750	115950	5H86
110	390.66	278270	225900	179930	140140	5H120
132	489.74	345390	280450	223460	174140	5H126

### PERFORMANCE (contd)

#### COMPRESSOR RATINGS NOTES

- Compressor capacities are based on 1750 rpm and 15 F subcooling.

#### 5F,H Rating Limits

SAT. SUCT TEMP (F)		SAT. DISCH TEMP (F)	
MIN	MAX	MIN	MAX
-40	50	80	145*
-60	50	80	120

☐ R-12, R-22      ■ R-502

\*135 F for R-22.

Refer to 5F,H compressor application data (Expanded Ratings) for ratings not shown in Compressor Ratings Tables.

#### Multiplying Factors for Other rpm

rpm	1450	1160
Capacity	.835	.674
bhp	.798	.602

- Liquid subcooling, greater than (less than) the 15 F incorporated in the ratings increases (decreases) system capacity by 1/2 of 1% for each degree of subcooling. When correcting for subcooling, brake horsepower does not change. Adjusted total heat rejection (tons) equals adjusted capacity + (.212 × bhp).
- Refrigerant temperatures shown are saturation temperatures corresponding to pressures indicated at compressor. Actual gas temperatures are higher because of superheat.
- Capacities are based on actual suction gas temperatures to the compressor of 65 F for R-12; 75 F for R-502. (This assumes superheat is obtained from liquid-suction interchanger or in evaporator.) Capacity corrections for other than rated suction gas temperatures may be obtained from Rating Basis and Capacity Multipliers table. R-22 suction gas superheat (15 F) normally occurs because of expansion valve operation and line losses. Therefore, R-22 ratings can be used without adjustment.
- All compressor power (bhp) ratings are for direct drive. For belt drive applications, belt losses must be included. Normally these belt losses are assumed to add 2 to 3% to the bhp values shown.

#### CAPACITY CONTROL REDUCTION STEPS

COMPR MODEL	CONTR CYL	CAP. STEPS (% Full Load Cap.)									
		100	87½	83½	75	66⅔	62½	50	37½	33½	25
		% Full Load bhp									
		100	90	86	80	74	71	60	50	45	38
Number of Active Cylinders											
5F20	1	2	—	—	—	—	—	1	—	—	—
5F30	1	3	—	—	—	2	—	—	—	1	—
5F40	3	4	—	—	3	—	—	2	—	—	1
5F60	4	6	—	5	—	4	—	3	—	2	—
5H40	3	4	—	—	3	—	—	2	—	—	1
5H46	3	4	—	—	3	—	—	2	—	—	1
5H60	4	6	—	5	—	4	—	3	—	2	—
5H66	4	6	—	5	—	4	—	3	—	2	—
5H80	6	8	7	—	—	—	5	—	3	—	2
5H86	6	8	7	—	—	—	5	—	3	—	2
5H120	8	12	—	10	—	8	—	6	—	4	—
5H126	8	12	—	10	—	8	—	6	—	4	—



## CARRIER

### 5F & 5H Compressors

Ordering Reference	Capacity (L)	Suction sold connection size (inch)	Discharge sold connection size (inch)	Cylinder	Power R134A(CV)	Power R22 (CV)
-5-F--20-C-654D-S	2,37	1-1/8 ODF	7/8 ODF	2	5,7	10
-5-F--20-S-674--S	2,37	1-1/8 ODF	7/8 ODF	2	5,7	10
-5-F--20-S-684--S	2,37	1-1/8 ODF	7/8 ODF	2	5,7	10
-5-F--30-A-219--S	2,6	1-5/8 ODF	1-3/8 ODF	3	8,5	15
-5-F--30-C-664D-S	2,6	1-5/8 ODF	1-3/8 ODF	3	8,5	15
-5-F--30-S-644--S	2,6	1-5/8 ODF	1-3/8 ODF	3	8,5	15
-5-F--30-S-664--S	2,6	1-5/8 ODF	1-3/8 ODF	3	8,5	15
-5-F--40---909--S	5,67	1-5/8 ODF	1-3/8 ODF	4	11,4	20
-5-F--40-A-219--S	5,67	1-5/8 ODF	1-3/8 ODF	4	11,4	20
-5-F--40-S-219--S	5,67	1-5/8 ODF	1-3/8 ODF	4	11,4	20
-5-F--60---909--S	6,15	2-1/8 ODF	1-5/8 ODF	6	17,1	25
-5-F--60-A-219--S	6,15	2-1/8 ODF	1-5/8 ODF	6	17,1	25
-5-F--60-C-149--S	6,15	2-1/8 ODF	1-5/8 ODF	6	17,1	25
-5-F--60-S-219--S	6,15	2-1/8 ODF	1-5/8 ODF	6	17,1	25
-5-H-120-A-204--S	28,85	4-1/8 ODF	4-1/8 ODF	12	81,4	125
-5-H-126---404--S	28,85	4-1/8 ODF	4-1/8 ODF	12	100	150
-5-H-126-A-219--S	28,85	4-1/8 ODF	4-1/8 ODF	12	100	150
-5-H--40---909--S	8,51	2-5/8 ODF	2-1/8 ODF	4	25	40
-5-H--40-A-219--S	8,51	2-5/8 ODF	2-1/8 ODF	4	25	40
-5-H--40-S-219--S	8,51	2-5/8 ODF	2-1/8 ODF	4	25	40
-5-H--46---909--C	8,51	2-5/8 ODF	2-1/8 ODF	4	40	60
-5-H--46-A-219--S	8,51	2-5/8 ODF	2-1/8 ODF	4	40	60
-5-H--46-S-219--S	8,51	2-5/8 ODF	2-1/8 ODF	4	40	60
-5-H--60-A-219--S	9,93	3-1/8 ODF	3-1/8 ODF	6	40	60
-5-H--60-C-109--S	9,93	3-1/8 ODF	3-1/8 ODF	6	40	60
-5-H--60-C-119--S	9,93	3-1/8 ODF	3-1/8 ODF	6	40	60
-5-H--60-S-219--S	9,93	3-1/8 ODF	3-1/8 ODF	6	40	60
-5-H--66---404--S	9,93	3-1/8 ODF	3-1/8 ODF	6	50	75
-5-H--66-A-219--S	9,93	3-1/8 ODF	3-1/8 ODF	6	50	75
-5-H--66-S-219--S	9,93	3-1/8 ODF	3-1/8 ODF	6	50	75
-5-H--80-A-204--S	19,4	3-1/8 ODF	3-1/8 ODF	8	50	75
-5-H--80-A-219--S	19,4	3-1/8 ODF	3-1/8 ODF	8	50	75
-5-H--80-S-219--S	19,4	3-1/8 ODF	3-1/8 ODF	8	50	75
-5-H--86---404--S	19,4	3-1/8 ODF	3-1/8 ODF	8	75	100
-5-H--86-A-219--S	19,4	3-1/8 ODF	3-1/8 ODF	8	75	100
-5-H--86-S-219--S	19,4	3-1/8 ODF	3-1/8 ODF	8	75	100



## CARRIER

5F & 5H Compressors spare parts

Compressors

Ordering Reference	Description
-5-F--20--1011--S	GASKET (MULT 12)
-5-F--20--1031--S	PISTON (MULT 6)
-5-F--20--1032--S	GASKET
-5-F--20--1083--S	GASKET (MULT 50)
-5-F--20--1093--S	GASKET (MULT 12)
-5-F--20--1113--S	GASKET
-5-F--20---132--S	STRAINER
-5-F--20--1451--S	GASKET (MULT 50)
-5-F--20--1631--S	SIGHT GLASS GASKET (MULT 12)
-5-F--20--1701--S	GASKET (MULT 12)
-5-F--20--1703--S	GASKET
-5-F--20--171112S	GASKET (MULT 12)
-5-F--20--1813--S	GASKET
-5-F--20---394--C	PULLEY
-5-F--20--660001S	GASKET
-5-F--20---677--S	HEAD
-5-F--20---752--S	UNLOADER KIT
-5-F--20-A-563--S	POWER CONTROL KIT
-5-F--30--136101S	GASKET (MULT 12)
-5-F--30--1831--S	GASKET
-5-F--30---394--C	FLYWHEEL
-5-F--36--1032--S	GASKET
-5-F--40--1042--C	GASKET
-5-F--40--1083--S	GASKET (MULT 12)
-5-F--40--1093--S	GASKET (MULT 12)
-5-F--40--1211--S	GASKET (MULT 12)
-5-F--40---394--S	PULLEY
-5-F--40--4512--S	GASKET
-5-F--40---4FI-A	ELECTRIC UNLOADER KIT
-5-F--40---841--S	BELT
-5-F--41--1703--S	GASKET
-5-F--60--1681--S	GASKET
-5-F--60--1831--S	GASKET (MULT 12)
-5-F--60--3792--S	BAG FELT FILTER
-5-F--60---394--C	PULLEY
-5-F--60---613--S	COUPLING
-5-F--60--660001S	GASKET
-5-F-660---1--S	DISCHARGE VALVE KIT

For other codes, please consult us



## CARRIER

5F & 5H Compressors spare parts

Ordering Reference	Description
-5-F--60---394--C	PULLEY
-5-F--60---613--S	COUPLING
-5-F--60--660001S	GASKET
-5-F-660---1--S	DISCHARGE VALVE KIT
-5-F-660---2--S	SUCTION VALVE ASSEMBLY
-5-H-120--2191--S	AXLE
-5-H-120--3441--S	GROMMET
-5-H-120--3672--S	BEARING
-5-H-120--4452--S	SUCTION MANIFOLD COVER
-5-H-120--4492--S	GASKET
-5-H-120--4552--S	FILTER
-5-H-120---4FI-1AS	ELECTRIC UNLOADER PACKAGE
-5-H-120---4FI-AS	ELECTRICAL UNLOADER KIT
-5-H-120---502--S	GASKET
-5-H-120---732--C	SEAL
-5-H-120---821--S	PULLEY
-5-H-120---837--S	OIL PUMP KIT
-5-H-120---861--S	BELT
-5-H-121--1703--S	GASKET
-5-H-126---562--S	CRANKSHAFT
-5-H--40--1001--S	LIQUID SIGHT GLASS
-5-H--40--1011--S	GASKET
-5-H--40--1032--S	GASKET
-5-H--40--1042--S	GASKET (MULT 12)
-5-H--40--1083--S	GASKET (MULT 30)
-5-H--40--1093--S	GASKET
-5-H--40--1113--S	GASKET (MULT 12)
-5-H--40--1171--S	GASKET (MULT 12)
-5-H--40--1181--S	GASKET
-5-H--40--1191--S	GASKET
-5-H--40--1361--S	GASKET (MULT 12)
-5-H--40--1371--S	GASKET (MULT 12)
-5-H--40--1411--S	GASKET (MULT 12)
-5-H--40--1423--S	GASKET (MULT 10)
-5-H--40--1451--S	GASKET (MULT 12)



## CARRIER

5F & 5H Compressors spare parts

Compressors

Ordering Reference	Description
-5-H-40-1621-S	GASKET (MULT 12)
-5-H-40-1701-S	GASKET (MULT 12)
-5-H-40-1711-S	GASKET (MULT 12)
-5-H-40-1782-S	PISTON
-5-H-40-2001-S	GASKET (MULT 12)
-5-H-40-242-S	PLATE
-5-H-40-2433-S	COVER GASKET
-5-H-40-323-S	STRAINER
-5-H-40-3692-C	GASKET
-5-H-40-394-C	PULLEY
-5-H-40-477-S	SEAL ASSEMBLY
-5-H-40-502-S	GASKET
-5-H-40-653-S	ISOLATOR PACKAGE
-5-H-40-871-S	BELT
-5-H-40-B-283-S	OIL COOLER
-5-H-41-1703-S	GASKET
-5-H-60-1004-S	HEAD
-5-H-60-132-S	STRAINER
-5-H-60-1632-S	GASKET (MULT 12)
-5-H-60-1681-S	GASKET (MULT 12)
-5-H-60-1831-S	GASKET
-5-H-60-394-C	PULLEY
-5-H-60-4032-S	SUCTION FILTER
-5-H-60-502-S	GASKET
-5-H-60-613-C	COUPLING
-5-H-660-1-S	COLLECTOR
-5-H-660-3-S	COLLECTOR
-5-H-660-8-S	SUCTION VALVE ASSEMBLY
-5-H-80-1632-S	GASKET
-5-H-80-394-C	PULLEY
-5-H-80-4962-C	GASKET
-5-H-80-502-S	GASKET
-5-H-80-821-S	PULLEY
-5-H-86-562-S	CRANKSHAFT
-6-D-23-1421-C	GASKET (MULT 12)
-6-D-43-172-S	GASKET SET

For other codes, please consult us





## CARRIER

06B Compressors spare parts

Ordering Reference	Description
06BA-500---181--EE	PISTON AXLE
06BA-500---182EE-A	GASKET
06BA-500---192--EE	GASKET
06BA-500---201EE-A	ROTOR KEY
06BA-500---212--EE	CLOSING PLATE
06BA-500---231--EE	WASHER
06BA-500---232EE-A	PISTON
06BA-500---242--EE	RING
06BA-500---252--EE	RING
06BA-500---261--EE	PIN
06BA-500---271--EE	PIN
06BA-500---291--EE	PIN
06BA-500---301--EE	NUT
06BA-500---311--EE	SCREW
06BA-500---321--EE	PIN
06BA-500---331--EE	PIN
06BA-500---341--EE	CONNECTING ROD SCREW
06BA-500---351--EE	GASKET
06BA-500---361--EE	AXLE
06BA-500---371--EE	RING
06BA-500---391--EE	DISC
06BA-500---412--EE	PISTON
06BA-500---431--EE	SCREW
06BA-500---451--EE	SCREW
06BA-500---501--EE	GASKET
06BA-500---571--EE	CAP
06BA-500---591--EE	ELASTIC RING
06BA-500---601--EE	SCREW
06BA-500---612--EE	SPACER
06BA-500---622--EE	SPACER
06BA-500---641--EE	SPRING
06BA-500---661EE-A	THERMISTOR
06BA-500---722--EE	COPPER WASHER
06BA-500---872--EE	ROTOR KEY
06BA-500---972EE-C	TERMINAL BOX
06BA-500---982EE-C	TERMINAL BOX COVER
06BA-500---992EE-B	TERMINAL BOX GASKET



## CARRIER

06B Compressors spare parts

Ordering Reference	Description
06BA-400---012--EE	OIL PUMP
06BA-400---013EE-A	CONNECTING ROD
06BA-400---023EE-A	CONNECTING ROD
06BA-400---032--EE	SAFETY VALVE
06BA-400---033EE-A	CONNECTING ROD
06BA-400---072EE-A	FILTER
06BA-400---082EE-A	FILTER
06BA-400---232EE-B	TERMINAL PLATE ASSEMBLY
06BA-400---762--EE	CRANKSHAFT
06BA-400---772--EE	CRANKSHAFT
06BA-500---001--EE	SPRING
06BA-500---011--EE	DISCHARGE CHECK VALVE.
06BA-500---012EE-A	VALVE PLATE GUIDE
06BA-500---031--EE	SUCTION CHECK VALVE
06BA-500---032--EE	PLATE
06BA-500---033EE-A	PUMP BEARING
06BA-500---041--EE	GUIDE RING
06BA-500---042EE-A	SEAT PLATE
06BA-500---052--EE	SEAT PLATE
06BA-500---053--EE	LATERAL CYLINDER HEAD
06BA-500---073--EE	CENTRAL CYLINDER HEAD
06BA-500---081EE-A	KEY
06BA-500---082--EE	COMPRESSOR FOOT
06BA-500---091--EE	ROTOR BRAKE
06BA-500---093EE-A	BOTTOM COVER PLATE
06BA-500---101--EE	ROTOR WASHER
06BA-500---102--EE	PUMP END COVER
06BA-500---111EE-A	OIL SUCTION TUBE NLA
06BA-500---113EE-B	MOTOR END COVER
06BA-500---121--EE	LEVEL PLUG
06BA-500---132EE-A	GASKET
06BA-500---142EE-A	GASKET
06BA-500---152EE-A	GASKET
06BA-500---162EE-A	CENTRAL CYLINDER HEAD GASKET
06BA-500---172EE-A	GASKET

For other codes, please consult us



## CARRIER

06B Compressors spare parts

Ordering Reference	Description
06BA-501---212--EE	PUMP SPRING
06BA-501---232--EE	GASKET
06BA-501---292--EE	TERMINAL INSULATION
06BA-501---322EE-A	CLOSING PLATE GASKET
06BA-501---332EE-A	GASKET
06BA-501---352EE-A	GASKET
06BA-501---412--EE	SCREW
06BA-501---432--EE	CRANKCASE HEATER CLIP NLA
06BA-501---532--EE	GASKET
06BA-501---542--EE	GASKET
06BA-501---612--EE	CENTER BEARING
06BA-660---352--EE	CRANKSHAFT
06BP-460---012--S	ROTOR
06BP-460---613--S	STATOR
06DA-403---844-OEM	COUPLING
06EA-500---752--EE	OIL SIGHT GLASS
06EA-501---253-OEM	GASKET
06QA-400---521--EE	CONNECTING ROD
-6-D-40---162--C	VALVE
--AA--12AW-202--EE	SCREW
--AA--12AW-237--EE	SCREW
--AA--12AW-268--EE	SCREW
--AA--12AW-299--EE	SCREW
--AA--12AW-309--EE	SCREW
--AA--12BC-233--EE	SCREW
--AA--12BC-266--EE	SCREW
--AE--12AA-016--EE	SCREW
--AH--12AA-003--EE	WASHER
--AI--12AA-003--EE	WASHER
--AS--12CB-012--EE	NUT
--CA--63AA-051--S	CAP
--CA--64AA-001--S	CAP
--CA--64AM-225--S	PLUG
--CA--64AT-051--S	CAP
--DD--19CA-061--S	PLUG
--EM--99GA-516--C	GASKET
--EM--99GA-520--C	GASKET
--KK--71GW-015--C	O-RING
--KK--71PR-010--S	O-RING
--UD--12AA-003--EE	PLUG
--UD--12AB-002--EE	CAP 3/8" MALE

For other codes, please consult us

[www.carrier-ercd.com](http://www.carrier-ercd.com)



## CARRIER

Electronic expansion valves

Ordering Reference	Type	Capacity (Tons)	Connection size (inch)	Step
32GB-402---524--S	EXVII	NC	1-1/8	
32GB-402---534--C	EXVII	20	7/8	1500
32GB-402---544--C	EXVII	30	7/8	1500
32GB-402---554--C	EXVII	40	7/8	1500
32GB-402---564--C	EXVII	50	7/8	1500
32GB-402---574--C	EXVII	50	1-1/8	1500
32GB-402---584--C	EXVII	60	1-1/8	1500
32GB-402---594--C	EXVII	75	1-1/8	1500
32GB-402---604--C	EXVII	90	1-1/8	1500
32GB-402---614--C	EXVII	110	1-1/8	1500
32GB-402---674--S	EXVII	NC	1-1/8	
32GB-402---704--C	EXVII	80	1-1/8	
32GB-403---094--S	EXVII	20	7/8	760
32GB-403---104--S	EXVII	30	7/8	760
32GB-403---114--S	EXVII	40	7/8	760
32GB-403---124--S	EXVII	50	7/8	760
32GB-403---134--S	EXVII	60	7/8	760
32GB-403---144--S	EXVII	75	1-1/8	760
32GB-403---154--S	EXVII	90	1-1/8	760
32GB-403---164--S	EXVII	110	1-1/8	760
32GB-403---174--S	EXVII	110	1-1/8	760
32GB-403---184--S	EXVII	NC	1-1/8	760
32GB-403---194--S	EXVII	NC	1-1/8	760
32GB-403---204--S	EXVII	NC	1-1/8	760
32GB-403---224--S	EXVII	20	7/8	760
32GB-403---234--S	EXVII	30	7/8	760
32GB-403---244--S	EXVII	40	7/8	760
32GB-403---254--S	EXVII	50	7/8	760
32GB-403---264--S	EXVII	60	1-1/8	760
32GB-403---274--S	EXVII	75	1-1/8	760
32GB-403---284--S	EXVII	90	1-1/8	760

For other codes, please consult us



## CARRIER

Electronic expansion valves

Ordering Reference	Type	Capacity (Tons)	Connection size (inch)	Step
30GX-434---402--EF	LEXV III	NC	1-5/8	15000
30GX-434---412--EE	LEXV III	NC	1-5/8	15000
30GX-434---422--EF	LEXV III	NC	1-5/8	15000
30GX-434---432--EF	EXV III	NC	1-1/8	15000
30GX-434---442--EF	EXV III	115	1-1/8	15000
30GX-434---452--EF	EXV III	NC	1-1/8	15000
30GX-434---462--EF	EXV III	NC	1-1/8	15000
30GX-434---472--EF	EXV III	NC	1-1/8	15000
30HX-415---612--EF	EXV III	NC	1-5/8	15000
30HX-415---622--EF	LEXV III	NC	1-5/8	15000
30HX-415---632--EF	EXV III	NC	1-1/8	15000
30HX-415---642--EF	EXV III	NC	1-1/8	15000
30HZ-402---252--EF	LEXV III	NC	1-5/8	15000
30HZ-402---262--EF	LEXV III	NC	1-5/8	15000
30HZ-402---302--EE	EXV III	20	1-1/8	15000
30HZ-402---312--EF	EXV III	NC	1-1/8	15000
30HZ-402---322--EF	EXV III	40	1-1/8	15000
30HZ-402---332--EE	EXV III	50	1-1/8	15000
30HZ-402---342--EE	EXV III	NC	1-1/8	15000
30HZ-402---362--EE	EXV III	90	1-1/8	15000
32GB-400---754--C	LEXVI	110	1-1/8	1500
32GB-400---764--C	LEXVI	125	1-5/8	1500
32GB-400---784--C	LEXVI	175	1-5/8	1500
32GB-402---374--C	EXVII	50	1-1/8	1500
32GB-402---384--C	EXVII	55	1-1/8	1500
32GB-402---394--C	EXVII	75	1-1/8	1500
32GB-402---404--C	EXVII	100	1-1/8	1500
32GB-402---414--C	EXVII	65	1-1/8	1500
32GB-402---424--C	EXVII	60	1-1/8	1500
32GB-402---434--S	EXVII	NC	1-1/8	
32GB-402---504--S	EXVII	NC	1-1/8	

For other codes, please consult us

[www.carrier-ercd.com](http://www.carrier-ercd.com)





## CARRIER

Electronic expansion valves

Ordering Reference	Type	Capacity (Tons)	Connection size (inch)	Step
32GB-403---824--S	EXV III	20	1-1/8	15000
32GB-403---844--S	EXV III	40	1-1/8	15000
32GB-403---854--S	EXV III	50	1-1/8	
32GB-403---884--S	EXV III	75	1-1/8	15000
32GB-403---894--S	EXV III	90	1-1/8	15000
32GB-403---904--S	EXV III	110	1-1/8	15000
32GB-403---914--S	EXV III	120	1-1/8	15000
32GB-404---034--S	EXV III	NC	1-1/8	
32GB-404---154--C	LEXV III	110	1-5/8	15000
32GB-404---164--C	LEXV III	120	1-5/8	15000
32GB-404---174--C	LEXV III	130	1-1/8	15000
32GB-404---234--S	EXV III	80	1-1/8	15000
32GB-404---264--S	EXV III	115	1-1/8	15000
32GB-404---424--S	EXV III	50	1-1/8	15000
32GB-404---454--C	EXV III	100	1-1/8	15000
32GB-404---464--C	EXV III	65	1-1/8	15000
32GB-404---474--C	EXV III	60	1-1/8	15000
32GB-404---484--C	LEXV III	110	1-1/8	15000
32GB-404---504--C	LEXV III	150	1-1/8	15000
32GB-404---544--C	LEXV III	125	1-1/8	15000
32GB-404---574--S	EXVIII	100	1-1/8	15000



## PARKER

Expansion valves

Ordering Reference	Type	Capacity (Tons)	Connection size (inch)	Step
00PPG000460200A	ESX14A	2	3/8» X 3/8»	500
00PPG000460300A	ESX18A	3,5	3/8» X 3/8»	500
00PPG000460400A	ESX24B	7	3/8» X 1/2»	500



## DANFOSS

Electronic expansion valves

Ordering Reference	Power (Watts)	Connection size (inch)	Maximum working pressure (bar)
00PPG000462300A	70	5/8 IN X 5/8 IN ODF/ODM	45,5
00PPG000462200A	144	7/8 IN X 7/8 IN ODF/ODM	45,5
00PPG000457100A	262	7/8 IN X 7/8 IN	45,5
00PPG000446703A	1394	2 1/8 IN X 2 1/8 IN	34



## CARRIER

Electronic expansion valves

Max. working pressure: 45.5 bar (660 psig)

Refrigerant temperature range: -40 - 10°C (-40 - 50°F)

Ambient temperature: -40 - 60°C

Motor enclosure : IP67

Ordering Reference	Connection size (inch)	Capacity (kW)
--EF--05BD-271--EE	7/8 ODF X 1-1/8 ODF	50
--EF--05BD-273--EE	1-5/8 ODF X 1-5/8 ODF	400
--EF--05BD-331--EE	1-1/8 ODF X 1-1/8 ODF	100
--EF--05BD-333--EE	1-3/8 ODF X 1-3/8 ODF	250
--EF--05BD-391--EE	1-1/8 ODF X 1-1/8 ODF	50
--EF--05BD-451--EE	7/8 ODF X 7/8 ODF	25



## ALCO

Complete thermostatic expansion valve (sold connections)

Capacity R22 at + 4°C evaporating temperature with + 38°C condensing temperature

Ordering Reference	Type	Nominal capacity (kW)	Outlet diameter size (inch)	Inlet diameter size (inch)
--XA--12AB-026--EE	TERE 26HW	104	X9117B7B	XC726HW-2B
--XA--12AB-015--EE	TJRE 14HW	58	X11873B4B	XB1019HW-1B
--XA--12AB-019--EE	TJRE 18HW	74	X11873B5B	XB1019HW-1B
--XA--12AB-022--E-	TERE 22HW	91	X9117B6B	XC726HW-2B
--XA--12AB-035--EE	TERE 35HW	143	X9117B8B	XC726HW-2B
--XA--12AB-036--EE	TERE 35HW	143	X9117B8B	XC726HW-2B
--XA--12AB-044--EE	TERE 45HW	174	X9117B9B	XC726HW-2B
--XA--12AB-056--EE	TIRE 55HW	223	X91666B10B	XC726HW-2B
--XA--12AB-057--EE	TIRE 55HW	223	X91666B10B	XC726HW-2B
--XA--12AB-076--EE	THRE 75HW	253	X9144B11B	XC726HW-2B
--XA--12AB1001--EE	TCLE 1000HW	41,1	X22440B7B	XB1019HW-1B
--XA--12AN-003--EE	TCLE 1000HW	41,1	X22440B7B	XB1019HW-1B
--EA--09KB-561--C	TERE 35HW	137,5	X9117B8B	XC726HW-1B
--EA--09KB-571--C	TERE 45HW	177	X9117B9B	XC726HW-1B
--EA--09KB-581--C	TIRE 55HW	216,3	X91666B10B	XC726HW-1B
--EA--09KB-595--C	THRE 75HW	295	X9144B11B	XC726HW
--EA--09KB-598--C	THRE 100HW	393	X9144B13B	XC726HW



## ALCO

Thermostatic expansion valves shipped (without body flange assy) with screws, gaskets, cage, power element and bulbe collar

Nominal capacity (kW) R134A to + 4°C (evaporating temperature), + 38°C (condensing temperature)

Ordering Reference	Type	Nominal capacity (kW)	Cage assembly code	Power element code
--XA--12BM-050--EE	TCLE 550NW	24	X22440-B5B	XB1019NW -1B
--XA--12BM-060--EE	TCLE 750NW	32,9	X22440-B6B	XB1019NW -1B
--XA--12BM-070--EE	TCLE 1000NW	44,4	X22440-B7B	XB1019NW -1B
--XA--12BM-090--EE	TJRE 14NW	62	X11873-B4B	XB1019NW -1B
--XA--12BM-100--EE	TJRE 17NW	80	X11873-B5B	XB1019NW -1B
--XA--12BM-101--EE	TJRE 17NW	80	X11873-B5B	XB1019NW -1B
--XA--12BM-111--EE	TERE 21NW	99	X9117-B6B	XC726NW-2B
--XA--12BM-121--EE	TERE 25NW	112	X9117-B7B	XC726NW-2B
--XA--12BM-131--EE	TERE 33NW	155	X9117-B8B	XC726NW-2B
--XA--12BM-151--EE	TIRE 52NW	241	X9166-B10B	XC726NW-2B

# VALVES / R407C THERMOSTATIC EXPANSION VALVES



## ALCO

Thermostatic expansion valves shipped (without body flange assy) with screws, gaskets, cage, power element and bulbe collar

Nominal capacity (kW) R134A to + 4°C (evaporating temperature), + 38°C (condensing temperature)

Ordering Reference	Type	Nominal capacity (kW)	Cage assembly code	Power element code
--XA--12HA-002--EE	TERE 16MW	66.4	X9117B6B	XC726MW
--XA--12HA-004--EE	TIRE 45MW	178.6	X9166B10B	XC726MW
--XA--12HA-007--EE	TERE 19MW	76.4	X9117B7B	XC726MW
--XA--12HA-017--EE	THRE 68MW	280	X9144B13B	XC726MW



## ALCO

Complete thermostatic expansion valve (sold connections)

Capacity R22 at + 4°C evaporating temperature with + 38°C condensing temperature

Ordering Reference	Type	Nominal capacity (kW)	Outlet diameter size (inch)	Inlet diameter size (inch)
--XA--12DM-016--EE	TX6-H16	61.9	1-1/8 ODF	7/8 ODF
--XA--12DM-017--E-	TX6-H17	80.8	1-1/8 ODF	7/8 ODF



## DANFOSS

Complete thermostatic expansion valve (sold connections)

Evaporating range -25°C / +10°C  
Maximum working pressure 30 bar  
1/4 SAE external pressure equalization

Ordering Reference	Type	Capacity (Tons)	Outlet diameter size (inch)	Inlet diameter size (inch)
--XA--12DF-009--EE	TKEX3-5	5	5/8 ODF	1/2 ODF
--XA--12DF-010--EE	TKEX8-7.5	7.5	7/8 ODF	5/8 ODF
--XA--12DF-014--EE	TKEX8-12	12	1-1/8 ODF	5/8 ODF
--XA--12DF-015--EE	TGEX	NC	SOLD ODF	SOLD ODF
--XA--12DF-016--EE	TKEX20-25	25	1-3/8 ODF	7/8 ODF





## SPORLAN

Complete thermostatic expansion valve (sold connections)

Ordering Reference	Type	Capacity (kW)	Connection size (inch)	Capillary length (m)
--EA--02SC-362--S	SVE5GA	17,5	5/8 - 5/8 ODF	1,5
--EA--03PC-462--S	PVE11GA	38,5	5/8 - 1-3/8 ODF	1,5
--EA--03PC-503--S	PVE16GA	56	7/8 - 1-3/8 ODF	1,5
--EA--03PC-519--S	PVE20GA	70	7/8 - 1-3/8 ODF	1,5



## ALCO

Complete thermostatic expansion valve (sold connections)

Capacity R407C at + 4°C evaporating temperature with + 38°C condensing temperature

Ordering Reference	Type	Nominal capacity (kW)	Outlet diameter size (inch)	Inlet diameter size (inch)
--XA--12DN-013--EE	TX6-N13	25,6	5/8 ODF	1/2 ODF
0150408H48	TX6-N14	35,7	5/8 ODF	7/8 ODF
0150408H49	TX6-N15	45,2	5/8 ODF	7/8 ODF
--XA--12DN-016--EE	TX6-N16	66,9	1-1/8 ODF	7/8 ODF
--XA--12DN-017--EE	TX6-N17	87,3	1-1/8 ODF	7/8 ODF



## DANFOSS

Complete thermostatic expansion valve (sold connections)

The rated capacity is based on: evaporating temperature (te) +5°C, condensing temperature (tc) +32°C, refrigerant liquid temperature (tl) +28°C, opening superheat OS = 4K

Ordering Reference	Type	Capacity (kW)	Connection size (inch)	Capillary length (m)
--XA--12CA-039--EE	TDEZ12,5	44	5/8 - 1-1/8 ODF	1,5
--XA--12CA-034--EE	TDEBZ20	70	7/8 - 1-1/8 ODF	3



## CARRIER

Ball valves (installed in 30XA units)

Sold connection

Ordering Reference	Outlet connection (inch)	Inlet connection (en pouce)	Maximum working pressure (bar)	Curved valve
00PPG000007000	2-1/8 FEMALE	2-5/8 MALE	48	X
00PPG000006800C	1-1/8 FEMALE	1-1/8 FEMALE	48	X
00PPG000006900	1-5/8 FEMALE	1-5/8 FEMALE	48	X
00PPG000007100	2-5/8 FEMALE	2-5/8 MALE	48	X
00PPG000030401A	2-1/8 FEMALE	2-1/8 FEMALE	48	
00PPG000030402A	2-5/8 FEMALE	2-5/8 FEMALE	48	
00PPG000030403A	1-1/8 FEMALE	1-1/8 FEMALE	48	
00PPG000030404A	7/8 FEMALE	7/8 FEMALE	48	
00PPG000030405A	3-1/8 FEMALE	3-1/8 FEMALE	48	
00PPG000030406A	5/8 FEMALE	5/8 FEMALE	48	
--EP--71BA-233--S	5/8 FEMALE	5/8 FEMALE	48	
--EP--71BA-283--EE	7/8 FEMALE	7/8 FEMALE	48	
--EP--71BA-343--EE	1-1/8 FEMALE	1-1/8 FEMALE	48	
--EP--71BA-393--EE	1-3/8 FEMALE	1-3/8 FEMALE	48	
--EP--71BA-463--EE	1-5/8 FEMALE	1-5/8 FEMALE	48	



## CASTEL

Ball valves

Ordering Reference	Connection size (inch)	Maximum working pressure (bar)	Straight valve
--XL--12EJ-001--EE	3/8»	45	X
--XL--12EJ-003--EE	5/8»	45	X
--XL--12EJ-005--EE	7/8»	45	X
--XL--12EJ-008--E-	1-5/8»	45	X
--XL--12EJ-009--E-	2-1/8»	45	X
--XL--12EJ-010--E-	2-5/8»	45	X
--XL--12EJ-012--EE	1-5/8»	45	X
--XL--12QA-002--EE	1/2» - 1/2»	55	X
--XL--12QA-003--EE	1»	55	X



## DANFOSS

Ball valves

Ordering Reference	Connection size (inch)	Working temperature range (°C)	Maximum working pressure (bar)
00PPG000023501A	1 1/8 IN	-40 - 150 °C	45
00PPG000023502A	1 3/8 IN	-40 - 150 °C	45
00PPG000023503A	1 5/8 IN	-40 - 150 °C	45
00PPG000452201A	3 1/8 IN	-40 - 150 °C	45
--XL--12AJ-001--EE	1/4 IN	-55 - 100 °C	28
--XL--12AJ-003--EE	1/2 IN	-55 - 100 °C	28
--XL--12AJ-004--EE	5/8 IN	-55 - 100 °C	28

For other codes, please consult us

[www.carrier-ercd.com](http://www.carrier-ercd.com)



## CARRIER

Actuated ball valves and actuator (installed in 30XA units)

Actuated ball valves shipped without actuator is  
00PPG000030900A, rotation angle 90°, 24V  
Sold connections

Ordering Reference	Connection size (inch)	Working pressure (bar)	Maximum working pressure (bar)	Straight valve
00PPG000012500A	2-5/8 FEMALE	-0,9 / + 25	48	X
00PPG000012600A	2-1/8 FEMALE	-0,9 / + 25	48	X



## CARRIER

Cooling 2 ways water valves

Ordering Reference	Connection size (inch)
0150404H60	1/2 MALE
0150404X61	3/4
0150425H07	1/2
0150425H09	1
0150425H08	3/4





## CARRIER

Cooling 3 ways water valves

Ordering Reference	Connection size (inch)
0150404H41	3/4 FEMALE
0150404X58	1/2 MALE
0150404H59	3/4 MALE
0150404H83	1 MALE
0150404X33	3/4 FEMALE
0150404H42	1 FEMALE
0150425H23	1/2
0150425H24	3/4
0150404H97	1
--XL--12FA-035--EE	1/2» NPT - 1/2» NPT
--XL--12FA-047--EE	3/4» NPT- 3/4» NPT
--XL--12FA-049--EE	3/8» NPT- 3/8» NPT
--XL--12AF-002--EE	3/4
0150404X64	1/2
XL12FA038EE	1/2
00PPG000023600A	2-1/8»
00PPG000023800A	2-5/8»

For other codes, please consult us



## CARRIER

Cooling 4 ways water valves

Ordering Reference	Connection size (inch)
0150404H40	1/2 MALE
0150404H91	1/2 MALE
0150404H92	3/4 MALE
0150404X32	1/2 MALE
0150404H89	1/2 MALE
0150404H90	3/4 MALE

# VALVES / COOLING WATER VALVES ACTUATOR



## CARRIER

Cooling water valves actuator

Ordering Reference	Type	Type	Power (Watt)	Voltage
0150404H62	/	22C	2,5	230
0150404X34	ORANGE EA220	/	NC	NC
0150404H43	ÉTÉ 220	18	NC	NC
0150404H63	M4450A	3	NC	NC



## CARRIER

4 ways valves (installed in 30RQ) shipped without coil

24V, 50Hz coil code is 00PPG000018800A, model VHV-01AB522AI, 7W

Ordering Reference	Type	Capacity (kW)	Suction sold connection size (mm)	Discharge sold connection size (mm)
00PPG000017400B	VHV3003	60 - 124	28.5	41.2
00PPG000017500B	VHV-4002	115 - 188	41.2	41.7
00PPG000017600A	VHV-5002	145 - 255	41.2	54.4
00PPG000017700B	VHV-6001	230 - 360	41.2	67



## RANCO & INVENSYS

4 ways valves shipped without coil

Please contact us for the coil references

Ordering Reference	Type	Capacity (kW)	Capacity (Tons)	Suction sold connection size (inch)
0150412X32	V6-414080100	18,99	NC	22,36
--EF--17BG-247--S	L30	19	5,5	3/4
--XL--12CA-003--EE	V10-318140-100	33	9,5	1-1/8
0150412X46	V12-4220T0200	46,78	NC	35,13
--XL--12CA-004--EE	LB6	70	20	1-3/8
--XL--12CA-010--EE	LB6	180	NC	2-5/8



## DANFOSS

### Solenoid Valves

Shipped with 220V 50Hz coil (AMP connectors)

You can also adapt these 2 coils:

-XM-12YA-010-EE = 220V, 10W coil

-XM-12ZN-017-EE = 24V, 10W coil

Ordering Reference	Type	Nominal capacity (kW) from +4° to +38°C	Piping diameter size (inch)	Fluid working temperature (°C)
--XM--12BH-002--EE	EVR3	5,5	1/4	- 40 + 105
--XM--12BH-003--EE	EVR6	16,2	3/8	- 40 + 105
--XM--12BH-006--EE	EVR15	50,6	7/8	- 40 + 105
--XM--12BH-007--EE	EVR20	101,3	7/8	- 40 + 105
--XM--12BH-008--EE	EVR20	101,3	1-1/8	- 40 + 105
--XM--12BH-009--EE	EVR25	202,5	1-1/8	- 40 + 105
--XM--12BH-010--EE	EVR25	202,5	1-3/8	- 40 + 105
00PPG000008502A	EVRH25S	NC	1/8	-40 / +105
00PPG000008504A	EVRH40	NC	1-5/8	-40 / +105
00PPG000467400A	EVR2	3,2	1/4	-40 / +105
00PPG000472701A	EVR10	38,2	5/8	-40 / +105
--XM--12BE-009--EE	EVR10	38,2	1/2	-40 / +105
--XM--12BE-016--E-	EVR25	201	1-1/8	-40 / +105
--XM--12BH-005--EE	EVR15	52,3	5/8	-40 / +105
00PPG000445600A	EVRH25	NC	1-1/8	-40 / +105



## ALCO

### Solenoid Valves

Shipped with 220V 50Hz coil and connector, IP65 protection

You can also adapt these 3 coils :

-XM-12CY-024-EE = 24V coil

-XM12ZA-115-EE = 115V coil

-XM-12ZA-230-EE / 000000000000801064 = 230V coil

Ordering Reference	Type	Nominal capacity (kW) from +4° to +38°C	Piping diameter size (inch)	Seating diameter (inch)
--XM--12EB-350--EE	240RA16T9T	172	1-1/8 ODF	1
--XM--12AH-012--EE	200RB4T3	16,8	3/8 ODF	NC
--XM--12EB-231--EE	240RA8T5T	29,5	5/8 ODF	3/8
000000000000801162	240RA9T7T	46,3	7/8 ODF	1/2
000000000000801163	240RA12T7T	90,5	7/8 ODF	9/16
--XM--12EB-331--EE	240RA16T9T	103,5	7/8 ODF	3/4





## DANFOSS

### TQ Valves

Ordering Reference	Expansion valve	Capacity R22 (kW)	Capacity R134A (kW)	Capacity R404A/R507 (kW)
30HX-412---312EE-A	TQ20-4	119	84	89,1
30HX-412---322EE-A	TQ20-5	133	96	102
30HX-412---302EE-A	TQ20-3	89	64,8	68,2
30HX-415---602--EF	TQ20-2	61	44,4	47,3



## CARRIER

Sold angle valves

R22, R134A and R407C applications

Maximum working pressure = 30 bar

Internal working temperature -20°C to +100°C

Ambient working temperature -20°C to +50°C

Ordering Reference	Connection size (inch)
--EP--12BH-211--S	5/8
--XL--12AL-002--EE	7/8
--XL--12AL-003--EE	1-1/8
--XL--12AL-004--EE	1-3/8
--XL--12AL-005--EE	1-5/8
--XL--12AU-051--EE	1-1/4 ROTALOCK



## CASTEL

Screw angle valves

R22, R134A and R407C applications

Maximum working pressure = 30 bar

Internal working temperature -20°C to +100°C

Ambient working temperature -20°C to +50°C

Ordering Reference	Connection size (inch)
--XL--12AA-001--EE	1/4» - 1/4»
--XL--12AA-002--EE	1/4» - 3/8»
--XL--12AA-003--EE	3/8» - 1/4»
--XL--12AA-004--EE	3/8» - 3/8»
--XL--12AA-007--EE	1/4» - 1/4»
--XL--12AA-008--EE	1/2» - 1/2»
--XL--12AA-009--EE	5/8» - 1/2»



## CARRIER

Sold angle valves

R22, R134A and R407C applications

Maximum working pressure = 30 bar

Internal working temperature -20°C to +100°C

Ambient working temperature -20°C to +50°C

Ordering Reference	Connection size (inch)
--XL--12AU-045--EE	1-1/4 ROTALOCK
--XL--12AU-046--EE	1-1/4 ROTALOCK - 7/8 ODF
--XL--12AU-047--EE	1-3/4 ROTALOCK - 1-1/8 ODF
--XL--12AU-048--EE	1-3/4 ROTALOCK - 1-3/8 ODF
--XL--12AU-049--EE	1-3/4 ROTALOCK - 1-5/8 ODF
--XL--12AU-050--EE	1-1/4 ROTALOCK



## CARRIER

Brass piston

Ordering Reference	Internal orifice diameter size (mm)	Piston n°
--EA--52PH-040--S	1,016	40
--EA--52PH-042--S	1,066	42
--EA--52PH-046--S	1,191	46
--EA--52PH-049--S	1,249	49
--EA--52PH-052--S	1,321	52
--EA--52PH-055--S	1,397	55
--EA--52PH-061--S	1,549	61
--EA--52PH-063--S	1,613	63
--EA--52PH-065--S	1,651	65
--EA--52PH-067--S	1,702	67
--EA--52PH-070--S	1,778	70
--EA--52PH-073--S	1,854	73
--EA--52PH-076--S	1,93	76
--EA--52PH-078--S	1,983	78
--EA--52PH-080--S	2,05	80
--EA--52PH-084--S	2,149	84
--EA--52PH-086--S	2,184	86
--EA--52PH-088--S	2,25	88
--EA--52PH-090--S	2,298	90
--EA--52PH-093--S	2,382	93
--EA--52PH-098--S	2,489	98



## CARRIER

Accurators can replace capillary expansion organ

Brass body, retainer and piston,  
3/8 flare body connection

Ordering Reference	Description
99CC-502---363--S	SINGLE ACCURATOR BODY
99CC-502---443--S	DOUBLE ACCURATOR BODY
--AU--35QA-272--S	RETAINER
--UA--12AA-002--EE	SHORT NUT 3/8 E036N
--KH--11HH-066--S	ACCURATOR SCREEN
99CC-501---052--S	PISTON ACCURATOR GASKET





## LEROY SOMER

Electric motors

Ordering Reference	Shaft diameter size (millimeter)	Speed	Weight (Kgs)	Capacity (Watt)	Voltage (V)	Speed (laps/minute)	Low speed (laps/minute)	High speed (laps/minute)
--DK--12AB-001--EE	15,87	1	16,37	750	400/3/50	930		
--DK--12AB-005EE-1	19	1	16	750	400/3/50	750		
--DK--12AB-006--EE	19	1	18	1800	400/3/50	1000		
--DK--12AB-009--EE	19	1	18	750	400/3/50	750		
--DK--12AB-021--EE	19	1	14	1100	400/3/50	1000		
--DK--12AB-028--EE	19	1	20,5	1800	400/3/50	1000		
--DK--12AB-033--EE	19	3	20,5	750	400/3/50		300-600	700
--DK--12AB-040--EE	19	1	20,5	750	400/3/50	750		
--DK--12AB-052--EE	19	3	16,9	820	400/3/50		360	700
--DK--12AB-044--EE	19	VARIABLE	17,5	750	400/3/50	750		
--DK--12AB-055--EE	19	VARIABLE	23,2	1800	400/3/50	1000		
--DK--12AB-046--EE	19	VARIABLE	19,5	750	400/3/50	750		
--DK--12AB-050--EE		2	23	1800	400/3/50		470	937
--DK--12AH-001--EE	15,87	1	21,3	1100	400/3/50	1000		
--DK--12AB-050--E-	19	2	23	1800	400/3/50		470	937

Add 16 attachment screws code 00PPG00000402A-----



# GENERAL ELECTRIC

Electric motors

CW : Clockwise

CCW : Anticlockwise

Ordering Reference	Shaft diameter size	Speed	Motor power (Watt)	Voltage (Volt)	Speed (laps/minute)	Shaft length size (inche)	Rotation (facing air discharge)
00PPG000007201A	19 MM	1	1350	400/3/50	943		
00PPG000007206A	19 MM	1	560	400/3/50	705		
--HC--37ME-720--S	1/2»		149	230/3/50	1350/2	2,5	REVERSIBLE
--HC--37VE-651--S	1/2»		124	230/3/50	900/2	2	CW
--HC--39ME-236--S	1/2»		186	230/3/50	1350/2	2,5	CCW
--HC--39ML-704--S	1/2»		186	230/3/50	1350/2	2,5	CCW
--HC--39ML-717--C	1/2»		186	230/3/50	1350	2,5	CCW
--HC--41VL-232--S	1/2»		248	230/3/50	900/2	2	CCW
--HC--42GL-208--S	1/2»		248	230/3/50	960	3	CCW
--HC--42ME-232--C	1/2»		248	230/3/50	900	2,5	CCW
--HC--42SE-232--C	1/2»		248	230/3/50	900	3	CW
--HC--43TL-400--S	1/2»		373	400/3/50	1100	2,9	CCW
--HC--44ME-701--C	1/2»		373	230/3/50	900	2	CCW
--HC--44VE-232--C	1/2»		373	230/3/50	875	2	CCW
--HC--44VL-702--S	1/2»		373	230/3/50	925	2,7	CW
--HC--46VL-703--S	5/8»		560	230/3/50	925	3,9	CCW
--HC--52TE-231--C	5/8»		747	230/3/50	900	2,5	CCW
--HD--46VE-202--C	5/8»		560	230/3/50	950	3,25	REVERSIBLE
--HD--46VE-206--C	5/8»		560	400/3/50	950	3,25	REVERSIBLE
--HD--52AK-653--S	5/8»		747	400/3/50	950	3,8	REVERSIBLE



## FMV Motors

Ordering Reference	Capacity (Watt)	Voltage (V)	Weight (Kg)	Low speed (Laps/min)	High speed (Laps/minute)	Speed
--DK--12AB-024--EE	470	230/400	10	/	/	/
C025629H12	P1=0,94/0,64	400	17	670	900	2
C025664H01	P1=0,7/0,44	400	11	1050	1300	2
C025665H12	P1=2,6/1,6	400	25	1000	1310	2
C025665G01	P1=2,6/1,7	400	45	1000	1310	2

## CARRIER Motors

Ordering Reference	Shaft diameter size (mm)	Speed	Weight (Kg)	Capacity (Watt)	Voltage
D021708H01	12,7	5	2,906	10	230
D021709H01	12,7	5	2,906	20	230
D021710H01	12,7	5	4,238	53	230
D021563H02	12,7	3	4,1816	105	230
D021561H02	12,7	3	2,884	32	230
D021562H02	12,7	3	3,281	43	230
B036428H01	12,7	2	4,2	90	230
B035865H01	12,7	2	3,876	77	230
D021561H01	12,7	3	2,906	22	230
B032774H01	12,7	2	3,2285	42	230
B032776H01	12,7	2	3,9055	84	230
B033098H01	12,7	2	5,339	120	230

For other codes, please consult us

## SISME

### Motors

CW: Clockwise

CCW: anticlockwise

Ordering Reference	Voltage (V)	Speed (Laps/Min)	Low speed (Laps/Min)	High speed (Laps/min)	Rotation (facing air discharge)
0352015X39	220/240 - 50HZ/60HZ	800	500	1090	CW
0352015X69	220/240 - 60HZ	1100	950	1350	CCW
0352015X68	220/240 - 50HZ	1100	950	1350	CCW
0352015X43	220/240 - 50HZ/60HZ	NC	NC	920	NC
0352015X58	220/240 - 50HZ/60HZ	620/720	500	900	CW
0352015X74	220/240 - 50HZ/60HZ	NC	NC	1400	NC
0352015X59	220/240 - 50HZ/60HZ	750	500	920	CW
0352015X29	220/240 - 50HZ/60HZ	620/720	500	900	CCW
C024465H01	220/240 - 50HZ	710	660	760	CCW
C024465H02	220/240 - 50HZ	740	670	830	CCW



## CARRIER

FLYING BIRD fan propellers

CW : Clockwise

CCW : Anticlockwise

Ordering reference	Type	Bore (mm)	Total external diameter (mm)	Blades	Rotation (facing air discharge)
30GX-415---402--EE	FLYING BIRD 3	19	804,7	11	CCW
30GH-426---892--EE1	FLYING BIRD 1	19	803,6	15	CW
00PSG000000 101A	FLYING BIRD 4	23	798,6	9	CW

## CARRIER

Fan propellers

CW: Clockwise

CCW: anticlockwise

Ordering Reference	Blades	Bore (mm)	Total external diameter (mm)	Rotation (facing air discharge)
--LA--01LA-024--C	3	12,7	609,6	CCW
--LA--01LA-035--C	3	12,7	657,3	CW
--LA--04AA-330--S	3	15,8	762	CW
--LA--04RA-301--C	3	15,8	762	CW
--LA--01AB-200--S	4	12,7	507	CCW
--LA--01AB-201--S	4	12,7	508	CW
--LA--01AA-023--S	4	12,7	508	CW
--LA--01AA-025--S	4	12,7	513	CW
--LA--01AD-028--S	4	15,8	660,4	CW
--LA--01AD-032--S	4	15,8	660,4	CW
--LA--01AD-039--S	4	12,7	558,8	CW
--LA--01EW-032--C	4	15,8	762	CW
--LA--04AA-299--C	4	15,8	762	CW
--LA--01AB-026--S	4	12,7	508	CCW
--LA--01EA-030--C	6	15,75	762	CW





## FABRESSE

Fan propellers

CW: Clockwise

CCW: anticlockwise

Ordering Reference	Blades	Bore (mm)	Total external diameter (mm)	Rotation (facing air discharge)
--LA--12AA-006--EE	6	15,8	762	CW
--LA--12AA-007--EE	4	15,8	762	CW
--LA--12AA-008--EE	6	15,8	711	CW
--LA--12LA-002--EE	3	12,7	610	CW
--LA--12LA-003--EE	3	15,8	610	CW
--LA--12LA-016--EE	3	16	610	CW
--LA--01LA-030--C	3	15,8	762	CW
--LA--12AA-001--EE	3	15,8	660	CW
--LA--12AA-004--EE	3	12,7	610	CW

For other codes, please consult us



# CARRIER

Caps

Ordering Reference	Total external diameter (millimeter)	Bore (inche)
30GH-522---152--EE	300	
00PSG000000200A	309.4	
---P-251--0058--S	89	1/2
---P-251--0051--S	160	1/2
---P-251--0056--S	190	1/2
---P-251--0059--S	89	5/8
---P-251--0057--S	190	5/8
---P-251--0052--S	185	5/8

For other codes, please consult us

[www.carrier-ercd.com](http://www.carrier-ercd.com)



## NICOTRA

Fan motors

Ordering Reference	Air Flow (m3/h)	Propeller diameter size (mm)	Weight (Kg)	Absorption power - 50Hz (kW)	Motor power (Watt)	Supply voltage (V)	Working temperature (°C)
C024320H01	1120	146	10,9	190	64	230	-20 / +40
C024325H01	2500	198,6	20,4	637	405	230	-20 / +40
C024324H01	2100	198,6	20	600	295	230	-20 / +40
C024321H01	1430	185	14	261	72	230	-20 / +40
C024318H01	840	146	8	121	36	230	-20 / +40
C024322H01	1480	185	14	306	120	230	-20 / +40
C024323H01	2410	185	14	497	180	230	-20 / +40

For other codes, please consult us



## ECOFIT

Fan motors

HS: High speed. AS: Average speed. LS: Low speed

Ordering Reference	Propeller diameter size (mm)	External sizes (mm)	Weight (Kg)	Absorption power - 50Hz (kW)	Supply voltage (V)	Working temperature on 50Hz (°C)
42BJ514362M-	146X126	206X229X239	3,8	0,228	230	-20 / + 60
42BJ512012M-	160X160	197X226X264	5,7	0,254	230	-20 / + 60
42BJ573312M-	160X150	237X226X246	4,9	0,279	230	-20 / + 40
42BJ513442MB	160X160	192X226X262	6,15	HS: 0,258 AS :0,199 LS : 0,162	230	-20 / + 50
42GM500832M-	160X160	198X226X246	5,45	0,254	230	-20 / + 60
42BJ514382M-	200X180	229X326X391	9,35	0,165	230	-20 / + 60
42GR504002M-	225X63	123X326X372	5	0,131	230	-20 / + 70
42BJ513452MD	200X180	228X326X391	5,6	HS : 0,176 AS :0,154 LS : 0,145	230	-20 / + 50
42BJ513992MA	146X126	206X205X267	3,8	0,225	230	-20 / + 60

**EBM**

Fan motors

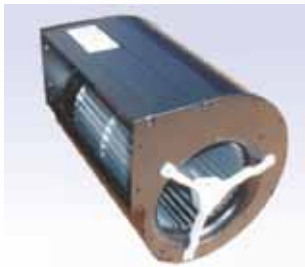
CW: Clockwise

CCW: anticlockwise

Motors & Propellers

Ordering Reference	Air Flow (m3/h)	Propeller diameter size (mm)	Total external diameter (mm)	Weight (Kg)	Absorption power - 50Hz (kW)	Supply voltage (V)	Rotation (Facing ari discharge)	Working temperature on 50Hz (°C)
42BJ450312MA	930	146	220	3,1	176	230	CCW	60 MAX
42EM504122MB	1255	160	241	5,5	150	230	CW	60 MAX
42GR505152M	395	160	226	3,2	170	230	CW	60 MAX
--DB--12DB-001--EE	340	130	172	1,1	45	230	CCW	50 MAX
42GR500134M	859	225	370	5	134	230	CW	55 MAX

For other codes, please consult us



## E.M.I. Fan motors

Ordering Reference	Propeller diameter size (mm)	Weight (Kg)	Absorption power - 50Hz (kW)	Motor power (Watt)	Supply voltage (V)	Working temperature on 50Hz (°C)
42EM500252M	1X160X240	6,2	121	48	230	32
42EM500262M	2X133X240	8,3	155	47	230	32
42EM503182M-	1X160X240	6,3	121	48	230	32
42EM503192M-	2X133X240	8,4	155	47	230	32
42EM500272M	2X160X240	11	300	116	230	32
42EM503202M-	2X160X240	11,4	300	116	230	32
42EL500022M	2X133X240	7,3	155	47	230	32
42EL500302M	1X133X240	6,4	125	35	230	32
42EL500522M	2X180X240	10,8	330	110	230	32
42EL500532M	2X180X240	10,8	330	140	230	32
42EL500032M	3X133X176	8,4	300	113	230	32



**CARRIER**

Fan motors

CW: Clockwise

CCW: anticlockwise

Ordering Reference	Total external diameter (mm)	Motor power (Watt)	Supply voltage (V)	Rotation (facing air discharge)	Speed
B034447H01	140	450	230	CW	4
B034456H01	120	115	230	CW	4
B034507H01	120	60	220-240	CW	NC
D021562H01	95	27	230	CW	3
B034508H01	120	80	230	CW	4
B034510H01	140	290	230	CW	4
C025629G01	850	NC	400	NC	NC

For other codes, please consult us

## WOODS

Fan assembly

This parts include motor, attachment, fan housing and fan propeller

CW : Clockwise

CCW : Anticlockwise

Ambient working temperature -20°C to +60°C

Ordering Reference	Air flow (m3/hour)	Propeller diameter size (millimeter)	Total external diameter (millimeter)	Weight (Kgs)	Absorption power (Kw)	Motor power (Watt)	Rotation (facing air discharge)	Working temperature (°C)
--NB--12DC-002--EE	7000	560	654	27	0,68	900/120	CCW	-20°C / +60°C
--NB--12DC-003--EE	9000	560	654	36	1,05	1580 / 23	CCW	-20°C / +60°C
--NB--12DC-004--EE	14000	710	804	51	1,57	2730 / 340	CCW	-20°C / +60°C
--NB--12DC-005--EE	17000	710	804	51	2,44	2730 / 340	CCW	-20°C / +60°C
--NB--12DC-006--EE	21000	710	804	94	4,77	5540 / 720	CCW	-20°C / +60°C

## SIEMENS

Fan assembly



This parts includes motor, attachment, fan housing and fan propeller

CW : Clockwise

CCW : Anticlockwise

Ambient working temperature -20°C to +60°C

Ordering Reference	Air flow (m3/hour)	Propeller diameter size (millimeter)	Total external diameter (mm)	Hight speed (laps/minute)	Low speed (laps/minute)	Weight (Kgs)	Absorption power (Kw)	Motor power (Watt)	Rotation (facing air discharge)	Working temperature (°C)
--NB--12DD-001--EE	6984	560	695	1380	685	25	0,21/0,89	150/700	CW	-20°C / +70°C
--NB--12DD-002--EE	9000	560	695	1370	695	29	0,45 / 1,25	220 / 1000	CW	-20°C / +70°C
--NB--12DD-003--EE	14000	710	840	1415	720	42	0,56 / 1,9	500 / 2000	CW	-20°C / +70°C
--NB--12DD-004--EE	16992	710	840	1440	720	50	0,8 / 3,4	900 / 3600	CW	-20°C / +70°C
--NB--12DD-005--EE	21000	710	840	1420	720	67	0,9 / 5,5	1100 / 4700	CW	-20°C / +70°C



## WILO IE2 Single hydraulic pumps

Hydraulic

Ordering Reference	Type	Technical specification	Spacer	Weight (Kg)	L1 max (mm)	In (400V) (A)	Ia (A)	Cos Phi	Power (kW)	Ia (A)	IA/IN	Cos Phi	Eta [%] 100%	Eta [%] 75%	Eta [%] 50%	Weight (Kg)
30RA-506---572--EB	SHC12-125/0.75	CONNECTEUR HIRSCHMANN	NO	13,9	396	1,91	11,269	0,82	0,75							
30RA-507---142--EB	SHC12-136/1.1	CONNECTEUR HIRSCHMANN	NO	15,3	396	2,8	19,32	0,83	1,1							
30RA-507---152--EB	SHC12-136/1.1	CONNECTEUR HIRSCHMANN	NO	15,3	396	2,8	19,32	0,83	1,1							
30RA-506---582--EB	SHC20-126/1.5	CONNECTEUR HIRSCHMANN	NO	19,5	434	3,7	25,9	0,83	1,5							
30RA-506---602--EB	SHC20-134/1.85	CONNECTEUR HIRSCHMANN	NO	21,7	434	5,2	34,32	0,83	2,2							
30RW-500---012--EB	SHC20-134/1.85	CONNECTEUR HIRSCHMANN	NO	21,7	434	5,2	34,32	0,83	2,2							
30RW-505---432--EF	LRL205-15/4	CONNECTEUR HIRSCHMANN + PTO	YES, M10*19 (2053837)	46,5	421,5	7,7	73,15	0,87	4							
30RA-511---552--EF	LRL206-15/5.5	CONNECTEUR HIRSCHMANN + PTO	NO	78	531	10,7	95,23	0,85	5,5							
00PPG000031100D	IPL65/120(111,5)-2,2/2	2,2	1	90	STD	IPL65/120-2,2/2	YES	381,5	4,4	36,52	8,3	0,89	83,4	82,9	80,5	37
00PPG000031200D	IPL65/130(122)-3/2	3	2	100	STD	IPL65/130-3/2	YES	394	5,8	36,52	9,6	0,88	84,8	84,5	83,1	43
00PPG00004000D	IPL65/140-4/2	4	3	112	STD	IPL65/140-4/2	YES	427,5	7,7	73,15	9,5	0,87	86,1	85,7	84,3	49
00PPG000031300D	IPL80/140(132)-4/2	4	3	112	STD	IPL80/140-4/2	YES	433,5	7,7	73,15	9,5	0,87	86,1	85,7	84,3	52,5
00PPG000031500D	IPL50/155-4/2	4	4	112	STD	IPL50/155-4/2	YES	463	7,7	73,15	9,5	0,87	86,1	85,7	84,3	63,2
00PPG000031400D	IPL80/145-5,5/2	5,5	5	132	STD	IPL80/145-5,5/2	YES	528	10,2	91,8	9	0,87	88,6	86,9	85,2	81,1
00PPG000031600D	IPL65/165-5,5/2	5,5	6	132	STD	IPL65/165-5,5/2	YES	531	10,2	91,8	9	0,87	88,6	86,9	85,2	78,2
00PPG000031700D	IPL65/175(148)-7,5/2	7,5	7	132	STD	IPL65/175-7,5/2	YES	531	13,7	123,3	9	0,9	88,5	87,7	85,9	84,5
00PPG000031800D	IL65/170(163)-11/2	11	8	160	STD	IL65/170-11/2	YES	788	20,5	164	8	0,9	90,5	89,3	87,5	150

For other codes, please consult us



## WILO

Single hydraulic pumps

Winding class F. IP54 protection. Tropicalization: HR90%.  
Wired by DIN plugs

Ordering Reference	Type	Weight (Kg)	Voltage (V)	Speed (laps/minute)	Nominal diameter	Engine protection type
30RA-500---612--EE	LRL 204-12 1,5	34,5	400/3/50	2900		
30RW-500---032--EE	SIL 205-14/4	75	400/3/50	2900	50	IPSOTHERME
30RY-500---002--EE	HYDROSON HY 403-T	9,4	400/3/50	2900		
00PSG000637000A	LRN 208-13/5,5	85	400/3/50	2900	80	IPSOTHERME
--DM--12CA-002--EE	LRL203 - 10 / 0,55	27,5	230 - 400	1450-2900	32	
--DM--12CA-003--EE	LRL205 - 11 / 0,75	31	230 - 400	1450-2900	50	
--DM--12CA-004--EE	LRL206 - 12 / 1,5	40,5	230 - 400	1450-2900	65	



## GRUNDFOS

Single hydraulic pumps

Hydraulic

Ordering Reference	Type	Weight (Kg)	Voltage (V)	Speed (laps/minute)	Nominal diameter (mm)	Motor protection type	Nominal pressure (bar)	Water flow rate (L/H)
00000000096401990	IN-LINE CIRCULATOR PUMP	24	400-50 HZ	2750	40	THERMAL SWITCH, MUST BE EXTERNALLY PROTECTED	0,9	14000
00PPG000457600A	HORIZONTAL, SINGLE STAGE, COMPOSITE PUMP	12,3	400-50 HZ	2838	25	THERMAL SWITCH, MUST BE EXTERNALLY PROTECTED	1,18	14000
00PPG000457700A	HORIZONTAL, SINGLE STAGE, COMPOSITE PUMP	14,8	400-50 HZ	2892	25	THERMAL SWITCH, MUST BE EXTERNALLY PROTECTED	1,35	18000
00PPG000457900A	HORIZONTAL, SINGLE STAGE, COMPOSITE PUMP	22	400-50 HZ	2863	25	THERMAL SWITCH, MUST BE EXTERNALLY PROTECTED	2,02	28000
00PPG000457800A	HORIZONTAL, SINGLE STAGE, COMPOSITE PUMP	17	400-50 HZ	2865	25	THERMAL SWITCH, MUST BE EXTERNALLY PROTECTED	1,75	22000

For other codes, please consult us



## ITT

Single hydraulic pumps

Ordering Reference	Weight (Kg)	Voltage (V)	Speed (laps/minute)	Motor protection type	Nominal diameter (inch)	Nominal pressure (bar)	Isolation class
C024526H01	13	230/400	2850	IP55	1-1/4 ; 1	1,45	F
C024525H01	11,5	230/400	2850	IP55	1-1/4 ; 1	2,32	F





## WILO IE2 Double hydraulic pumps

Hydraulic

Ordering Reference	Type	Technical specification	Spacer	Weight (Kg)	L1 max (mm)	In (400V) (A)	Ia (A)	Cos Phi	Power (kW)	Ia (A)	IA/IN	Cos Phi	Eta [%] 100%	Eta [%] 75%	Eta [%] 50%	Weight (Kg)
30RW-500---052--EF	DIL206-15/5.5	CONNECTEUR HIRSCHMANN + PTO	NO	197	614	10,2	91,8	0,9	5,5							
30RW-505---442--EF	JRL204-13/2.2	CONNECTEUR HIRSCHMANN + PTO	YES, M10*25 (2053838)	62,5	373	4,13	31,4	0,92	2,2							
30RW-505---452--EF	JRL205-15/4	CONNECTEUR HIRSCHMANN + PTO	YES, M10*25 (2053838)	88,3	421,5	7,7	73,15	0,9	4							
30RA-509---372--EB	JRL205-14/3	CONNECTEUR HIRSCHMANN + PTO	NO	76,3	388	5,8	55,68	0,88	3							
30RA-511---562--EF	JRL206-15/5.5	CONNECTEUR HIRSCHMANN + PTO	NO	154	520,8	10,7	95,23	0,85	5,5							
00PPG000005100D	DPL65/120(111,5)-2,2/2	2,2	1	90	STD	DPL65/120-2,2/2	YES	3581,5	4,4	36,52	8,3	0,89	83,4	82,9	80,5	71,8
00PPG000032000D	DPL65/120(111,5)-2,2/2	2,2	1	90	DIFFERENT	DPL65/120-2,2/2	YES	381,5	4,4	36,52	8,3	0,89	83,4	82,9	80,5	71,8
00PPG000005200D	DPL65/130(122)-3/2	3	2	100	STD	DPL65/130-3/2	YES	394	5,8	55,68	9,6	0,88	84,8	84,5	83,1	83,8
00PPG000032100D	DPL65/130(122)-3/2	3	2	100	DIFFERENT	DPL65/130-3/2	YES	394	5,8	55,68	9,6	0,88	84,8	84,5	83,1	83,8
00PPG000005300D	DPL65/140-4/2	4	3	112	STD	DPL65/140-4/2	YES	427,5	7,7	73,15	9,5	0,87	86,1	85,7	84,3	95,5
00PPG000032200D	DPL80/140(132)-4/2	4	3	112	DIFFERENT	DPL80/140-4/2	YES	433,5	7,7	73,15	9,5	0,87	86,1	85,7	84,3	99
00PPG000005600D	DPL50/155-4/2	4	4	112	STD	DPL50/155-4/2	YES	463	7,7	73,15	9,5	0,87	86,1	85,7	84,3	107,4
00PPG000032400D	DPL50/155-4/2	4	4	112	DIFFERENT	DPL50/155-4/2	YES	463	7,7	69,3	9,5	0,87	86,1	85,7	84,3	107,4
00PPG000032300D	DPL80/145-5,5/2	5,5	5	132	STD	DPL80/145-5,5/2	YES	547,5	10,2	91,8	9	0,87	88,6	86,9	85,2	159,8
00PPG000032500D	DPL65/165-5,5/2	5,5	6	132	DIFFERENT	DPL65/165-5,5/2	YES	520,8	10,2	91,8	9	0,87	88,6	86,9	85,2	164,8
00PPG000005800D	DPL65/165-5,5/2	5,5	6	132	STD	DPL65/165-5,5/2	YES	520,8	10,2	91,8	9	0,87	88,6	86,9	85,2	164,8
00PPG000032600D	DPL65/175(148)-7,5/2	7,5	7	132	STD	DPL65/175-7,5/2	YES	520,8	13,7	123,3	9	0,9	88,5	87,7	85,9	177,4
00PPG000032700D	DL65/170(163)-11/2	11	8	160	STD	DL65/170-11/2	YES	778	20,5	164	8	0,9	90,5	89,3	87,5	304

For other codes, please consult us



## WILO

Double hydraulic pumps

Winding class F. IP54 protection. Tropicalization: HR90%

Wired by DIN plugs

For mechanic seals motors package and others parts, upon request

Ordering Reference	Type	Weight (Kg)	Voltage (V)	Speed (laps/minute)	Nominal diameter	Engine protection type	Nominal pressure (bar)
30RA-500---652--EE	JRL 204-12 1,5	65	400/3/50	2900			10
30RA-506---712--EE	JRL 204-13	72	400/3/50	2900			10
30RW-500---052--EE	DIL 206-15/5,5	188	400/3/50	2900	65	IPSOTHERME	16
--DM--12CA-005--EE	JRL203 - 10 / 0,55	52	230 - 400	1450-2900	32		10
--DM--12CA-006--EE	JRL205 - 11 / 0,75	58	230 - 400	1450-2900	50		10
--DM--12CA-007--EE	JRL206 - 12 / 1,5	74	230 - 400	1450-2900	65		10



## VICTAULIC

Hydraulic collars

ST75 Collars. Coating galvanized/painted. Bolting Geomet/  
Electrogalvanized.

Standard EPDM gasket for water or FS-V ( Neopren) Flusheal for  
use on application

Ordering Reference	Connection size (inch)	Total external diameter (mm)	Weight (Kg)	Maximum working pressure (bar)
--BA--12LA-001--EE	1(1/2)	48,3	0,6	34,5
--BA--12LA-002--EE	2	60,3	0,8	34,5
--BA--12LA-003--EE	1(1/4)	42,2	0,6	34,5
--BA--12LA-004--EE	3	76,1	0,9	34,5
--BA--12LA-005--EE	3	88,9	1,6	34,5
--BA--12LA-006--EE	4	114,3	1,9	34,5
--BA--12LA-007--EE	5	141,3	2,6	31
--BA--12LA-008--EE	6	168,3	3,2	31
--BA--12LA-009--EE	8	219,1	5,6	31
00PPG000469501A	10	273	14,1	55



## CARRIER

Flow switch

Ordering Reference	Piping diameter size (inch)	Connection size (inch)	Adjustment margin with increasing flow (liters/hour)	Adjustment margin with decreasing flow (liters/hour)	Nominal pressure (bar)	Maximum working temperature (°C)	Opening point
00PPG000471400A	1-1/4 - 1-1/2		650-800 / 850-1200	600-900 / 850-1200	10	100	220V/1A - 26VA
--CY--12WA-001--EE	1-1/4	3/4 FEMALE LEFT	990-1280	950-1220	25	110	220V/1A - 26VA
--CY--12WA-003--E-	1-1/2	3/4 FEMALE LEFT	1590-2070	1530-1950	25	110	220V/1A - 26VA
--CY--12WA-005--EE	2-1/2	3/4 FEMALE LEFT	3500-4900	3300-4500	25	110	220V/1A - 26VA
--CY--12WA-007--EE	FROM 2 TO 3	3/4 FEMALE LEFT	1800-2500 / 3600-3450 / 3400-4500	1750-2400 / 2400-3100 / 3150-4050	10	100	220V/1A - 26VA
0170701H15	DN20	3/4 FEMALE LEFT	/	180	10	100	220V/1A - 26VA
0170701H14	DN20	3/4 FEMALE LEFT	/	420	10	100	220V/1A - 26VA
0170701H13	DN32	3/4 FEMALE LEFT	/	910	10	100	220V/1A - 26VA
--HR--12AA-002--EE		1 NPT MALE	/	/	10	120	230V
00PPG000472900A		1/4 NPT MALE	/	/	30	80	24V
--HR--12AA-004--EE		1 NPT MALE	/	/	10		230V
00PPG000030500A		1/2 NPT	/	/	25	60	24V



## ISOCEL Taps

Ordering Reference	Gaz thread	Maximum working pressure (bar)	Working temperature (°C)
--XL--12HA-015--EE	1/4 M - 1/4 F	10	-10/ +60
--XL--12HA-016--EE	1/4 F - 1/4 F	10	-10/ +60



## CARRIER

Hydraulic safety valves

Ordering Reference	Inlet/Outlet diameter (inch)	Release pressure (bar)
00PPG000030800A	«3/8 NTP / 1/2» SAE	23
00PPG000030801A	«3/8 NTP / 1/2» SAE	34
00PPG000030804A	«3/8 NTP / 1/2» SAE	21
3030/44C/160	«1/2» NTP / 3/4» G	16
3030/44C/210	«1/2» NTP / 3/4» G	21
3030/44C/245	«1/2» NTP / 3/4» G	24,5
3030/44C/340	«1/2» NTP / 3/4» G	34
3030/66C/150	3/4 NTP / 3/4 G	15
3030/66C/170	3/4 NTP / 3/4 G	17
3030/66C/185	3/4 NTP / 3/4 G	18,5
3030/66C/245	3/4 NTP / 3/4 G	24,5
3030/66C/280	3/4 NTP / 3/4 G	28
3030/88C/127	1» NTP / 1,1/4» G	12,5
3030/88C/245	1» NTP / 1,1/4» G	24,5
3060/34C/320	3/8» NTP / 1/2» SAE	32
3060/45C/165	1/2» NPT / 5/8» SAE	16,5
3060/45C/185	1/2» NPT / 5/8» SAE	18,5
3060/45C/280	1/2» NPT / 5/8» SAE	28
3060/46C/245	1/2» NPT / 3/4» G	24,5
3060/46C/250	1/2» NPT / 3/4» G	25
3060/46C/300	1/2» NTP / 3/4» G	30





## CARRIER

Hydraulic safety valves

Ordering Reference	Inlet/Outlet diameter (inch)	Release pressure (bar)
--UM--12AP-013--EE	1» NTP / 1,1/4» G	12,5
--UM--12AQ-014--E-	1/2» NPT / 5/8» SAE	14
--UM--12AQ-019--EE	1/2» NPT / 5/8» SAE	19
--UM--12AQ-020--EE	1/2» NPT / 5/8» SAE	20
--UM--12AQ-021--EE	1/2» NPT / 5/8» SAE	21
--UM--12AQ-023--EE	1/2» NPT / 5/8» SAE	23
--UM--12AQ-025--EE	1/2» NPT / 5/8» SAE	25
--UM--12AQ-030--EE	1/2» NPT / 5/8» SAE	30
--UM--12AQ-032--EE	1/2» NPT / 5/8» SAE	32
--UM--12AQ-045--EE	1/2» NPT / 5/8» SAE	45
--UM--12AQ-047--EE	1/2» NPT / 5/8» SAE	47
--UM--12LA-040--E-	1/2» NPT	12,5
--UM--12LA-047--EE	1 MPT / 1 FPT	12,2
--UM--12LA-025--E-	1/2 MALE GAZ/ 3/4 FEMELLE GAZ	3
--UM--12LA-029--EE	1/2 F - 3/4 F	4
0150106H01	1/2» M	3
--UM--12LA-020--EE	3/4 F	4



**ISOCEL**  
Brass tap valves

Ordering Reference	Connection size (inch)	Maximum working pressure (bar)	Working temperature (°C)	Threading type
--XL--12GE-001--EE	2 FEMALE	10	- 10 / + 100	GAZ

## HYDRAULIC / EXPANSION TANK



**ISOCEL**  
Expansion tank

Connection 3/4 inch male, fixation collar not shipped with

Ordering Reference	Capacity (Liter)	Total external diameter (mm)	Total high (mm)
--XW--12PA-004--EE	12	252	334
--XW--12PA-001--EE	8	202	338
--XW--12PA-002--EE	18	302	350
--XW--12PA-003--EE	25	302	448
--XW--12PA-005--EE	35	404	392
--XW--12PA-006--EE	50	404	510



## CARRIER

Water filters (integrated strainer)

Ordering Reference	Type	Connection size (inch)	Thread	Maximum working pressure (bar)
--XH--12AB-012--EE	Y-INOX	2	GAZ	16
--XH--12AB-013--EE	Y-INOX	2-1/2	GAZ	16
--XH--12AB-014--E-	Y-INOX	2	GAZ	16
--XH--12AB-015--E-	Y-INOX	1-1/4	GAZ	16
30RA-411---312--EE	STRAIGHT INOX	2-1/2	/	/
30RA-411---382--EF	STRAIGHT INOX	2	/	/



## ISOCEL

Stainless steel hydraulic flexibles

Gasket code are:

-UX-12BB-006-EE: external diameter 18mm

-UX-12BB-008-EE: external diameter 24mm

Ordering Reference	Connection size (inch)	Internal diameter (mm)	Lenght (mm)	Maximum working pressure (bar)	Maximum working temperature (°C)
--CF--12GY-030--EE	3/4 F/F	12	300	20	+100°C
--CF--12EA-008--EE	1/2 F/F	10	800	10	+100°C
--CF--12GY-100--EE	3/4 F/F	12	1000	20	+100°C
--CF--12GY-050--EE	3/4 F/F	12	500	20	+100°C
--CF--12GY-120--EE	3/4 F/F	10	1200	15	+100°C
00PPG000007301A	1/2 F/M	10	800	15	+100°C
00PPG000007401A	1/2 F/M	10	1300	15	+100°C
00PPG000003301A	F-3/4 M-1/2	10	900	15	+100°C
00PPG000003302A	F-3/4 M-1/2	10	2000	15	+100°C
00PPG000003303A	F-3/4 M-1/2	10	1300	15	+100°C



## IFT Flexibles

Ordering Reference	Connection size (inch)	Internal diameter (mm)	Lenght (mm)	Maximum working pressure (bar)
CF12GT065EE	F 1/2" - F 1/2"	12	650	16
CF12GV065EE	F1/2" - F 1/2"	12	650	16
CF12GU100EE	F1/2" - M 1/2"	12	1000	16
CF12GS100EE	F1/2" - M1/2"	12	1000	16
CF12GV095EE	F1/2" - F 1/2"	12	950	16

For other codes, please consult us

[www.carrier-ercd.com](http://www.carrier-ercd.com)



## SWEP Plate exchangers

Ordering Reference	Number of plates	Heat exchanger thickness (mm)	Weight (kg)	Refrigerant side volume (L)	Water side volume (L)	Max refrigerant side operating pressure (bar)	Max water side operating pressure (bar)	Min/Max refrigerant side temperature (°C)	Min/Max water side temperature (°C)
00PPG000458001A	88	201,1	17,06	4,773	4,884	32	32	-196/145	-30/145
00PPG000458002A	116	263,8	21,82	6,327	6,438	32	32	-196/145	-30/145
00PPG000458201A	68	165,7	37,7	7,95	8,19	32	32	-196/145	-30/145
00PPG000458202A	80	193,2	42,6	9,4	9,64	32	32	-196/145	-30/145
00PPG000458203A	100	239	50,7	11,81	12,05	32	32	-196/145	-30/145
00PPG000458204A	136	321,4	65,2	16,15	16,39	32	32	-196/145	-30/145
00PPG000458206A	202	472,6	91,9	24,1	24,34	32	32	-196/145	-30/145
00PPG000460801A	14	35,7	1,88	0,252	0,294	31	31	-196/155	-196/155
00PPG000460802A	20	49,1	2,3	0,378	0,42	31	31	-196/155	-196/155
00PPG000461001A	20	48,8	4,13	0,738	0,82	31	31	-196/155	-196/155
00PPG000461002A	30	71,2	5,33	1,148	1,23	31	31	-196/155	-196/155
00PPG000461003A	40	93,6	6,53	1,558	1,64	31	31	-196/155	-196/155
00PPG000463401A	46	115	14,8	2,44	2,55	45	31	-196/155	-30/90
00PPG000463402A	54	133	16,4	2,89	3	45	31	-196/155	-30/90
00PPG000463403A	60	146,4	17,5	3,22	3,33	45	31	-196/155	-30/90
00PPG000463404A	72	173,3	19,8	3,89	4	45	31	-196/155	-30/90
00PPG000463405A	86	204,6	22,6	4,66	4,77	45	31	-196/155	-30/90
00PPG000463406A	100	236	25,3	5,44	5,55	45	31	-196/155	-30/90
00PPG000464201A	106	252,7	53,5	12,32	12,4	45	28	-196/135	-30/90
00PPG000464202A	126	298,5	61,9	14,69	14,74	45	28	-196/135	-30/90
00PPG000465701A	72	174,9	40,8	8,44	8,676	45	45	-196/135	-30/90
00PPG000465702A	82	197,8	45,1	9,64	9,981	45	45	-196/135	-30/90
00PPG000465703A	94	225,3	50,1	11,09	11,327	45	45	-196/135	-30/90
00PPG000471901A	46	115	14,8	2,44	2,55	45	31	-196/135	-30/90
00PPG000471902A	54	133	16,4	2,89	3	45	31	-196/135	-30/90
00PPG000471903A	60	146,4	17,5	3,22	3,33	45	31	-196/135	-30/90
00PPG000471904A	72	173,3	19,8	3,89	4	45	31	-196/135	-30/90
00PPG000471905A	86	204,6	22,6	4,66	4,77	45	31	-196/135	-30/90
00PPG000471906A	100	236	25,3	5,44	5,55	45	31	-196/135	-30/90
--EU--12CA-040--EE	40	93,6	9,25	2,11	2,22	31	31	-196/155	-196/155
--EU--12CC-020--EE	20	55,8	19	2,2	2,4	31	31	-196/155	-196/155

For other codes, please consult us



## SWEP Plate exchangers

Ordering Reference	Number of plates	Heat exchanger thickness (mm)	Weight (kg)	Refrigerant side volume (L)	Water side volume (L)	Max refrigerant side operating pressure (bar)	Max water side operating pressure (bar)	Min/Max refrigerant side temperature (°C)	Min/Max water side temperature (°C)
--EU--12CC-030--EE	30	78,7	23	3,3	3,7	31	31	-196/155	-196/155
--EU--12CC-040--EE	40	101,6	27,23	4,6	4,8	31	31	-196/155	-196/155
--EU--12CC-050--EE	50	124,5	31,5	5,8	6	31	31	-196/155	-196/155
--EU--12CC-080--EE	80	193,2	44,2	9,4	9,64	31	31	-196/155	-196/155
--EU--12CD-020--EE	20	55	13,8	1,6	1,8	31	31	-196/155	-196/155
--EU--12CD-050--EE	50	125	24	4,3	4,5	31	31	-196/155	-196/155
--EU--12CD-060--EE	60	148,4	27,4	5,2	5,4	31	31	-196/155	-196/155
--EU--12CE-020--EE	20	49	3,3	0,55	0,6	31	31	-196/155	-196/155
--EU--12CF-034--EE	34	88	24	3,9	4,1	31	31	-196/155	-196/155
--EU--12CF-050--EE	50	124,5	30,5	5,8	6	31	31	-196/155	-196/155
--EU--12CJ-040--EE	40	101,6	20,6	3,4	3,6	31	31	-196/155	-196/155
--EU--12CO-026--EE	26	62,2	6,6	1,33	1,44	31	28	-196/155	-196/155
--EU--12CO-040--EE	40	93,6	8,94	2,11	2,22	31	28	-196/155	-196/155
--EU--12CO-050--EE	50	116	10,58	2,67	2,78	31	28	-196/155	-196/155
--EU--12CO-060--EE	60	138,4	12,22	3,22	3,33	31	28	-196/155	-196/155
--EU--12CP-026--EE	26	62,2	7,42	1,33	1,44	31	28	-196/155	-196/155
--EU--12CP-030--EE	30	71,2	8,2	1,56	1,67	31	28	-196/155	-196/155
--EU--12CP-036--EE	36	84,6	9,36	1,89	2	31	28	-196/155	-196/155
--EU--12CP-050--EE	50	116	12,08	2,67	2,78	31	28	-196/155	-196/155
--EU--12CP-060--EE	60	138,4	14,02	3,22	3,33	31	28	-196/155	-196/155
--EU--12CR-060--EE	60	147,4	35,71	7	7,23	31	31	-196/155	-196/155
--EU--12CR-070--EE	70	170,3	39,95	8,2	8,4	31	31	-196/155	-196/155
--EU--12CR-090--EE	90	216,1	48,43	10,6	10,85	31	31	-196/155	-196/155
--EU--12CT-050--EE	50	124,5	30,47	5,8	6,02	31	31	-196/155	-196/155
--EU--12CT-060--EE	60	147,4	34,51	7	7,23	31	31	-196/155	-196/155
--EU--12CW-126--EE	126	323,4	107,7	26	26,4	32	10	-30/140	-30/60
--EU--12CW-222--EE	222	558	173	46,2	46,8	32	10	-30/140	-30/60
--EU--12CX-166--EE	166	408,7	122,15	33,3	34,94	32	10	-30/140	-30/60
--EU--12CX-222--EE	222	542,6	158,55	44,66	43,76	32	10	-30/140	-30/60
--LL--01SB-040--EE	34	80,2	7,96	1,78	1,89	31	28	-196/155	-196/155
--LL--01SB-048--EE	66	151,8	15,18	3,55	3,66	31	28	-196/155	-196/155

For other codes, please consult us



## SWEP Plate exchangers

Ordering Reference	Number of plates	Heat exchanger thickness (mm)	Weight (kg)	Refrigerant side volume (L)	Water side volume (L)	Max refrigerant side operating pressure (bar)	Max water side operating pressure (bar)	Min/Max refrigerant side temperature (°C)	Min/Max water side temperature (°C)
--LL--01SB-052--EE	84	192,2	18,68	4,55	4,66	31	28	-196/155	-196/155
--LL--01SB-054--EE	100	228	21,78	5,44	5,55	31	28	-196/155	-196/155
00PPG000480501A	72	174,9	40,8	8,44	8,676	45	45	-196/135	-30/90
00PPG000480502A	82	197,8	45,1	9,64	9,981	45	45	-196/135	-30/90
--LL--01SB-044--C	50	116	12,08	2,66	2,77	31	28	-196/155	-196/155
00PPG000480503A	94	225,3	50,1	11,09	11,327	45	45	-196/135	-30/90





## ALPHA LAVAL

### Plate exchangers

Ordering Reference	Number of plates	Heat exchanger thickness (mm)	Weight (kg)	Refrigerant side volume (L)	Water side volume (L)	Max refrigerant side operating pressure (bar)	Max water side operating pressure (bar)	Min/Max refrigerant side temperature (°C)	Min/Max water side temperature (°C)
--EU--12CN-092--EE	92	227,2	48,1	9,5	9,7	32	10	-30/130	-30/60
--EU--12CN-116--EE	116	283,6	58,6	11,97	12,2	32	10	-30/130	-30/60
--EU--12CN-170--EE	170	494	82	17,64	17,9	32	10	-30/130	-30/60
--EU--12CN-582--EE	82	277	40	#VALUE!	8,61	32	32	-196/+150	-196/+150
--EU--12CN-584--EE	84	NC	NC	#VALUE!	8,82	32	32	-196/+150	-196/+150
--EU--12CN-594--EE	94	305	45,3	#VALUE!	9,87	32	32	-196/+150	-196/+150
--EU--12CN-610--EE	110	353	55,2	#VALUE!	11,55	32	32	-196/+150	-196/+150
--EU--12CN-616--EE	116	357	56,2	#VALUE!	12,18	32	32	-196/+150	-196/+150
--EU--12CN-628--EE	128	385	60,5	#VALUE!	13,44	32	32	-196/+150	-196/+150
--EU--12CN-648--EE	148	442	72,1	#VALUE!	15,54	32	32	-196/+150	-196/+150
--EU--12CU-034--EE	34	96,1	9,7	1,5	1,6	32	10	-30/130	-30/60
--EU--12CU-042--EE	42	110,8	11,5	1,9	2	32	10	-30/130	-30/60
--EU--12CU-048--EE	48	125,2	12,9	2,2	2,3	32	10	-30/130	-30/60
--EU--12CU-062--EE	62	158,8	16,1	2,8	2,3	32	10	-30/130	-30/60
--EU--12CU-162--EE	62	158,8	16,1	2,8	2,9	32	10	-30/130	-30/60
--EU--12CV-090--EE	90	209±3	42,6	7,04	7,20	32	10	-30/130	-30/60
--EU--12CV-102--EE	102	235±3	47,2	8,00	8,16	32	10	-30/130	-30/60
--EU--12CV-122--EE	122	280±4	54,8	9,60	9,76	32	10	-30/130	-30/60
--EU--12CV-142--EE	142	325±4	62,4	11,20	11,36	32	10	-30/130	-30/60
--EU--12CV-162--EE	162	369±5	70	12,80	12,96	32	10	-30/130	-30/60
--EU--12FA-002--EE	74	186	40,2	#VALUE!	7,77	32	32	-196/+150	-196/+150
--EU--12FA-003--EE	46	120	27,8	#VALUE!	4,83	32	32	-196/+150	-196/+150



## ALPHA LAVAL

### Plate exchangers

Ordering Reference	Number of plates	Heat exchanger thickness (mm)	Weight (kg)	Refrigerant side volume (L)	Water side volume (L)	Max refrigerant side operating pressure (bar)	Max water side operating pressure (bar)	Min/Max refrigerant side temperature (°C)	Min/Max water side temperature (°C)
00PPG000445501A	16	61	17	1,75	2	45	10	160/130	-30/90
00PPG000445502A	30	100	23	3,5	3,8	45	10	160/130	-30/90
00PPG000445503A	44	139	29	5,25	5,5	45	10	160/130	-30/90
00PPG000445504A	60	185	36	7,25	7,5	45	10	160/130	-30/90
00PPG000466503A	162	359,68	70,5	16	12,64	45	31	196/150	-30/90
00PPG000466504A	210	462,4	90,9	20,8	16,38	45	31	196/150	-30/90
B036087H07	20	100	6,6	#VALUE!	0,95	32	32	-196/+150	-196/+150
0460106H12	48	130	5,4	#VALUE!	0,672	50	50	-196/+90	-196/+90
0460106H18	72	166	7,5	#VALUE!	1,008	50	50	-196/+90	-196/+90
0460106H19	48	126	5,2	#VALUE!	0,672	50	50	-196/+90	-196/+90
0460106H20	72	162	7,3	#VALUE!	1,008	50	50	-196/+90	-196/+90
0460106H25	72	45	1,8	#VALUE!	1,008	50	50	-196/+90	-196/+90
0460106H26	10	48	2	#VALUE!	0,14	50	50	-196/+90	-196/+90
0460106H27	60	191	13	#VALUE!	2,85	45	45	-196/+150	-196/+150
0460106H28	68	230	14,8	#VALUE!	3,23	45	45	-196/+150	-196/+150
B034016H03	46	49	11	#VALUE!	2,185	30	20	-196/+120	-196/+120
B034016H04	60	191	13,1	#VALUE!	2,85	32	32	-196/+150	-196/+150
B035447H01	38	52	10,6	#VALUE!	1,805	48	48	-196/+100	-196/+100
B036087H01	30	122	7,6	#VALUE!	1,425	45	45	-196/+150	-196/+150
B036087H02	26	113	6,9	#VALUE!	1,235	32	32	-196/+150	-196/+150
B036087H05	14	85	4,7	#VALUE!	0,665	32	32	-196/+150	-196/+150
B036087H09	18	94	5,4	#VALUE!	0,855	32	32	-196/+150	-196/+150
B036087H10	38	140	9	#VALUE!	1,805	45	45	-196/+150	-196/+150
CB60-60HF	60	NC	NC	#VALUE!	3,09	40	40	-196/+90	-196/+90
--EU--12CN-110--E-	110	323	106	24,3	23,1	32	10	-50/150	-50/90
--EU--12CN-036--EE	36	95,6	23,4	3,6	3,8	32	10	-30/130	-30/60
--EU--12CN-046--EE	46	119,1	27,8	4,6	4,8	32	10	-30/130	-30/60
--EU--12CN-058--EE	58	147,3	33,1	5,9	6,1	32	10	-30/130	-30/60
--EU--12CN-064--EE	64	161,4	35,8	6,5	6,7	32	10	-30/130	-30/60
--EU--12CN-074--EE	74	184,9	40,2	7,6	7,8	32	10	-30/130	-30/60
--EU--12CN-086--EE	86	213,1	45,4	8,82	9	32	10	-30/130	-30/60

For other codes, please consult us



## ASPEN SALINA

Peristaltic pumps for condensate removal

Ordering Reference	Pump rating	Water flow rate L/H	Size (millimeter)	Conduit size L x l x mm	Discharge head max	Sound level dB(A)	Weight (Kgs)
157AS00001	MONO 230/240	6,25	115 X 135 X 77	-	12 M	30	1,4
157AS00002	MONO 230/240	6,25	115 X 135 X 77	-	12M	30	1,4

# HYDRAULIC / TANK PUMPS



## ASPEN SALINA

Tank pumps to collect condensate water from refrigeration and air conditioning units

Ordering Reference	Pump rating	Water flow rate L/H	Size (millimeter)	Conduit size L x l x mm	Discharge head max	Sound level dB(A)	Weight (Kgs)
157AS00008	MONO 230/240	288	140 X 235 X 140	-	4.6 M	60	1,7
157AS00009	MONO 230/240	288	170 X 235 X 140	-	4.6 M	60	1,75



## ASPEN SALINA

Easy and quick installation

Easy access and pipe management

Ordering Reference	Pump rating	Water flow rate L/H	Size (millimeter)	Discharge head max	Sound level dB(A)	Weight (Kgs)
157AS00005	MONO 230/240	14	51 X 107 X 39	8 M	23	0,67
157AS000207	MONO 230/240	14	79 X 93 X 44	8 M	23	1,7
157AS00031	MONO 230/240	14	79 X 93 X 44	8 M	23	1,7
157AS00054	MONO 230/240	14	79 X 93 X 44	8 M	23	0,6
157AS00157	MONO 230/240	26	66 X 122 X 44	20 M	35	0,9
157AS00177	MONO 230/240	22,5	115 X 99 X 44	15 M	35	1,8
157AS00207	MONO 230/240	12	115 X 182 X 55	10 M	21	0,7



## CARRIER

Oil pumps assembled in 30GX and 30HX units

Ordering Reference	Connection size (inch)	Total high (mm)	Lenght (mm)	Application
--KK--82TA-002--C	3/8 NPT	184	295	R134A
30GX-430---772--EE	1/8 NPT		97,5 / 113,5	R134A
30GX-430---782--EE	1/8 NPT		97,5 / 113,5	R134A
30HX-410---332--EE	SERTO M24X1,5		116,5	R134A

## OIL LINE AND PARTS / OIL FILTERS



## CARRIER

Oil filters assembled in 30GX/30HX and 30XA units

Ordering Reference	Connection size (inch)	Lenght (mm)	Maximum working pressure (bar)	Application	Working pressure (bar)
30GX-660---004--S	3/4 (16) FEMALE	170	37,5	R22 - R134A (30GX/HX)	
30GX-417---132--EE	1-1/4	256		R134A (30GX/HX)	30
00PPG000012800A	1 SAE (14)	316		R22-R134A-R407C-R410A (30XA)	32



## CARRIER

Oil level switch assembled in 30GX/30HX and 30XA units

Oil line and parts

Ordering Reference	Description	Connection size (inch)	Application
--HR--12BA-012--EE	OIL LEVEL SWITCH TO SCREW ON OIL SEPARATOR	1/2 NPT	30GX/HX
--HR--12BA-011--EE	FLOAT OIL LEVEL SWITCH INSTALLED OUTSIDE OIL SEPARATOR		30GX/HX
00PPG000011400A	OIL LEVEL SWITCH TO SCREW ON OIL SEPARATOR	5/16	30XA

# OIL LINE AND PARTS / OIL LINE



## CARRIER

Complete oil line

Ordering Reference	Description
30HR-404---113EE1	OIL LINE EGALISTOR FOR 2 COMPRESSORS 06E
30HR-404---203--EE1	OIL LINE EGALISTOR FOR 3 COMPRESSORS 06E

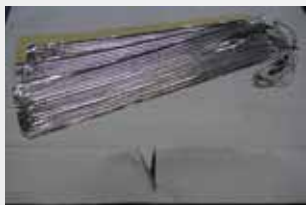
For other codes, please consult us

## CARRIER

Heating cables

Ordering Reference	Lenght (m)	Capacity (Watt)	Voltage (V)
--WM--12GA-001--EE	18	420	230
--WM--12GC-001--EE	5,5	220	230
--WM--12GF-002--EE	13	150	230
--WM--12GD-001--EE	7	280	230
--HT--38AZ-120--S	9,2	210	120
30GX-525---832EE-A	17,5	700	400
30GX-525---842--EE	25	1000	400
30GX-584---132--EE	10,4	83	460
30GX-584---142--EE	12,4	100	460





## CARRIER

Auto-adhesive heating plate

Ordering reference	Length (m)	Capacity (Watt)	Voltage (V)
30GX-428---332EE-A	660	4 X 250	400
--WM--12GB-003--EE	2 X 9	210	230
00PSG000511900A	0,66	6 X 250	400
00PSG000057400	0,790 + 0,790	400	400
00PSG000057500	0,5	650	400
30GK-401---392--EE	5,5	220	400
30GK-401---402--EE	7	280	400
30GX-428---322EE-A	0,66	2X250	400
30GX-428---342EE-A	0,66	8X250	400
30GX-430---752EE-A	0,22	2X70	400
30GX-430---762EE-A	0,26	2X100	400
30GX-430---822--EE	0,66	2X250	460
30GX-430---832--EE	0,66	4X250	460
30GX-430---842--EE	0,66	8X250	460
30RA-501---122EE-A	0,375	85	400
30RA-504---442--EE	0,45	200	400
30RA-506---672--EE	0,5	12,5	24
30RA-506---682--EE	1	25	24
30RA-506---692--EE	1,5	37,5	24
30RA-509---302--EE	1,3	33	400
30RH-500---912--EE	1,875	100	400
30RH-501---252--EE	2,18	120	400
30RH-501---262--EE	2,180 + 0,370	370	400
30RY-500---672--EF	1,48	80	400

Note : When changing heating plate, we recommend to replace the heating contactor



## KMP

Moisture liquid indicators to sold on tube

Hexagonal sight glass shipped with plastic protection cap

Ordering Reference	Connection size (inch)	Total high (mm)	Maximum working pressure (bar)	Application
--XS--12AD-001--EE	5/8	22	35	R22-R134A-R407C
--XS--12AD-002--EE	7/8	22	35	R22-R134A-R407C
--XS--12AD-003--EE	1-1/8	22	35	R22-R134A-R407C
--XS--12AD-004--EE	1-5/8	22	35	R22-R134A-R407C
--XS--12AD-005--EE	1-3/8	22	35	R22-R134A-R407C

## FILTERS DRIERS AND SHELLS / COPPER TUBE MOISTURE INDICATORS



## KMP

Copper tube moisture indicators

Copper tube with sight glass shipped with plastic protection cap

Ordering Reference	Type	Connection size (inch)	Lenght (mm)	Application
--XS--12CA-002--EE	KSG7S	7/8	171	R22-R134A-R407C
--XS--12CA-003--EE	KSG9S	1-1/8	171	R22-R134A-R407C
--XS--12CA-001--EE	KSG5S	5/8	161	R22-R134A-R407C



## ALCO

Brass connection moisture indicators

Brass connection sight glass shipped with plastic protection cap  
**CAUTION !** Remove sight glass head before brazing

Ordering Reference	Connection size (inch)	Maximum working pressure (bar)	Application
--XS--12AB-001--EE AM11SS3	1/4 3/8	35	R22
--XS--12AB-003--EE AM11SS5	1/2 5/8	35	R22
--XS--12AB-005--EE	7/8	35	R22
--XS--12AB-006--EE	1-1/8	35	R22



## CARLY

Filters driers shells for cartridges

Ordering Reference	Connection size (inch)	Length (mm)	Cartridge quantity	Application
--XW--12DA-024--EE	2-5/8	709	4	R22-R134A-R407C-R410A
--XW--12DA-028--EE	2-5/8	424	2	R22-R134A-R407C-R410A
--XW--12MA-002--EE	1-1/8	525	3	R22-R134A-R407C-R410A
--XW--12MA-006--EE	2-1/8	900	4	R22-R134A-R407C-R410A



## KMP / DANFOSS

Filters driers shells for cartridges

Filters driers and shells

Ordering Reference	Connection size (inch)	Lenght (mm)	Cartridge quantity	Application
--XW--12GB-002--EE	7/8	244	1	R22 - R134A
--KH--28ED-161--EE	7/8	267,72	1	R22-R134A-R407C-R410A
--XW--12GB-008--EE	1-1/8	385	2	R22 - R134A
--XW--12GB-010--EE	1-5/8	387	2	R22 - R134A
--KH--28ED-200--S	1-1/8	270,76	1	R22-R134A-R407C-R410A
--KH--28ED-202--EE	1-1/8	267	1	R22-R134A-R407C-R410A
--KH--28ED-240--EE	1-3/8	270	1	R22-R134A-R407C-R410A
--KH--28ED-242--C	1-3/8	409	2	R22-R134A-R407C-R410A
--KH--28ED-280--S	1-5/8	410	2	R22-R134A-R407C-R410A
00PPG000452501A	2/1-8	395,5	2	R22-R134A-R407C-R410A
00PPG000452502A	2-5/8	393,5	2	R22-R134A-R407C-R410A



## PARKER

Filters driers shells for cartridges

Ordering Reference	Connection size (inch)	Lenght (mm)	Cartridge quantity	Application
--XW--12GB-003--EE	1-1/8	246	1	R22-R134A-R407C
--XW--12GB-006--EE	2-1/8	256	1	R22-R134A-R407C
--XW--12GB-016--EE	1-3/8	675	4	R22-R134A-R407C
--XW--12GG-002--EE	1-3/8	246	1	R22-R134A-R407C
--XW--12GG-003--EE	1-5/8	248	1	R22-R134A-R407C
--XW--12GG-004--EE	2-1/8	400	2	R22-R134A-R407C

For other codes, please consult us



## EMERSON

Filters driers shells for cartridges

Ordering Reference	Connection size (inch)	Cartridge quantity	Application
---P-505--819213S	1-5/8	4	R22-R134A-R407C-R410A
---P-505--8485--S	5/8	1	R22-R134A-R407C-R410A
---P-505--8489--S	1-1/8	1	R22-R134A-R407C-R410A
---P-505--8967--S	7/8	2	R22-R134A-R407C-R410A
---P-505--8969--S	1-1/8	2	R22-R134A-R407C-R410A
--KH--49EA-040--C	1-1/8	3	R22-R134A-R407C-R410A
--KH--49EA-200--C	1-3/8	4	R22-R134A-R407C-R410A



## KMP / DANFOSS

Suction filters shells

Shell shipped with internal cartridge support  
and mechanical filtration  
Steel sold connections

Ordering Reference	Connection size (inch)	Lenght (millimeter)	Cartridge quantity	Application
--XW--12GG-002--EE	1-3/8	246	1	R22 - R134A - R407C
--XW--12GG-003--EE	1-5/8	248	1	R22 - R134A - R407C
--XW--12GG-004--EE	2-1/8	400	2	R22 - R134A - R407C





## EMERSON Filters driers

Ordering Reference	Connection size (inch)	Lenght (mm)	Weight (Kg)	Application
AM013536	1/2 ODF	157	0,91	R22-R134A-R407C-R410A
AM013540	5/8 ODF	162	0,91	R22-R134A-R407C-R410A
---P-502--8032--S	1/4 SAE	111	0,23	R22-R134A-R407C-R410A
---P-502--8082S-S	1/4 ODF	112	0,45	R22-R134A-R407C-R410A
---P-502--8083S-S	3/8 ODF	137	0,57	R22-R134A-R407C-R410A
---P-502--8084S-S	1/2 ODF	137	0,57	R22-R134A-R407C-R410A
---P-502--8165--S	5/8 SAE	192	0,8	R22-R134A-R407C-R410A
---P-502--8165S-S	5/8 ODF	167	0,8	R22-R134A-R407C-R410A
---P-502--8305S-S	5/8 ODF	235	1,59	R22-R134A-R407C-R410A
---P-502--8305--S	5/8 SAE	262	1,59	R22-R134A-R407C-R410A
---P-504--8164--S	1/2 SAE	177	0,91	R22-R134A-R407C-R410A
---P-504--8083--S	3/8 SAE	151	0,45	R22-R134A-R407C-R410A
---P-504--8084S-S	1/2 ODF	137	0,45	R22-R134A-R407C-R410A
---P-502--8417S-S	7/8 ODF	254	1,59	R22-R134A-R407C-R410A



**DANFOSS**  
Filters driers

Filters driers and shells

Ordering Reference	Connection size (inch)	Lenght (mm)	Weight (Kg)	Application	Maximum working pressure (bar)
00PPG000462101A	5/8	160	0,668	R22-R134A-R407C-R410A	46
00PPG000462102A	7/8	246	1,31	R22-R134A-R407C-R410A	46
00PPG000462103A	7/8	247	1,826	R22-R134A-R407C-R410A	46
00PPG000466201A	1/2	154	0,906	R22-R134A-R407C-R410A	46
00PPG000466202A	5/8	162	0,916	R22-R134A-R407C-R410A	46
00PPG000466203A	7/8	248	1,31	R22-R134A-R407C-R410A	46
023Z0031	1/2	NC	1,391	R22-R134A-R407C-R410A	46
023Z4589	3/4	NC	1,3	R22-R134A-R407C-R410A	46
00PPG000462001A	5/8	146	46	R410A	
00PPG000462002A	7/8	173	46	R410A	
00PPG000462003A	1/2	146	35	R22-R134A-R407C-R410A	
00PPG000462004A	5/8	146	35	R22-R134A-R407C-R410A	
00PPG000462005A	7/8	173	35	R22-R134A-R407C-R410A	

FILTERS DRIERS AND SHELLS / COMPLETE FILTERS DRIERS



**KMP**  
Filters driers shell

Steel sold connections  
Maximum working pressure = 35 bars  
Working temperature - 45°C to + 75°C

Ordering Reference	Connection size (inch)	Lenght (mm)	Weight (Kg)	Application
--XW--12EA-020--EE	5/8	238,4	1.3	R22-R134A-R407C-R410A
--XW--12EA-022--EE	7/8	259.3	1.52	R22-R134A-R407C-R410A

For other codes, please consult us

## ALCO / DANFOSS / CARLY

Permanent or temporary application cartridges



42 type : volume 688 cm<sup>3</sup>  
 48 type : volume 787 cm<sup>3</sup>  
 100 type : volume 1639 cm<sup>3</sup>

Ordering Reference	Type	Description	Total external diameter (mm)	Length (mm)	Application
--XW--12EA-008--EE	CCY 42 HP	PERMANENT	80,5	148	R22 - R134A
--KH--29MD-048--EE	023U1396		95	138	SR134A - R407C- R410A
--XW--12EA-010--EE	CCY42N	TEMPORARY BURN OUT	80,5	148	R22 - R134A
--XW--12EA-009--EE	CCY48HP	PERMANENT	94	139,5	R22 - R134A
--XW--12EA-011--EE	CCY48N	TEMPORARY BURN OUT	94	139,5	R22 - R134A
---P5068-H--48--S	H48		95	140	R22
--XW--12EA-001--EE	W48	TEMPORARY	95		R22-R134A-R407C-R410A
---P5068-S-100--S	S100		121	165	R22
--XW--12EA-002--EE	W100	TEMPORARY	121		R22-R134A-R407C-R410A
--XW--12EA-003--EE	48DN	PERMANENT	93,5	138	R22-R134A-R407C
--KH--29MD-060--S			95	137	R134A

## FILTERS DRIERS AND SHELLS / PERMANENT APPLICATION CARTRIDGES

## ALCO / DANFOSS / CARLY

Permanent application cartridges



42 type : volume 688 cm<sup>3</sup>  
 48 type : volume 787 cm<sup>3</sup>  
 100 type : volume 1639 cm<sup>3</sup>

Ordering Reference	Type	Description	Total external diameter (mm)
--XW--12EA-004--EE	CCY42F	TEMPORARY	80
--XW--12EA-005--EE	CCY48F	TEMPORARY	95
---P5068-F--48--S	F48	TEMPORARY	95



## CARLY

Inox cartridges

Permanent application cartridges

42 type: volume 688cm<sup>3</sup>

48 type: volume 787cm<sup>3</sup>

100 type: volume 1 639cm<sup>3</sup>

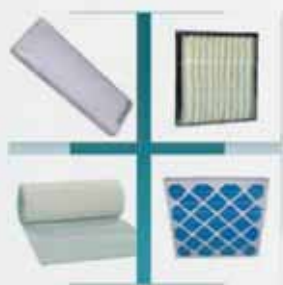
Ordering Reference	Type	Description	Total external diameter (mm)	Lenght (mm)	Application
--XW--12EA-006--EE	CCY421	PERMANENT	80	155	R22-R407C-R134A-R410A
--XW--12EA-007--EE	CCY481	PERMANENT	95	140	R22-R407C-R134A-R410A



## DELCHI

Air filters assembled in Delchi split system

Ordering Reference	Size (mm)
10318121202R	327 X 327
10321111001R	387 X 357
0150711X61	423 X 207 X 12
0150711X62	643 X 207 X 12
0150711X63	863 X 205 X 12
0150711X64	1083 X 207 X 12
0150711X85	1025 X 280 X 12
0150711X86	1220 X 330 X 12
42KG5A3013	285 X 240
42KP5A3013	313 X 278
B033262H01	745 X 255
B033263X01	1050 X 280
C020438H03	372 X 170 X 3
C023554G01	592 X 612
C024160H01	610 X 210
C024161H01	788 X 280
D017812X01	980 X 220
D019205H01	288 X 243 (262)
D019232H01	288 X 262 (298)
D020894G01	390 X 188
E000299H01	407 X 431
51300911500	265 X 455
T300912600	328 X 255
T300912620	328 X 255
T302916500	571 X 215
C024162H01	1100 X 300

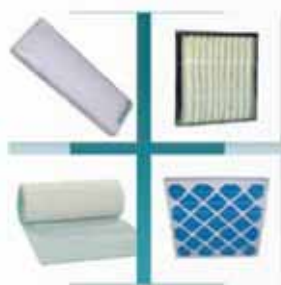


## CAMFIL

Prefiltration filters

Efficacy G3

Ordering Reference	Size (mm)	Efficacy
35BD530542M	FRAME	
41MC500222M	360X427	G3
42BJ510022M	240X550X48	G3
42BJ510562M003	240X400	G3
42CE500302M-	490X180	G3
42CE500312M-	570X180	G3
42EL500082M	218X984	G3
42EM500312M	578X208	G3
42EM500322M	978X208	G3
42EM503522M-	230X408	G3
--KH--12AD-005--M	594X594X25	G3
--KH--12AD-006--M	594X287X25	G3
--KH--12AD-008--M	720X585X20	G3
--KH--12AD-017--M	490X770X20	G3
--KH--12AD-019--M	892X287X25	G3
--KH--12AE-003--M	890X630X50	G3
--KH--12AE-004--M	890X940X50	G3
--XF--12DA-005--E-	594X594X50	G3
--KH--12AE-006--M	594X287X50	G3
--KH--12AE-018--M	892X592X50	G3
--KH--12AE-019--M	892X287X50	G3
--KH--12AZ-027--M	620X935X25	G3
--KH--12AZ-101--M	480X490X25	G3
--KH--12AZ-107--M	715X680X25	G3

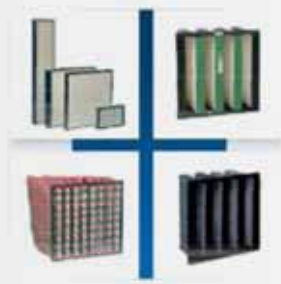


## CAMFIL

Prefiltration filters  
Efficacy G4

Ordering Reference	Size (mm)	Efficacy
--KH--12AA-005--M	594X594X50	G4
--KH--12AA-006--M	594X287X50	G4
--KH--12AC-001--M	594X594X25	G4
--KH--12AC-002--M	594X287X25	G4
--KH--12AC-003--M	892X592X25	G4
--KH--12AC-008--M	890X940X25	G4
--KH--12AC-021--M	490X538X23	G4
--KH--12AC-023--M	720X592X23	G4
--KH--12AF-001--M	575X630X75	G4
--KH--12AF-002--M	575X940X75	G4
--KH--12AF-003--M	890X630X75	G4
--KH--12AF-004--M	890X940X75	G4
--KH--12AR-001--M	575X630X75	G4
--KH--12AS-007--M	485X550X50	G4
--KH--12AZ-102--M	480X680X25	G4
--KH--12BA-003--M	490X770X50	G4
--KH--12BA-004--M	720X770X50	G4
--KH--12BA-005--M	720X590X50	G4
14742300	289X289X50	G4
14742400	289X594X50	G4
14743800	594X594X50	G4
42BJ510002M	FRAME	G4
42BJ510012M	240X400X48	G4
42GR501622M	230X350X150	G4
--KH--12AA-003--M	890X630X50	G4





## CAMFIL

Comfort filtration

Air treatment.

Efficacy F3 - F5 - F6 - F7 - F8 - F9

Ordering Reference	Size (mm)	Efficacy
41EA-500---552--EE	780X610X100	F3
41EC-500---372--EE	780X585X110	F3
000000000014720017	437X287X48	F5
41PS-501---062--EE	780X690X100	F5
41TB-500---442--EE	945X560X50	F5
42BJ510032M	240X550X48	F5
42BJ510562M	470X240X54	F5
42BJ513392MG	550X316X48	F5
--KH--12AR-002--M	575X940X75	F5
--KH--12AS-005--M	594X594X50	F5
--KH--12AS-006--M	594X287X50	F5
--KH--12AS-008--M	715X595X50	F5
--KH--12AS-010--M	485X780X50	F5
--KH--12AS-012--M	892X287X50	F5
MTA540023M	225X352X48	F5
MTA540752M	395X352X48	F5
42EM502072M	585X212X50	F6
42EM502082M	985X212X50	F6
--KH--12AJ-001--M	592X592X534	F6
--KH--12AJ-002--M	287X592X534	F6
--KH--12AJ-005--M	892X592X534	F6
--KH--12AJ-006--M	892X287X534	F6
--KH--12AJ-012--M	720X572X534	F6
--KH--12AJ-013--M	720X768X534	F6
--KH--12AJ-101--M	592X592X547	F6
--KH--12B0-001--M	592X592X25	F6
000000000013875201	592X592X500	F7
000000000013879904	437X287X520	F7
000000000200004651	287X592X534	F7
000000000200004652	287X287X534	F7
000000000200013378	592X592X290	F7
13879904-437592520	437X592X520	F7
13879904-592287520	592X287X520	F7

For other codes, please consult us



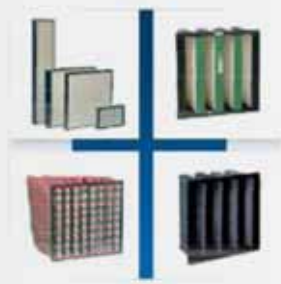
## CAMFIL

Comfort filtration

Air treatment

Efficacy F3 - F5 - F6 - F7 - F8 - F9

Ordering Reference	Size (mm)	Efficacy
--KH--12AB-001--M	592X592X534	F7
--KH--12AB-002--M	592X287X534	F7
--KH--12AB-003--M	592X592X635	F7
--KH--12AB-005--M	892X592X534	F7
--KH--12AB-006--M	892X287X534	F7
--KH--12AB-007--M	592X592X292	F7
--KH--12AB-008--M	289X592X292	F7
--KH--12AB-110--M	490X538X534	F7
--KH--12AB-112--M	720X592X534	F7
--KH--12AB-113--M	720X768X534	F7
--KH--12BO-101--M	592X592X25	F7
--KH--12BO-102--M	287X592X25	F7
000000000200004585	592X592X290	F8
000000000200013379	592X292X290	F8
B036874H01	485X715X50	F8
--KH--12AI-001--M	592X592X534	F8
--KH--12AI-006--M	592X287X292	F8
39FZ-466---292--EE	595 X 592 X 290	F9
39FZ-466---302--EE	595 X 287 X 290	F9
B036874H02	350X1460/3X50	F9
--KH--12AI-002--M	287X592X534	F9
--KH--12AI-007--M	892X592X534	F9



## CAMFIL

High efficacy filters

Clean process

High efficacy, H10 - H11 - H12 - H13 - H14 - U15 - U16 - U17

Ordering Reference	Size (mm)	Efficacy
39FZ-462---992--EE	595 X 595 X 290	CARBON
39FZ-463---002--EE	592 X 290 X 290	CARBON
39FZ-588---732--EE	610 X 610 X 292	H13
39FZ-588---742--EE	305 X 610 X 292	H13
--KH--12AM-007--M	FRAME	
--KH--12AP-006--M	295 X 600 X 292	
--KH--12BI-001--M	595X595X292	H13
--KH--12BI-002--M	289X595X292	H13
--KH--12BI-003--M	595X595X292	H10
--KH--12BP-102--M	FRAME	CARBON



## LOMBARDA

Air filters

Efficacy G2-G3

Ordering Reference	Size (mm)	Efficacy
0150711X82	413X203X12	G2
0150711X83	483X257X12	G2
0150711X84	633X352X12	G2
0150722X03	422X215X12	G2
0150722X04	642X215X12	G2
0150722X05	862X215X12	G2
0150722X06	1082X215X12	G2
0150722X16	568X496X20	G3
0150722X19	580X250X20	G3
0150722X20	725X250X20	G3
0150722X21	1015X250X20	G3



# KALTHOFF

Air filters

Efficacy G4-F7

Air Filters

Ordering Reference	Size (mm)	Efficacy
00000000020002532	292X292X48	G4
00000000020002534	596X596X48	G4
000000000200032976	592X287X360	F7
000000000200032977	287X592X360	F7
000000000200032978	592X592X360	F7
000000000200032979	287X287X360	F7
000000000200046888	566X352X92	F7
000000000200046889	866X432X92	F7
000000000200046890	592X592X92	F7
000000000200046891	752X502X92	F7
000000000200046892	866X432X500	F7
000000000200046893	592X592X500	F7
000000000200046894	502X752X500	F7
000000000200046895	592X892X500	F7

For other codes, please consult us



## CARRIER

Mini high pressure switch

Ordering Reference	Type	Connection size (inch)	Opening point (bar)	Setting point (bar)	Application	Differential (bar)	Voltage (Volt)	Reset
--HK--02ZA-395--C	PS80-03-0018	1/4 SAE-FEMALE	27.2	20.3	R22			
--WB--12BG-022--EE	PSC-B6S	7/16 -20UNF FEMALE	21,8		R22-R134A-R407C	5,8 +/-1.8	230	EXTERNAL MANUAL
--WB--12BH-023--EE	PSC-S6S	7/16 -20UNF FEMALE	22.8		R22-R134A-R407C	5,8 +/-1.8	230	INTERNAL MANUAL
00PPG000008201A	ACB-1UB27W	7/16 -20UNF FEMALE	44.2	34	R410A			AUTOMATIC
00PPG000022600A		7/16 - 20UNF	21	15	R134A		250	
--HK--02ZA-439--S	PS80-01-0008	1/4 SAE FEMALE	29,3	22	R22			
--HK--02ZA-442--S	PS80-01-0015	1/4 SAE FEMALE	29,8	22,4	R22			
--WB--12BG-016--EE	PSC-B6S	7/16 - 20UNF	16		R22-R134A-R407C	5 +/-1.5	230	EXTERNAL MANUAL
--WB--12BG-027--EE	PSC-B6S	7/16 - 20UNF	27		R22-R134A-R407C	6,2 +/-1.9	230	EXTERNAL MANUAL
--WB--12BG-029--EE	PSC-B6S	7/16 - 20UNF	29		R22-R134A-R407C	6,6 +/-2	230	EXTERNAL MANUAL
--WB--12BH-017--EE	PSC-S6S	7/16 - 20UNF	17		R22-R134A-R407C	5 +/-1.5	230	INTERNAL MANUAL
--WB--12BH-028--EE	PSC-S6S	7/16 - 20UNF	28		R22-R134A-R407C	6,2 +/-1.9	230	INTERNAL MANUAL
00PPG000008202A	ACB-1UB540W	7/16 - 20UNF	41,7	33	R410A			AUTOMATIC
--WB--12BH030--EE	PSC-B6S	7/16 - 20UNF	30		R22-R134A-R407C	6,8 +/-2	230	EXTERNAL MANUAL
--WB--12BH-030--EE	PSC-S6S	7/16 - 20UNF	30		R22-R134A-R407C	6,6 +/-2	230	INTERNAL MANUAL

## PRESSURE SWITCH / MINI LOW PRESSURE SWITCH



## CARRIER

Mini low pressure switch

Ordering Reference	Type	Connection size (inch)	Electrical cable length (millimeter)	Opening point (bar)	Setting point (bar)	Automatic reset	Application	Voltage (Volt)
--HK--02ZB-027--C	PS80-02-F0072	1/4 SAE-FEMALE	750	1,9	4,6	X	R22	24 / 125 /230
--HK--02ZB-028--C	PS80-02-F0073	1/4 SAE FEMALE	1200	1,8	4,6	X	R22	24 / 125 /230
--HK--02ZB-038--S	PS80-02-F0074	1/4 SAE FEMALE	1200	0,5	1,5	X	R22	24 / 125 /230
--WA--12MN-006--EE	PS3W1S	7/16 - 20UNF		2,41		X	R22-R134A-R407C	230
--WA--12MN-009--EE	PS3-AF1	7/16 - 20UNF		3		X	R22-R134A-R407C	230

For other codes, please consult us

[www.carrier-ercd.com](http://www.carrier-ercd.com)



## CARRIER

High pressure switch

Application R22

Pressure Switch

Ordering Reference	Type	Connection size (inch)	Capillary length (meter)	Setting point (bar)	Setting range calibration (bar)	Opening point (bar)	Automatic reset	Voltage (Volt)
--WA--12PJ-004--EE	P20GA9651U	1/4 SAE FEMALE	1,2	7 - 29	7 - 29	19	X	230
--WA--12PH-002--EE	P20EA9681T	1/4 SAE FEMALE	1,2	13,9	7 - 29		X	230
--WA--12PJ-009--EE	P20GA9651U	1/4 SAE FEMALE	1,2	7 - 29	7 - 29	28	X	230
--WA--12PH-001--EE	P20EA9681T	1/4 SAE FEMALE	1,2	16,9	7 - 29	24	X	230
--WA--12PH-003--EE	P20EA9681S	1/4 SAE FEMALE		15,9		23		230
--WA--12PH-004--EE	P20EA9681T	1/4 SAE FEMALE	1,2	17,9	7 - 29	25	X	230
--WA--12PH-005--EE	P20EA9681T	1/4 SAE FEMALE	1,2	19,9	7 - 29	27	X	230
--WA--12PJ-001--EE	P20GA9651U	1/4 SAE FEMALE	1,2	7 - 29	7 - 29	26	X	230
--WA--12PJ-005--EE	P20GA9651U	1/4 SAE FEMALE	1,2	7 - 29	7 - 29	21	X	230
--WA--12PJ-008--EE	P20GA9651U	1/4 SAE FEMALE	1,2	7 - 29	7 - 29	24	X	230
--WA--12PJ-010--EE	P20GA9651U	1/4 SAE FEMALE	1,2	7 - 29	7 - 29	29	X	230

## PRESSURE SWITCH / HIGH PRESSURE SWITCH



## JOHNSON

High pressure switch

Ordering Reference	Connection size (inch)	Opening point (bar)	Application	Setting range calibration (inch)
0352207X15	NC	18	NC	14-24
--VA--12AA-002--EE	7/16-2 OUNF	11	R22 - R134A	3-30
--VA--12AA-003--EE	R 3/8 MÂLE	NC	NC	0.2 - 4
--VA--12BF-005--EE	7/16 MALE - 2OUNF	22	R22 - R134A	3-30
--VA--12BF-006--EE	7/16 MALE - 2OUNF	20	R22 - R134A	3-30
--VA--12BF-008--EE	7/16 MALE - 2OUNF	13,8	R22 - R134A	3-30
--WA--12BB-002--EE	1/4 SAE	17	R22	NC
--WA--12BB-003--EE	1/4 SAE	19	R22	NC
--WA--12KN-011--EE	NC	21,8	NC	10-31

For other codes, please consult us





## JOHNSON CONTROL

Double high pressure switch

Ordering Reference	Setting point (bar)	Setting range calibration (bar)	Opening point (bar)	Application
--VA--12BF-001--EE	3 - 30	3 - 30	DBK 19 - SDBK 20,5	R22 - R134A
--VA--12BF-004--EE	3 - 30	3 - 30	DBK 29 - SDBK 30,5	R22 - R134A
--VA--12BF-007--EE	3 - 30	3 - 30	DBK 27 - SDBK 28,5	R22 - R134A

## PRESSURE SWITCH / LOW PRESSURE SWITCH



## CARRIER

Low pressure switch

Application R22

Ordering Reference	Type	Connection size (inch)	Capillary length (meter)	Setting point (bar)	Setting range calibration (bar)	Opening point (bar)	Automatic reset	Voltage (Volt)
--WA--12LN-002--EE	P20EA9530FC	1/4 SAE FEMALE	1,22	2,4	0,48 - 10,34	1,5	X	230
--WA--12LN-005--EE	P20EA9530FC	1/4 SAE FEMALE	0,9	2,9	0,48 - 10,34	2	X	230
--WA--12LN-006--EE	P20EA9530FC	1/4 SAE FEMALE	1,22	3,9	0,48 - 10,34	3	X	230
--WB--12LN-003--EE	P20FA9510FC	1/4 SAE FEMALE	0,9	0,5 - 10	0,5 - 10	3	X	230
--WB--12LN-001--EE	P20FA9510FC	1/4 SAE FEMALE	0,9	0,5 - 10	0,5 - 10	0,5	X	230
--WB--12BB-003--EE	P20EA9530FC	1/4 SAE FEMALE	0,9	5,1	0,5 - 10	3	X	230
--WB--12BB-004--EE	P20EA9621D	1/4 SAE FEMALE	1,2	4	0,5 - 10	2,5	X	230
--WB--12BB-005--EE	P20EA9530FC	1/4 SAE FEMALE	0,9	4,6	0,5 - 10	2,5	X	230
--WB--12BB-007--EE	P20EA9530FC	1/4 SAE FEMALE	0,9	3,1	0,5 - 10	1	X	230
--WA--12LN-011--EE	P20EA9530FC	1/4 SAE FEMALE	0,9	3,6	0,5 - 10	0,5	X	230

For other codes, please consult us

[www.carrier-ercd.com](http://www.carrier-ercd.com)



**DANFOSS**  
Pressure switch

Pressure Switch

Ordering Reference	Differential (bar)	Maximum working pressure (bar)	Application
0602008-	1/4 IN FLARE	0,70 - 4,00	17-35
0602051-	1/4 IN FLARE NUT	0,70 - 4,00	17
0602054-	1/4 IN FLARE NUT	4	35
0602058-	1/4 IN FLARE NUT	0,70 - 4,00	17-35
0602059-	1/4 IN FLARE NUT	0,70 - 4,00	17-35

For other codes, please consult us



**DANFOSS**  
Oil pressure switch

Ordering Reference	Différential (bar)	Maximum working pressure (bar)	Application
060B2007	0,30 - 4,50	17	R22-R134A-R407C-R410A
060B2058	0,41 (FIXED)	17	R22-R134A-R407C-R410A

PRESSURE SWITCH / OIL DIFFERENTIAL PRESSURE SWITCH

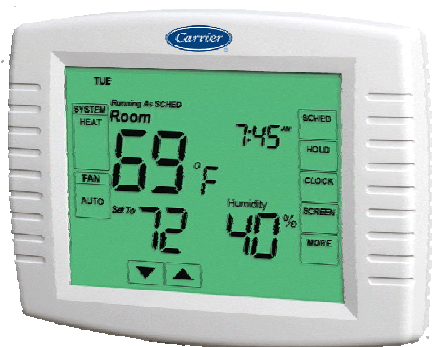


**CARRIER**  
Oil differential pressure switch

Ordering Reference	Type	Reverse contact function	Capillary lenght (meter)	Breaking capacity at 400V	Power cut differential pressure (bar)	Interlocking differential pressure (bar)
--HK--06UC-006--S	PD11-1011	X	2,133	750 VA	0,27 - 0,41	0,62 - 0,82
30GT-660---018--S						
--HK--06UC-007--C	PD11-1034	X	0,609	750VA	0,27 - 0,41	0,62 - 0,82



# Thermostats



**Carrier** has met temperature control needs worldwide with its thermostats. Carrier thermostats provide computer-like intelligence with extremely simple operation in an elegant package. Designed to maximize performance, Carrier thermostats offer reliability with accurate temperature control while blending in with the surrounding decor. Controlling heating and cooling systems at the touch of a button, these powerful devices help deliver comfort year round.

The line-up comes in a complete range of choices on control type, heat/cool options, programmability, fan speed and accessories, providing optimum performance and reliability, application flexibility and ease of use.

*... comfort at your command*

- ✓ Proprietary design for Carrier
- ✓ Large, easy-to-read display
- ✓ Fahrenheit or Centigrade display
- ✓ Illuminating backlight
- ✓ Cool, heat and automatic heat/cool options
- ✓ Easy changeover
- ✓ Keypad lock
- ✓ Service filter
- ✓ Room temperature calibration









## ELIWELL

Electronic thermostats

Sold with sensors, fixings and technical brochures

Ordering Reference	Temperature range (°C)	Accuracy (°C)	Power supply (Vac)	Size (mm)	Maximum load (A)	Maximum consumption (VA)	Sensor	Shell
ID961-16A230VNTC3M	-55 / +99	0,5 / +1	230	32X74	16	3	NTC SIL	PLASTIC
ID961-8A230VNTC15M	-55 / +99	0,5 / +1	230	32X74	8	3	NTC SIL	PLASTIC
ID961-8A230VNTC3M	-55 / +99	0,5 / +1	230	32X74	8	3	NTC SIL	PLASTIC



## HONEYWELL

Electronic thermostats

Ordering Reference	Temperature range (°C)	Accuracy (°C)	Power supply (Vac)	Size (mm)	Maximum load (A)	Maximum consumption (VA)	Sensor	Shell
OP12CA021EE	10 TO 30	+/- 0,5	230	83X130X40	4(2)	NC	DOUBLE DIAPHRAGM	IP30
OP12CA023EE	10 TO 30	+/- 0,5	230	83X130X40	4(2)	NC	DOUBLE DIAPHRAGM	IP30
--OP--12CA-030--EE	10 TO 30	+/- 0,5	230	83X130X40	4(2)	NC	DOUBLE DIAPHRAGM	IP30
---T6375-C1029---E	10 TO 30	+/- 0,5	230	83X130X40	4(2)	NC	DOUBLE DIAPHRAGM	IP30





## DANFOSS

Thermostats

Ordering Reference	Description	Type	Capillary lenght (m)	Setting point (°C)	Manual differential (°C)	Specifications
--WG--12RA-005--EE	DEFROST THERMOSTAT	KP73	5	-30 / 10	3,5	AMBIANT WORKING TEMPERATURE RANGE: -40/+65°C. BULB MAXIMUM TEMPERATURE OF +80°C. IP30 PROTECTION. EXTERNAL MANUAL RESET.



## PENN

Thermostats

Ordering Reference	Description	Type	Capillary lenght (m)	Setting point (°C)
--HH--24CZ-020--S	2 STEP THERMOSTAT	A28GA9010	4,5	-7 / +27



## HONEYWELL

Thermostats

Ordering Reference	Description	Type	Capillary lenght (m)	Setting point (°C)	Bulbe diameter / lenght (mm)	Voltage	Specification
--HH--23AG-085--C	POTENTIOMETRIC THERMOSTAT	T915C1407	6	-10 / +30	12,7 X 101,6	24	STEP CONTROLER MONITOR

For other codes, please consult us

# MEAS

## Temperature sensors

Ordering Reference	Type	Size (ø x L)	Cable length (m)	Cable material	Exactitude (%)	Protection	Voltage (V)	Maximum pressure (bar)	Working range temperature (°C)
OP12CA036EE	NTC	6X28	2	PVC	±0.2°C SUR 0-70°C	IPX7	NC	NC	-40 / +105
00PPG000470301A	NTC	4.76X58	0,5	PVC	+/- 0.88% À 25°C +/-0.99% À 0°C +/-0.75% À 70°C	IPX7	5	21	-40 / +105
00PPG000470302A	NTC	4.76X58	3,5	PVC	+/- 0.88% À 25°C +/-0.99% À 0°C +/-0.75% À 70°C	IPX7	5	21	-40 / +105
00PPG000470303A	NTC	4.76X58	5,5	PVC	+/- 0.88% À 25°C +/-0.99% À 0°C +/-0.75% À 70°C	IPX7	5	21	-40 / +105
00PPG000470304A	NTC	4.76X58	7,5	PVC	+/- 0.88% À 25°C +/-0.99% À 0°C +/-0.75% À 70°C	IPX7	5	21	-40 / +105
00PPG000470305A	NTC	4.76X58	10	PVC	+/- 0.88% À 25°C +/-0.99% À 0°C +/-0.75% À 70°C	IPX7	5	21	-40 / +105
00PPG000470306A	NTC	4.76X58	15	PVC	+/- 0.88% À 25°C +/-0.99% À 0°C +/-0.75% À 70°C	IPX7	5	21	-40 / +105
00PPG000470307A	NTC	4.76X58	1	PVC	+/- 0.88% À 25°C +/-0.99% À 0°C +/-0.75% À 70°C	IPX7	5	21	-40 / +105
00PPG000470500A	NTC	4.76X76.2	4,1	PVC	+/- 0.68% À 25°C +/-0.88% À 0°C +/-0.99% À 70°C	IPX7	5	21	-40 / +105
00PPG000470600A	NTC	4.76X76.2 CÂBLE COURBÉ	0,33	PVC	+/-0.5°C DE -40 À 0°C +/-0.2°C DE 0 À 70°C +/-0.25°C DE 70 À 80°C +/-0.8°C DE 80°C À 100°C	IPX7	5	21	-40 / +115
00PPG000470700A	NTC	6.35X76.2	/	/	+/- 0.68% À 25°C +/-0.88% À 0°C +/-0.99% À 70°C	IPX7	5	21	-40 / +115
00PPG000470800A	NTC	6.35X25.4	/	/	+/- 0.68% À 25°C +/-0.88% À 0°C +/-0.99% À 70°C	IPX7	5	21	-40 / +115



## SIEMENS

### Contactors

NO: Normaly open

NF: Normaly closed

Below given values are issued from Siemens catalog, they are absolutely not the values witch are used to select components in CARRIER units

Ordering Reference	Auxiliary contact	Power in 400 Volts (Kw)	With box terminal	Coil voltage/frequency
3RT1024-1AB00	/	5,5	SCREW	24 VOLTS 50 HERTZ
3RT1024-3AB00	/	5,5	CAGE CLAMP	24 VOLTS 50 HERTZ
3RT1025-1AB00	/	7,5	SCREW	24 VOLTS 50 HERTZ
3RT1025-3AB00	/	7,5	CAGE CLAMP	24 VOLTS 50 HERTZ
3RT1026-1AB00	/	11	SCREW	24 VOLTS 50 HERTZ
3RT1026-3AB00	/	11	CAGE CLAMP	24 VOLTS 50 HERTZ
3RT1034-1AB04	2NO / 2 NF	15	SCREW	24 VOLTS 50 HERTZ
3RT1034-1AB00	/	15	SCREW	24 VOLTS 50 HERTZ
3RT1034-3AB00	/	15	CAGE CLAMP	24 VOLTS 50 HERTZ
3RT1035-1AB00	/	18,5	SCREW	24 VOLTS 50 HERTZ
3RT1035-3AB00	/	18,5	CAGE CLAMP	24 VOLTS 50 HERTZ
3RT1036-1AB00	/	22	SCREW	24 VOLTS 50 HERTZ
3RT1015-1AB02	1 NF	3	SCREW	24 VOLTS 50/60 HERTZ
3RT1015-2AB01	1 NO	3	CAGE CLAMP	24 VOLTS 50/60 HERTZ
3RT1015-2AB02	1 NF	3	CAGE CLAMP	24 VOLTS 50/60 HERTZ
3RT1015-1AB01	1 NO	3	SCREW	25 VOLTS 50/60 HERTZ
3RT1016-1AB01	1 NO	4	SCREW	24 VOLTS 50/60 HERTZ
3RT1017-1AB01	1 NO	5,5	SCREW	24 VOLTS 50/60 HERTZ
3RT1017-1AB02	1 NF	5,5	SCREW	24 VOLTS 50/60 HERTZ
3RT1017-2AB01	1 NO	5,5	CAGE CLAMP	24 VOLTS 50/60 HERTZ
3RT1024-1AF00	/	5,5	SCREW	110 VOLTS 50 HERTZ
3RT1026-1AF00	1 NO	11	SCREW	110 VOLTS 50 HERTZ
3RT1034-3AF00	/	15	CAGE CLAMP	110 VOLTS 50 HERTZ
3RT1035-1AG20	/	18,5	SCREW	110 VOLTS 50 HERTZ
3RT1035-3AF00	0	18,5	CAGE CLAMP	110 VOLTS 50 HERTZ
3RT1036-1BF40	0	22	SCREW	110 VOLTS 50 HERTZ
3RT1044-1AF00	0	30	SCREW	110 VOLTS 50 HERTZ
3RT1044-1AG20-Z	0	30	SCREW	110 VOLTS 50 HERTZ
3RT1044-3AF00	0	30	CAGE CLAMP	110 VOLTS 50 HERTZ
3RT1045-1AF00	0	37	CAGE CLAMP	110 VOLTS 50 HERTZ
3RT1045-3AF00	0	37	CAGE CLAMP	110 VOLTS 50 HERTZ



## SIEMENS

### Contactors

NO: Normaly open

NF: Normaly closed

Below given values are issued from Siemens catalog, they are absolutely not the values witch are used to select components in CARRIER units

Ordering Reference	Auxiliary contact	Power in 400 Volts (Kw)	With box terminal	Coil voltage/frequency
3RT1015-1AF01	1 NO	3	SCREW	110 VOLTS 50/60HERTZ
3RT1034-1AG20	/	15	SCREW	110 VOLTS 50/60HERTZ
3RT1054-1AF36	2NO / 2 NF	55	SCREW	110-127 VUC
3RT1054-3AF36	2NO / 2 NF	55	CAGE CLAMP	110-127 VUC
3RT1055-2AF36	/	75	SCREW	110-127 VUC
3RT1055-6AF36	2NO / 2 NF	75	SCREW	110-127 VUC
3RT1056-2AF36	/	90	SCREW	110-127 VUC
3RT1056-6AF36	2NO / 2 NF	90	SCREW	110-127 VUC
3RT1064-2AF36	2NO / 2 NF	110	SCREW	110-127 VUC
3RT1064-6AF36	2NO / 2 NF	110	SCREW	110-127 VUC



## SCHNEIDER

### Contactors

NO: Normaly openNF: Normaly closed

Below given values are issued from Schneider catalog, they are absolutely not the values witch are used to select components in CARRIER units

Ordering Reference	Auxiliary contact	Power in 400 Volts (Kw)	With box terminal	Coil voltage/frequency
LC1K0601B7	1NF	2,2	SCREW	24VCA
LC1K0610B7	1NO	2,2	SCREW	24VCA
LC1K09004B7	-	4	SCREW	24VCA
LC1K0901B7	1NF	4	SCREW	24VCA
LC1K0910B7	1NO	4	SCREW	24VCA
LC1D12B7	1NO / 1 NF	5,5	SCREW	24VCA
LC1D18B7	1NO / 1 NF	7,5	SCREW	24VCA
LC1D25B7	1NO / 1 NF	11	SCREW	24VCA
--CT--12SD-099--EE	1NO / 1 NF	4	SCREW	110V



## TELEMECANIQUE

### Contactors

NO: Normaly open

NF: Normaly closed

Ordering Reference	Type	Auxiliary contact	Power in 400 Volts (Kw)	Coil voltage/frequency
--CT--12DA-099--EE	LC1D09P7	1 NO / 1 NF	4	230 V 50 HZ
--CT--12DA-129--EE	LC1D12P7	1 NO / 1 NF	5,5	230 V 50 HZ
--CT--12DA-169--EE	LC1D18P7	1 NO / 1 NF	7,5	230 V 50 HZ
--CT--12DA-259--EE	LC1D25P7	1 NO / 1 NF	11	230 V 50 HZ
--CT--12DA-403--EE	LC1D40P7	1 NO / 1 NF	18,5	230 V 50 HZ
--CT--12DA-503--EE	LC1D50P7	1 NO / 1 NF	22	230 V 50 HZ
--CT--12DA-603--EE	LC1D65P7	1 NO / 1 NF	30	230 V 50 HZ
--CT--12DA-803--EE	LC1D80P7	1 NO / 1 NF	37	230 V 50 HZ
--CT--12SB-099--EE	LC1D09B7	1 NO / 1 NF	4	24 V / 50 HZ
--CT--12SB-129--EE	LC1D12B7	1 NO / 1 NF	5,5	24 V / 50 HZ
--CT--12SB-169--EE	LC1D18B7	1 NO / 1 NF	7,5	24 V / 50 HZ
--CT--12SB-259--EE	LC1D25B7	1 NO / 1 NF	11	24 V / 50 HZ
--CT--12SB-403--EE	LC1D40B7	1 NO / 1 NF	18,5	24 V / 50 HZ
--CT--12SB-503--EE	LC1D50B7	1 NO / 1 NF	22	24 V / 50 HZ
--CT--12SB-603--EE	LC1D65B7	1 NO / 1 NF	30	24 V / 50 HZ
--CT--12SB-803--EE	LC1D80B7	1 NO / 1 NF	37	24 V / 50 HZ



# ABB

## Contactors

NO: Normaly open

NF: Normaly closed

Ordering Reference	Type	Auxiliary contact	Power in 400 Volts (Kw)	Coil voltage/frequency
--CW--12AL-019--EE	A9.30.10	1 NO	4	220 V / 50 HZ
--CW--12AL-022--EE	A12.30.10	1 NO	5,5	220 V / 50 HZ
--CW--12AL-025--EE	A16.30.10	1 NO	7,5	220 V / 50 HZ
--CW--12AL-034--EE	A26.30.10	1 NO	11	220 V / 50 HZ
--CW--12AL-040--EE	A30.30.10	1 NO	15	220 V / 50 HZ
--CW--12AL-060--EE	A30.30.10	1 NO	15	220 V / 50 HZ
--CW--12AL-064--EE	A50.30.11	/	22	220 V / 50 HZ
--CW--12AL-079--EE	A63.30.11	/	30	220 V / 50 HZ
--CW--12AL-090--EE	A75.30.10	/	37	220 V / 50 HZ
--CW--12AL-619--EE	A9.30.10	1 NO	4	24 V / 50 HZ
--CW--12AL-622--EE	A12.30.10	1 NO	5,5	24 V / 50 HZ
--CW--12AL-625--EE	A16.30.10	1 NO	7,5	24 V / 50 HZ
--CW--12AL-634--EE	A26.30.10	1 NO	11	24 V / 50 HZ
--CW--12AL-640--EE	A30.30.10	1 NO	15	24 V / 50 HZ
--CW--12AL-660--EE	A30.30.10	1 NO	15	24 V / 50 HZ
--CW--12AL-664--EE	A50.30.11	/	22	24 V / 50 HZ
--CW--12AL-679--EE	A63.30.11	/	30	24 V / 50 HZ





## SIEMENS

Auxiliary contact relays

NO: Normaly open

NF: Normaly closed

Below given values are issued from Siemens catalog, they are absolutely not the values witch are used to select components in CARRIER units

Ordering Reference	With box terminal	Contacts type
3RH1911-1FA40	SCREW	4NO
3RH1911-1HA01	SCREW	1NF
3RH1911-1HA12	SCREW	1NO / 2NF
3RH1911-1HA22	SCREW	2NO / 2NF
3RH1911-2HA01	CAGE CLAMP	1 NF
3RH1911-2HA12	CAGE CLAMP	1NO / 2NF
3RH1921-1DA11	SCREW (LATERAL)	1NO / 1 NF
3RH1921-1EA11	SCREW	1NO / 1NF
3RH1921-1EA20	SCREW (LATERAL)	2NO
3RH1921-1LA11	SCREW	1NO / 1 NF
3RH1921-1LA20	SCREW	2 NO
3RH1921-2DA11	CAGE CLAMP	1NO / 1NF
3RH1921-2FC22	CAGE CLAMP	2 NO / 2 NF
3RH1921-2HA22	CAGE CLAMP	2 NO / 2 NF
5ST3010	-	1NF / 1NO



## TELEMECANIQUE

Auxiliary contact relays

NO: Normaly open

NF: Normaly closed

Ordering Reference	Contacts type
--CT--12XA-011--EE	1 NO / 1 NF
--CT--12XA-013--EE	1 NO / 3 NF
--CT--12XA-022--EE	1 NO / 2 NF
--CT--12XA-040--EE	4 NO



## SCHNEIDER

Auxiliary contact relays

NO: Normaly open

NF: Normaly closed

Ordering Reference	With box terminal	Contacts type
LA1KN11	SCREW	1NO / 1 NF



## ABB

Auxiliary contact relays

NO = Normaly Open

NF = Normaly closed

Ordering Reference	Type	Auxiliary contact
--CW--12XL-001--EE	CA5 01	1 NF
--CW--12XL-010--EE	CA5 10	1 NO



# EATON

## Breakers

Breaking capacity 4000A with 400V.  
Reverser auxiliary contact placed on the rear

Ordering Reference

Nominal current in Ampere with 400  
Volts

With box terminal

Short circuit breaking capacity at 400  
Volt (KA)

--FL--12JA-052--EE

52

SCREW

5000A / 480VAC / UL508

--FL--12JA-055--EE

54

SCREW

5000A / 480VAC / UL508

--FL--12JA-060--EE

60

SCREW

5000A / 480VAC / UL508

--FL--12JA-066--EE

65

SCREW

5000A / 480VAC / UL508

--FL--12LA-070--EE

70

SCREW

5000A / 480VAC / UL508

--FL--12JA-076--EE

76

SCREW

5000A / 480VAC / UL508

--FL--12JA-077--EE

77

SCREW

5000A / 480VAC / UL508

--FL--12JA-078--EE

78

SCREW

5000A / 480VAC / UL508

--FL--12JA-080--EE

80

SCREW

5000A / 480VAC / UL508

--FL--12LA-080--EE

80

SCREW

5000A / 480VAC / UL508

--FL--12JA-084--EE

84

SCREW

5000A / 480VAC / UL508

--FL--12JA-088--EE

88

SCREW

5000A / 480VAC / UL508

--FL--12JA-089--EE

89

SCREW

5000A / 480VAC / UL508

--FL--12JA-097--EE

97

SCREW

5000A / 480VAC / UL508

--FL--12HA-012--EE

12

CAGE CLAMP

5000A / 480VAC / UL508

--FL--12HA-015--EE

15

CAGE CLAMP

5000A / 480VAC / UL508

--FL--12JA-015--EE

15

SCREW

5000A / 480VAC / UL508

--FL--12JA-020--EE

20

SCREW

5000A / 480VAC / UL508

--FL--12JA-025--EE

25

SCREW

5000A / 480VAC / UL508

--FL--12JA-030--EE

30

SCREW

5000A / 480VAC / UL508

--FL--12JA-036--EE

36

SCREW

5000A / 480VAC / UL508

--FL--12LA-038--EE

38

SCREW

5000A / 480VAC / UL508

--FL--12JA-041--EE

41

SCREW

5000A / 480VAC / UL508

--FL--12JA-050--EE

50

SCREW

5000A / 480VAC / UL508

**SCHNEIDER**

## Breakers

Below given values are issued from Schneider catalog, they are absolutely not the values witch are used to select the components in CARRIER units

Ordering Reference	Nominal current in Ampere on 400 Volts	With box terminal
000000000000025421	4	SCREW
000000000000025507	32	SCREW
000000000000025508	40	SCREW
000000000000025509	50	SCREW



## SIEMENS

### Breakers

Without auxiliary contact bloc. Below given values are issued from Siemens catalog, they are absolutely not the values witch are used to select components in CARRIER units

Ordering Reference	Nominal current in Ampere on 400 Volts	Overcurrent release (A)	Thermal overload release (setting current (A))	With box terminal
3RV1021-OCA10	0,25	3	0,18 - 0,25	SCREW
3RV1011-OCA10	0,25	3,3	0,18 - 0,25	SCREW
3RV1011-ODA10	0,32	3,8	0,22 - 0,32	SCREW
3RV1011-ODA20	0,32	3,8	0,22 - 0,32	CAGE CLAMP
3RV1011-OFA10	0,5	6	0,35 - 0,5	SCREW
3RV1011-OGA20	0,63	7,6	0,45 - 0,63	CAGE CLAMP
3RV1011-OGA10	0,63	8,2	0,45 - 0,63	SCREW
3RV1011-OHA20	0,8	10	0,55 - 0,80	CAGE CLAMP
3RV1011-OJA10	1	12	0,70 - 1,00	SCREW
3RV1011-OJA20	1	12	0,70 - 1,00	CAGE CLAMP
3RV1011-OKA20	1,25	15	0,9 - 1,25	CAGE CLAMP
3RV1011-OKA10	1,25	16	0,9 - 1,25	SCREW
3RV1011-1AA20	1,6	19	1,1 - 1,6	CAGE CLAMP
3RV1011-1AA10	1,6	21	1,1 - 1,6	SCREW
3RV1011-1BA20	2	24	1,4 - 2	CAGE CLAMP
3RV1011-1BA10	2	26	1,4 - 2	SCREW
3RV1011-1CA10	2,5	30	1,8 - 2,5	SCREW
3RV1011-1CA20	2,5	30	1,8 - 2,5	CAGE CLAMP
3RV1011-1DA10	3,2	42	2,2 - 3,20	SCREW
3RV1011-1DA20	3,3	42	2,2 - 3,3	CAGE CLAMP
3RV1011-1EA10	4	52	2,8 - 4	SCREW
3RV1011-1FA20	5	60	3,50 - 5,00	CAGE CLAMP
3RV1011-1GA10	6,3	82	4,5 - 6,3	SCREW
3RV1011-1GA20	6,3	82	4,5 - 6,3	CAGE CLAMP
3RV1011-1HA10	8	96	5,5 - 8	SCREW
3RV1011-1HA20	8	96	5,5 - 8	CAGE CLAMP
3RV1011-1JA10	10	120	7 - 10	SCREW
3RV1011-1KA10	12	156	9 - 12	SCREW
3RV1011-1KA20	12	156	9 - 12	CAGE CLAMP

For other codes, please consult us



## SIEMENS

### Breakers

Without auxiliary contact bloc. Below given values are issued from Siemens catalog, they are absolutely not the values witch are used to select components in CARRIER units

Ordering Reference	Nominal current in Ampere on 400 Volts	Overcurrent release (A)	Thermal overload release (setting current (A))	With box terminal
3RV1021-0GA10	0,63	7,6	0,45-0,63	SCREW
3RV1021-1BA15	2	26	1,4-2	SCREW
3RV1021-1EA10	4	48	2,8-4	SCREW
3RV1421-1CA10	2,5	52	1,6-2,5	SCREW
3RV1021-1GA10	6,3	82	4,5-6,3	SCREW
3RV1021-1HA10	8	96	5,5-8	SCREW
3RV1021-1KA10	12	150	9,2-12,0	SCREW
3RV1021-4AA10	16	208	11-16	SCREW
3RV1021-4AA15	16	208	11-17	SCREW
3RV1021-4BA10	20	260	14-20	SCREW
3RV1021-4BA15	20	260	14-20	SCREW
3RV1021-4DA10	25	300	20-25	SCREW



# CARRIER

## Fuses

Ordering Reference	Rated current (A)	Diameter x Height
--FA--12AA-012--EE	0,1	5 X 20
--FA--12AA-015--EE	0,2	5 X 20
--FA--12AA-022--EE	1	5 X 20
FUSE010	1	5X20
--FA--12AA-025--EE	1,6	5 X 20
--FA--12DA-015--EE	2	/ X 18,54
--FA--12AA-005--EE	2	5 X 20
--FA--12AA-026--EE	2,5	5 X 20
--FA--12AA-002--EE	4	5X20
000000000006110282	5	6,3 X 32
--FA--12AA-028--EE	6,3	5 X 20
--FA--12AA-003--EE	8	5X20
A205643	12	14X51
--FB--12AM-020--EE	20	10X38
N205655/R214122J	50	22X58
--FA--12AA-001--EE		

## SCHNEIDER

### Fuses

Ordering Reference	Rated current (A)	Diameter x Height
FUSE060	6	5X20
FUSE080	8	5X20
FUSE10A	10	5X20



## SIEMENS

### Cylindrical fuses

Below given values are issued from SIEMENS catalog, they are absolutely not the values witch are used to select the components in CARRIER units

Ordering Reference	Rated current (A)	Diameter x Height
3NW7013	32	10X38
3NW6117-1	40	14X51
3NW6120-1	50	14X51
3NW6110-1	25	14X51
3NW6112-1	32	14X51



## SIEMENS

### Link fuses

Below given values are issued from SIEMENS catalog, they are absolutely not the values which are used to select the components in CARRIER units

Ordering Reference	Rated current (A)
--FB--12AH-006--EE	6
--FB--12AH-025--EE	25
--FB--12AH-035--EE	35 (T00)
3NA3817	40
--FB--12AH-050--EE	50
3ND2122	63 (T1)
--FB--12AH-063--EE	63 (T00)
--FB--12AH-080--EE	80 (T00)
3NA6130	100 (T1)
3ND2130	100
3NA3830	100 (T00)
3NA3832-8	125
3ND2132	125
3NA3832	125 (T00)
3NA3140	200 (T1)
3NA3142	224 (T1)
3NA3260	400 (T2)
3NA3365	500 (T3)
3NE3335	560
3NA3372	630 (T3)



## SIEMENS

### Link fuses

Below given values are issued from SIEMENS catalog, they are absolutely not the values which are used to select the components in CARRIER units

Ordering Reference	Rated current (A)
3NA3801-6	6 (T00)
3NA3812-6	32
3NA3830	100 (T00)
--FA--12BJ-125--EE	125 (T00)
3NA3832	125 (T00)
3NA3136	160 (T1)
--FB--12AH-160--EE	160
3NA3140-6	200 (T1)
3NA3142	224 (T1)
3NA3144	250 (T1)
3NA3244	250 (T2)
3NA3252	315 (T2)
3NA3352	315 (T3)
3NA3254	355 (T2)
3NA3260	400 (T2)
3NA3365	500 (T3)
3NA3372	630 (T3)



## SIEMENS

### Fuses switch disconnector

Below given values are issue from SIEMENS catalog - they are absolutely not the values witch are used to select components in CARRIER units

Ordering Reference	Rated current (A)	Bar set mounting	Max conductor cross section	Fuses type	Symmetrically shaped mounting
3NP4015-1CK01	160	X	1,5 Å 50 MM <sup>2</sup>	NH000	
3NH4030			95 MM <sup>2</sup>		
3NP4010-0CH01	160		1,5 Å 50 MM <sup>2</sup>	NH000	X
3NP4015-1CJ01	160	X	1,5 Å 50 MM <sup>2</sup>	3NH000	
3NP4016-1CJ01	160	X	1,5 Å 50 MM <sup>2</sup>	3NH000	
3NP4016-1CK01	160	X	1,5 Å 50 MM <sup>2</sup>	3NH000	
3NP4070-0CA01	160		1,5 Å 50 MM <sup>2</sup>	NH00	X
3NH3330			95 MM <sup>2</sup>		
3NH4230			150 MM <sup>2</sup>		



## SIEMENS

### Switch disconnectors without fuse

Below given values are issued from SIEMENS catalog, they are absolutely not the values which are used to select the components in CARRIER units

Ordering Reference	Rated current (A)	Voltage (V)	Number of poles	Width (m)	Height (m)	Depth (m)	Disconnecting switch handle reference	Shaft reference
3LD2213-0TK51	32	690	3	67	83	451,5	3LD9224-1B	NC
3KA7112-3AA00	45	690	3	142	113	73	NC	NC
3LD2514-0TK51	63	690	3	90	106	468,5	3LD9284-1B	NC
3KA7114-3AA00	80	690	3	142	113	73	3KX7112-2AA00	3KX7116-2AD00
3KA7115-3AA00	100	690	3	142	113	73	3KX7112-2AA00	3KX7116-2AD00
3KA7116-3AA00	125	690	3	142	113	73	3KX7112-2AA00	3KX7116-2AD00
3KA7121-3AA00	160	690	3	168	152	81	3KX7112-2AA00	3KX7116-2AD00
3KA7122-3AA00	200	690	3	168	152	81	3KX7112-2AA00	3KX7116-2AB00
3KL5530-1AB01	250	690	3	247	160	209	8UC7313-1BB30	DELIVERED WITH THE HANDLE
3KA7123-3AA00	250	690	3	168	152	81	3KX7112-2AA00	3KX7116-2AD00
3KA7131-3AA00	315	690	3	235	196	93	3KX7112-4AA00	3KX7116-5AD00
3KA7132-3AA00	400	690	3	400	440	690	3KX7112-4AA00	3KX7116-5AD00
3KA7141-3AA00	630	690	3	280	230	120,5	3KX7112-4AA00	3KX7116-5AD00



## SCHNEIDER

Switch disconnectors without fuse

Below given values are issued from Schneider catalog, they are absolutely not the values witch are used to select the components in CARRIER units

Ordering Reference	Rated current (A)	Voltage (V)	Number of poles	Width (m)	Height (m)	Depth (m)
00000000000028908	100	690	3	135	100	45
00000000000028910	125	690	3	135	100	45
00000000000028912	160	690	3	135	100	45
00000000000031102	200	690	3	14	136	86





## SIEMENS

### Transformers

Below given values are issued from SIEMENS catalog, they are absolutely not the values which are used to select the components in CARRIER units

Ordering Reference	Power (Volt Ampere)	Primary / secondary(ies) voltage
TAM4396-0EH20-0FN1	315	690/115-24V
TAM3896-0BQ70-0EN1	24V = 2X30VA / 115V = 144VA	400/15-24V
4AM4342-5AN00-0EA1	315	400/24V
TAM4396-0EM10-0EN1	24V = 120VA / 230V = 184VA	400/230V
4AM46425MK1010-0F0	400	690/115V
TAM4696-0EN30-0FN1	24V=151VA / 115V = 230VA	460-380/115-24V
TAM8196-0AX40-0EN1	24V = 120VA / 115V = 184VA	400/115-24V
TAM3496-0FS30-0EN1	24V = 120VA	400/24V
4AM3496-0EL70-0EN1		400/24V (SEB 30RB UNIT)
TAM3496-0EL10-0EN1		400/24V
TAM3896-0EB40-0EN1		400/115-24V
4AM3896-0ED70-0EN1		400/24V
TAM4096-0EV00-0EN1		400/115-24V
TAM4096-0EC10-0EN1		400/230-24V
4AM4396-0EH70-0EN1		400/230-24V
TAM4396-0EM10-0EN1		400/230-24V
4AM4642-5AN00-0EA1		400/24V
TAM3496-0BR50-0EN1		400/24V
4AM8196-0AX40-0EN1		400/115-24V
4AM8196-0AY40-0EN1		400/24V

## ISME

### Transformers

Ordering Reference	Power (Volt Ampere)	Primary / secondary(ies) voltage
0351901H44	7	230V/12V
0351901H50	7	230V/12V
0351901X41	7	230V/12V
0351901X43	7	230V/12V
0351901X46	7	230V/12V
0351901X29	15	230V/24V

## SCHNEIDER

### Transformers

Below given values are issued from Schneider catalog, they are absolutely not the values witch are used to select the components in CARRIER units

Ordering Reference	Power (Volt Ampere)	Primary / secondary(ies) voltage	Size
TSM30038	185	400VAC / 24VAC	110X135X180
TSM29146	215	400VAC / 24VAC	110X140X180
TSM29147	255	400 VAC / 24VAC	110X150X180
00PSG001283300D	630	6600V / 400V	



## SIEMENS

3 - Phases busbars

Ordering Reference	Mm <sup>2</sup>
3RV1915-1CB	45MM FOR 4 CIRCUIT-BREAKERS
3RV1915-1DB	45MM FOR 5 CIRCUIT-BREAKERS



## SIEMENS

Thermal overload relays

Below given values are issued from SIEMENS catalog, they are absolutely not the values which are used to select the components in CARRIER units

Ordering Reference	Setting range (A)
3RU1116-0KB0	0,90 - 1,25
3RU1116-1CB0	1,80 - 2,50
3RU1116-1CC1	1,80 - 2,50
3RU1116-1EB0	2,80 - 4
3RU1116-1FC1	3,50 - 5
3RU1116-1GB0	4,50 - 6,30
3RU1116-1GC1	4,50 - 6,30
3RU1116-1HB0	5,50 - 8
3RU1116-1HC1	5,50 - 8
3RU1116-1JB0	7-10
3RU1126-4AB0	11 - 16
3RU1126-4CB0	17 - 22
3RU1136-4EB0	22 - 32
3RU1136-4FB0	28 - 40



## SIEMENS

Relays

Ordering Reference	Type	Voltage (VAC)
3TX7005-1LB00	INTERFACE	24
3UG4511-1AP20	CONTROL	400
3UG4511-2AP20	CONTROL	400

For other codes, please consult us



## TELEMECANIQUE

Thermal overload relays

Manual reset

Maximum current on auxiliary contact = 10A

Ordering Reference	Setting range (A)
--OL--12TV-018--EC	12 - 18
--OL--12TV-021--EC	16 - 24
--OL--12TV-028--EC	23 - 32
--OL--12TV-031--EC	30 - 38
--OL--12TV-044--EC	37 - 50
--OL--12TV-065--EC	48 - 65



## ABB

Thermal overload relays

Manual reset.

Maximum current on auxiliary contact = 10A

Ordering Reference	Setting range (A)
--OL--12TY-019--EE	13 - 19
--OL--12TY-025--EE	18 - 25
--OL--12TY-032--EE	24 - 32
--OL--12TY-042--EE	29 - 42



## CROUZET

Time delay relays

Temperature range: -30°C to +60°C

Ordering Reference

Maximum current at 20°C (A)

Temporizing setting

Voltage (V)

--OJ--12MC-003--EE

0,2

5MIN30S

220V

--OJ--12MA-004--EE

0,7

0,75S

220V

Electrical Parts



## FINDER

Relays

Ordering Reference	Auxiliary contact	Nominal current/ Max current (A)	Nominal voltage/ Max voltage	Nominal load AC1 (VA)	Nominal load AC15 (230 V AC) (VA)	Power engine single phased (230 V AC) kW	Breaking DC1: 30/110/220 (VA)	Minimum switching load	Coil: voltage (Un) (V AC (50/60Hz))	Coil: voltage (Un) (V DC)	Coil: setting range AC/DC
0351801X83	1 NO / 1NC	20/40	250/400	5000	1000	1,1	20/0,8/0,5	1000 (10/10)	6-12-24-48-60-110-120-230-240-400	6-12-24-48-60-110-125-220	(0,8...1,1)UN - (0,85...1,1UN)
0351802X47	3 CONTACTS	16/30	250/400	4000	750	0,8/1,5	16/0,6/0,4	1000 (10/10)	6-12-24-48-60-110-120-230-240-400	6-12-24-48-60-110-125-220	(0,8...1,1)UN - (0,8...1,1UN)
0351804H56	2 CONTACTS	10/20	250/400	2500	500	0,37	10/0,25/0,12	300 (5/5)	6-12-24-48-60-110-120-230-240	6-12-24-48-60-110-125-220	(0,8...1,1)UN - (0,8...1,1UN)
0351804H58	4 CONTACTS	7/15	250/250	1750	350	0,125	7/0,25/0,12	300 (5/5)	6-12-24-48-60-110-120-230-240	6-12-24-48-60-110-125-220	(0,8...1,1)UN - (0,8...1,1UN)

For other codes, please consult us



## BLETARD

Aluminium case capacitors

Ordering Reference	Capacity (µF)	Voltage (Volt)	Diameter size x length (mm)	Features
0353102X08	1,5	450V	30X63	DOUBLE FASTON, SCREW FASTENING
0353102X09	2,5	450V	30X63	SINGLE FASTON, SCREW FASTENING
0353102X02	4	450V	30X63	DOUBLE FASTON, SCREW FASTENING
0353102H20	10	450V	35X78	DOUBLE FASTON, SCREW FASTENING
0353101X89	40	450V	55X128	DOUBLE FASTON, SCREW FASTENING
0353101X50	45	450V	55X128	DOUBLE FASTON, FLAT BOTTOM
0353101H86	45	450V	55X128	DOUBLE FASTON, SCREW FASTENING
0353102X03	50	450V	55X128	DOUBLE FASTON, SCREW FASTENING
0353102X15	50	450V	55X128	DOUBLE FASTON, SCREW FASTENING

For other codes, please consult us

[www.carrier-ercd.com](http://www.carrier-ercd.com)





## BLETARD

Plastic case capacitors

Ordering Reference	Capacity (µF)	Voltage (Volt)	Diameter size x length (mm)	Features
0353103H08	1	450V	30X51	SINGLE FASTON, FLAT BOTTOM
0353103H03	1,5	450V/500V	30X51	SINGLE FASTON, FLAT BOTTOM
0353101H20	1,5	450V	30X51	SINGLE FASTON, SCREW FASTENING
0353101X30	1,5	450V	30X51	DOUBLE FASTON, FLAT BOTTOM
0353101H25	2	450V	30X51	SINGLE FASTON, SCREW FASTENING
0353103H04	2	450V/500V	30X51	SINGLE FASTON, FLAT BOTTOM
0353101X73	2,5	450V	30X51	DOUBLE FASTON, SCREW FASTENING
0353101H21	2,5	450V	30X51	SINGLE FASTON, SCREW FASTENING
0353101X32	2,5	450V	30X51	DOUBLE FASTON, FLAT BOTTOM
0353101H34	3	450V	30X51	SINGLE FASTON, SCREW FASTENING
0353101X04	3	450V	30X51	DOUBLE FASTON, FLAT BOTTOM
0353103H26	3,5	450V	30X51	DOUBLE FASTON, SCREW FASTENING
0353103H12	4	450V	30X51	SINGLE FASTON, FLAT BOTTOM
0353101H05	4	450V	30X51	DOUBLE FASTON, FLAT BOTTOM
0353101H53	5	450V	30X71	SINGLE FASTON, SCREW FASTENING
0353101H07	5	450V	30X71	DOUBLE FASTON, FLAT BOTTOM
0353103H25	5	450V	30X71	DOUBLE FASTON, SCREW FASTENING
0353103H09	6,3	450V/500V	30X71	SINGLE FASTON, FLAT BOTTOM
0353101X52	9	450V	35X71	DOUBLE FASTON, FLAT BOTTOM
0353101X56	10	280V	30X71	SINGLE FASTON, SCREW FASTENING
0353101X11	20	450V	45X71	DOUBLE FASTON, FLAT BOTTOM
0353101X63	20	450V	45X91	DOUBLE FASTON, SCREW FASTENING
0353101X13	30	450V	45X91	DOUBLE FASTON, FLAT BOTTOM
0353101X76	30	450V	45X91	DOUBLE FASTON, SCREW FASTENING

For other codes, please consult us



## DUCATI ENERGIA

### Capacitors

Ordering Reference	Capacity ( $\mu\text{F}$ )	Voltage (Volt)	Diameter size x length (mm)
0353101X31	2	450V	28X55
0353101X44	2	475V	30X60
0353102X14	2	450V	35X60
0353102X13	15	475V	40X98
0353101X64	30	475V	45X122
0353101X80	35	475V	45X122



## CARRIER

### Capacitors

Ordering Reference	Type	Capacity (µF)	Voltage (Volt)	Height x diameter size (mm)
---P-291--3553--S	SINGLE	2	370	/
---P-291--0304--S	SINGLE	4	370	/
---P-291--2504--S	SINGLE	4	400	63 X 30
---P-291--0503R-S	SINGLE	5	370	/
---P-291--0404--S	SINGLE	5	370	/
---P-291--0504--S	SINGLE	7,5	370	/
---P-291--0753--S	SINGLE	10	370	/
---P-291--0754--S	SINGLE	10	370	/
---P-291--1003--S	SINGLE	15	370	/
---P-291--1503--S	SINGLE	25	370	/
---P-291--1004--S	SINGLE	25	370	/
---P-291--2503--S	DUAL	25 + 5	370	/
---P-291--2553--S	DUAL	35 + 5	370	/
0353101H59	SINGLE	1	425	65 X 28
0353101H20	SINGLE	1,5	400	75 X 28
0353101H25	SINGLE	2	400	75 X 28
0353101H21	SINGLE	2,5	400	75 X 28
0353101H17	SINGLE	4	400	106 X 38
0353101H07	SINGLE	5	400	82 X 30
0353101X62	SINGLE	25	425	115 X 45
0353101X65	SINGLE	25	400	150 X 45
0353101X16	SINGLE	40	425	135 X 50
0353101H19	SINGLE	40	425	75 X 28
0353103H03	SINGLE	1,5	400	65 X 28
0353103H04	SINGLE	2	400	65 X 28
0353103H17	SINGLE	3,5	400	75 X 30
0353103X15	SINGLE	4	425	80 X 28
0353103H09	SINGLE	6,3	400	82 X 30
0353101H86	SINGLE	45	400	140 X 55
PMF630ALVCS635SM8	NC	6	400	/ X 40
PMF1000ALVCS6-35S	NC	10	400	/ X 45

For other codes, please consult us



## SIEMENS

Plastic disconnecting switch

Below given values are issued from SIEMENS catalog, they are absolutely not the values witch are used to select the components in CARRIER units

Ordering Reference	Disconnecting switch type	Lenght (mm)
3KX7112-2AA00	3K 711 & 3K 713	70
3KX7112-4AA00	3K 711 & 3K 712	120

## ELECTRICAL PARTS / DISCONNECTING SWITCH SHAFT



## SIEMENS

Disconnecting switch shaft

Below given values are issued from SIEMENS catalog, they are absolutely not the values witch are used to select the components in CARRIER units

Ordering Reference	Square dimension (mm)	Lenght (mm)
3KX7116-2AD00	10	400
3KX7116-5AD00	12	400



## SIEMENS

Switch disconnectors

Ordering Reference	Type
13042SB-S	250
14023DA-S	400
14023DB-S	400
15020DB-S	630
12043SB-S	160

## ELECTRICAL PARTS / CRANKCASE HEATER

### SEDES

Crankcase heater

Ordering Reference	Power (Watt)	Voltage (Volt)	Total length (mm)	Maximum working temperature (°C)
0351501H54	19 (-0+20%)	240	2565	180
0351501H59	19 (-0+20%)	240	2165	180
0351501H44	25 (+/-10%)	240	2650	180
0351501H50	25 (+/-10%)	240	4850	180
0351501H60	25 (+/-10%)	240	2450	180
0351501H65	28 (+/-10%)	240	2430	180
0351501H66	35 (+/-10%)	240	2950	180

For other codes, please consult us



## HONEYWELL

### Actuators

Ordering Reference	Rotation angle	Contactora	Torque (Nm)	Security function	Modulating 230V	Modulating 24V	Running time (Min)	Open-close 230V	Open-close 24V
--OP--120B-002--EE	LINEAR ACTION 8MM	NO	90	STEM RETRACT WITHOUT POWER	NO	NO	3,5	YES	NO
OP120B004EE	LINEAR ACTION 8MM	NO	90	STEM RETRACT WITHOUT POWER			6	NO	YES

## SERVOMOTORS



Surface m <sup>2</sup> registre	Sans fonction de sécurité	Avec fonction de sécurité (ressort de rappel)
< 0,4		TF
< 0,8		LF
< 1	LM	
< 2	NM	
< 4	SM	
< 8	GM	
< 3		AF



## SELECTION DES SERVOMOTEURS ET ACCESSOIRES

	Couple		TOR 24V	TOR 230V	Proportionnel 24V	Proportionnel 230V
Sans fonction de sécurité	5 Nm	sans contact	LM 24A	LM 230A	LM 24A SR	LM 230A SR
		avec 1 contact	LM 24A+S1A	LM 230A+S1A	LM 24A SR+S1A	LM 230A SR+S1A
		avec 2 contacts	LM 24A+S2A	LM 230A+S2A	LM 24A SR+S2A	LM 230A SR+S2A
	10 Nm	sans contact	NM 24A	NM 230A	NM 24A SR	NM 230A SR
		avec 1 contact	NM 24A+S1A	NM 230A+S1A	NM 24A SR+S1A	NM 230A SR+S1A
		avec 2 contacts	NM 24A+S2A	NM 230A+S2A	NM 24A SR+S2A	NM 230A SR+S2A
	20 Nm	sans contact	SM 24A	SM 230A	SM 24A SR	SM 230A SR
		avec 1 contact	SM 24A+S1A	SM 230A+S1A	SM 24A SR+S1A	SM 230A SR+S1A
		avec 2 contacts	SM 24A+S2A	SM 230A+S2A	SM 24A SR+S2A	SM 230A SR+S2A
	40 Nm	sans contact	GM 24A	GM 230A	GM 24A SR	X
		avec 1 contact	GM 24A+S1A	GM 230A+S1A	GM 24A SR+S1A	X
		avec 2 contacts	GM 24A+S2A	GM 230A+S2A	GM 24A SR+S2A	X
Avec fonction de sécurité (ressort de rappel)	2 Nm	sans contact	TF 24	TF 230	TF 24 SR	X
		avec 1 contact	TF 24 S	TF 230 S	X	X
	4 Nm	sans contact	LF 24	LF 230	LF 24 SR	X
		avec 1 contact	LF 24 S	LF 230 S	X	X
	15 Nm	sans contact	AF 24	AF 230	AF 24 SR	X
		avec 1 contact	AFR 24 S	AFR 230 S	X	X
		avec 2 contacts	AF 24 S	AF 230 S	AF 24 SR S	X

X = N'existe pas

Reference	Reference
LM24A	TF24
LM230A	TF24-S
LM24A-SR	TF230
LM230ASR	TF230-S
NM24A	TF24-SR
NM230A	LF24
NM24A-SR	LF24-S
SM24A	LF230
SM230A	LF230-S
SM24A-SR	LF24-SR
SM230ASR	AF24
GM24A	AFR24-S
GM230A	AF24-S
GM24A-SR	AF230
S1A	AFR230-S
S2A	AF230-S
	AF24-SR
	AF24-SR-S

SERVOMOTEUR VANNE D'AIR NEUF		
Réf Carrier	Diamètre 125mm	Diamètre 160mm
OP-12NA-055—EE	X	
OP-12NA-056—EE		X

For other codes, please consult us





## BELIMO

Damper actuator

Ordering Reference	Rotation angle	Contactor	Torque	Security function	Modulating 230V	Modulating 24V	Running Time	Open-Close 230V	Open-Close 24V
LM24A	95°	OPTION	5 NM	NON	X	X	150 SEC.	X	OUI
LM230A	95°	OPTION	5 NM	NON	X	X	150 SEC.	OUI	X
LM24A-SR	95°	OPTION	5 NM	NON	X	OUI	150 SEC.	X	X
LM230ASR	95°	OPTION	5 NM	NON	OUI	X	150 SEC.	X	X
NM24A	95°	OPTION	10NM	NON	X	X	150 SEC.	X	OUI
NM230A	95°	OPTION	10NM	NON	X	X	150 SEC.	OUI	X
NM24A-SR	95°	OPTION	10NM	NON	X	OUI	150 SEC.	X	X
SM24A	95°	OPTION	20NM	NON	X	X	150 SEC.	X	OUI
SM230A	95°	OPTION	20NM	NON	X	X	150 SEC.	OUI	X
SM24A-SR	95°	OPTION	20NM	NON	X	OUI	150 SEC.	X	X
SM230ASR	95°	OPTION	20NM	NON	OUI	X	150 SEC.	X	X
GM24A	95°	OPTION	40NM	NON	X	X	150 SEC.	X	OUI
GM230A	95°	OPTION	40NM	NON	X	X	150 SEC.	OUI	X
GM24A-SR	95°	OPTION	40NM	NON	X	OUI	150 SEC.	X	X



## BELIMO

Spring return actuator

Ordering Reference	Rotation angle	Contactors	Torque	Security function	Modulating 230V	Modulating 24V	Running Time	Open-Close 230V	Open-Close 24V
TF24	95°	X	2NM	OUI	X	X	<75 SEC.	X	OUI
TF24-S	95°	1	2NM	OUI	X	X	<75 SEC.	X	OUI
TF230	95°	X	2NM	OUI	X	X	<75 SEC.	OUI	X
TF230-S	95°	1	2NM	OUI	X	X	<75 SEC.	OUI	X
TF24-SR	95°	X	2NM	OUI	X	OUI	<75 SEC.	X	X
LF24	95°	X	4NM	OUI	X	X	40 - 75 SEC.	X	OUI
LF24-S	95°	1	4NM	OUI	X	X	40 - 75 SEC.	X	OUI
LF230	95°	X	4NM	OUI	X	X	40 - 75 SEC.	OUI	X
LF230-S	95°	1	4NM	OUI	X	X	40 - 75 SEC.	OUI	X
LF24-SR	95°	X	4NM	OUI	X	OUI	150 SEC.	X	X
AF24	95°	X	15NM	OUI	X	X	150 SEC.	X	OUI
AFR24-S	95°	1	15NM	OUI	X	X	150 SEC.	X	OUI
AF24-S	95°	2	15NM	OUI	X	X	150 SEC.	X	OUI
AF230	95°	X	15NM	OUI	X	X	150 SEC.	OUI	X
AFR230-S	95°	1	15NM	OUI	X	X	150 SEC.	OUI	X
AF230-S	95°	2	15NM	OUI	X	X	150 SEC.	OUI	X
AF24-SR	95°	0	15NM	OUI	X	OUI	150 SEC.	X	X
AF24-SR-S	95°	2	15NM	OUI	X	OUI	150 SEC.	X	X



## CARRIER

Flotronic 1 Control

Unloaded cards need Carrier Service intervention

Ordering Reference	Description
32GB-660---005--S	MICRO PROCESSOR BOARD MPB / CARTE MICOPROCESSEUR MPB
32GB-500---034--C	RELAY BOARD / CARTE RELAIS RB
32GB-500---044--S	DISPLAY BOARD
32GB-500---254--S	SET POINT BOARD SPB
32GB-500---734--C	EXV BOOSTER BOARD
--GB--12JC-016--EE	EXV BOOSTER BOARD TRANSFORMER
--HN--65KZ-027--C	COMPRESSOR PROTECTION SYSTEM CPCS
--GB--12KM-001--EE	TRANSFORMER 230V/24V
--HT--01BZ-230--S	TRANSFORMER 230/17-2X9V
--HT--38KN-001--C-	MPB BOARD HEATER
--HH--79NZ-013--C	CONTACT SENSOR
32GB-660---002--S	SENSOR KIT
--DC--99RA-025--C	SENSOR COUPLING
--HK--35AZ-001--C	ELECTRONIC BOARD
--HH--83ZH-001--C-	BREAKER
30GB-509---152--C	HEATER
30HT-511---642--EE	PRODIALOG FRAME



## CARRIER

Flotronic 2 control

Unloaded cards need Carrier Service intervention

Ordering Reference	Description
--HK--50AA-003--C	DSIO MODULE LV 24V
CEPL110189-02	UNLOADED PSIO PROCESSOR MODULE
CECO120803-02	PSIO BATTERY
--HK--50AA-023--EE	PSIO PROCESSOR MODULE
--HK--50AA-004--C	DSIO MODULE EXV DRIVER
30HT-512---382--EE	4 IN X 4 OUT MODULE - CEM
--GB--12JC-017--EE	4 IN X 4 OUT MODULE TRANSFORMER
--FA--12AA-022--EE	FUSE
30HT-512---392--EE	8 IN OPTION MODULE -CEM
--HK--50AA-007--S	8 OUT OPTION MODULE
30GX-660---006--S	HSIO II HUMAN SENSOR I/O
--HN--65CT-011--C	COMPRESSOR PROTECTION CONTROL BOARD
--HR--53ZK-001--S	SWITCH ON-OFF-CCN
--OP--12KA-009--EE	STARTER GUARD AM
--HK--35AA-002--C	TRANSDUCER POWER SUPPLY 5VDC
--OK--12SW-125--EE	230V RELAY
--OK--12AC-025--EE	RELAY 19-24V DC
--WG--12KA-002--EE	SAFETY THERMOSTAT
--WG--12KA-003--EE	THERMOSTAT
--HK--50AA-001--C	SENSOR MODULE
--HK--50AA-002--S	DEFROST BOARD
--HK--50AA-006--C	MODULE 8 IN
--HK--50AA-008--C-	MODULE
--HK--50AA-014--S	COMMUNICATION MODULE
--HK--50AA-021--S	PROCESSOR UC203
--HK--50AA-029--S	MAIN BLANK BASE BOARD
--HK--50AA-031--S	SYNOPTIC
--HK--50AA-033--S	PSIO II MODULE
--HK--50AA-035--S	ELECTRONIC BOARD
--HK--50AA-039--S	ELECTRONIC BOARD
--HK--50RL-004--S	CARD



## CARRIER

Prodialog et Prodialog + (30H et 30G) Control

Unloaded cards need Carrier Service intervention

Ordering Reference	Description
--OP--12DA-039--EE	HP TRANSDUCER
--HT--08DZ-026--S	CURRENT TRANSFORMER
--OP--12KA-010--EE	COMPRESSOR SAFETY BOARD
32GB-660---012--S	EXV CABLE KIT
--OP--12DA-040--EE	LP TRANSDUCER
CEPL130085-01	MAIN BOARD
--FA--12DA-015--EE	FUSE
--OP--12AS-007--EE	BOARD (TO BE LOADED)
--OP--12AS-008--EE	SYNOPTIC
--OP--12AS-009--EE	SYNOPTIC
--OP--12AS-010--EE	SYNOPTIC
--OP--12AS-011--EE	SYNOPTIC
--OP--12AS-012--EE	SYNOPTIC
--OP--12AS-018--EE	SYNOPTIC
--OP--12AS-021--EE	SYNOPTIC 30H 1 CKT
--OP--12AS-014--EE	SYNOPTIC 30G 1 CKT
--OP--12AS-020--EE	SYNOPTIC 30H 2 CKT
--OP--12AS-019--EE	SYNOPTIC 30G 2 CKT
--OP--12AS-004--EE	EXV BOARD
--OP--12AS-006--EE	EXV AMPLIFIER BOARD
--OP--12AS-015--EE	COMPRESSOR BOARD
--HN--65CT-011--C	GCP BOARD
--OP--12AS-005--EE	4 AI X 2 AO BOARD
--OP--12KA-008--EE	COMPRESSOR SAFETY BOARD
00PSG001103800A	ICM BOARD
--CY--12RB-017--EE	ON-OFF SWITCH
--CY--12RB-018--EE	ON-OFF SWITCH
--HH--79NZ-059--C	WATER SENSOR
--CB--12DE-016--EE	PLASTIC DOOR
32GB-500---422--EE	EXV BOARD
32GB-500---432--EE	AUXILIARY BOARD
32GB-500---442--EE	AUXILIARY BOARD



## CARRIER

Prodialog et Prodialog + (30H et 30G) Control

Unloaded cards need Carrier Service intervention

Ordering Reference	Description
99CM-403---222--EE	TRANSDUCER CABLE 2500 MM
99CM-403---232--EE	TRANSDUCER CABLE 5000MM
99CM-403---242--EE	TRANSDUCER CABLE 6500 MM
99CM-403---252--EE	TRANSDUCER CABLE 12000 MM
99CM-403---632--EE	DGT CABLE 2500MM
99CM-403---642--EE	DGT CABLE 5000 MM
99CM-403---652--EE	DGT CABLE 6500 MM
99CM-403---662--EE	DGT CABLE 8000 MM
99CM-403---672--EE	DGT CABLE 12000 MM
--OP--12DA-057--EE	HP-BP TRANSDUCER
30GT-409---069--C	TRANSDUCER CABLE



## CARRIER

Prodialog + 4 Control

Unloaded cards need Carrier Service intervention

Ordering Reference	Description
32GB-500---062--EE	TIMER BOARD
32GB-500---082--EE	SYNOPTIC
32GB-500---092--EE	SYNOPTIC
32GB-500---102--EE	SYNOPTIC
32GB-500---112--EE	SYNOPTIC
32GB-500---122--EE	SYNOPTIC
32GB-500---132--EE	SYNOPTIC
32GB-500---182--EE	MAIN BOARD 30GX/HX
32GB-500---192--EE	EXV BOARD
32GB-500---372--EE	ELECTRONIC BOARD NRCP2 TO BE LOADED
32GB-500---402--EE	COMPRESSOR BOARD (TO BE LOADED)
32GB-500---472--EE	CONNECTOR





## CARRIER

Prodialog Aquasnap (30RA/RH/RB/RQ) Control

Unloaded cards need Carrier Service intervention

Ordering Reference	Description
00PPG000030700A	LP TRANSDUCER
32GB-500---362--EE	COMPRESSOR PROTECTION BOARD
32GB-500---372--EE	NRCP2 BOARD
32GB-500---392--EE	LEI/JBUS BOARD
00PPG000030600A	HP TRANSDUCER
2XG22030--31AANK	SUCTION TEMPERATURE SENSOR A
2XG22045--32AANL	SUCTION TEMPERATURE SENSOR B
2XG22010--33AANK	SUCTION TEMPERATURE SENSOR C
2XG22055---2AANL	INLET WATER SENSOR
2XG22070---1AANL	OUTLET WATER SENSOR
E353X05028AGYABMA	SUCTION A TRANSDUCER CABLE
E353X05045BGYABMA	SUCTION B TRANSDUCER CABLE
E353X05038BGYABMA	SUCTION C TRANSDUCER CABLE
E353X05026ARDABMA	DISCHARGE A TRANSDUCER CABLE
E353X0.5055BRDABMA	DISCHARGE B TRANSDUCER CABLE
E353X05034CRDBCMA	DISCHARGE C TRANSDUCER CABLE
00PSG000072300A	SYNOPTIC
00PSG000072400A	SYNOPTIC
00PSG000072500A	SYNOPTIC



## CARRIER

Aquaforce Control

Unloaded cards need Carrier Service intervention

Ordering Reference	Description
32GB-500---382--EE	MAIN BOARD
00PPG000012000A	HP & OIL PRESSURE SWITCH
00PSG000281600A	SYNOPTIC
00PSG000469000A	TCPM REGULATION BOARD
00PPG000012100A	
00PPG000012100A	LP TRANSDUCER
32GB-500---422--EE	EXV BOARD
32GB-500---432--EE	AUXILIARY BOARD



**SIEMENS**  
Electronic starters

Ordering Reference	CARRIER Units	Rated current 400 Volts for 40°C temperature	Power (kW)	Control voltage (V)
3RW3026-1BB04	RA/RH	25A	11	24
3RW4026-1BB04	RAB/RHB/30RW	24A	11	/
3RW3025-1AB04		24A	7,5	/
3RW3027-1BB04	RA/RH	32A	15	24
3RW4027-1BB04	RAB/RHB/30RW	32A	15	24
3RW3036-1BB04	RA/RH	38A	18,5	24
3RW4037-1BB04	30RB/RQ	63A	30	24
3RW3346-DEC34		80A		/

Electronics

ELECTRONICS / SPEED VARIATORS



**SIEMENS**  
Speed variators

Fan speed controller 192013-280 (6SE6-- with parameters for 6 poles motor) is used in following cases :  
 Option 28 with Option 15LS for 30RB/RQ  
 Option 28 without Option 119 for 30XA  
 Fan speed controller 192013-281 (6SE6-- with parameters for 8 poles motor) is used in following cases :  
 Option 28 without option 15LS for 30RB/RQ  
 Option 28 with option 119 for 30XA

Ordering Reference
192013.280
192013.281

For other codes, please consult us



## MOTOR MASTER

Speed variators

Ordering Reference	Description
32LT-660---004--C	MOTOR MASTER 208/230V MONO
32LT-660---001--S	32LT SENSOR
32LT-660---005--C	MOTORMASTER 380/400V
32LT-660---006--S	MOTORMASTER 3 PHASES

## ELECTRONICS / SPEED VARIATORS



## VARIFAN

Speed variators

Ordering Reference	Capacity(Kw)	Application	Voltage (Volt)	Description
30GH-422---242--EE	1.5	PRODIALOG & PRODIALOG PLUS 30GH UNITS	400	
30GH-422---532--EE	1.5	PRODIALOG & PRODIALOG PLUS 30GH UNITS	230	
30GH-422---252--EE	1.5	FLOTTRONIC I & II 30G/30H UNITS	400	
30GH-422---262--EE	1.5	FLOTTRONIC I & II 30G/30H UNITS	400	
--OP--12DA-039--EE				HP TRANSDUCER / TRANSDUCTEUR HP
-OP--12DA-040--EE				BP TRANSDUCER / TRANSDUCTEUR LP
--OP--12DA-057--EE				BP-HP TRANSDUCER / TRANSDUCTEUR LP-HP

For other codes, please consult us

[www.carrier-ercd.com](http://www.carrier-ercd.com)



## SCHNEIDER

Speed variators

Ordering Reference	Power (kW)	Maximal current 380V/460V (A)	Current 380V (A)	Current 480V (A)
ATV21HU15N4	1,5	3,7	3,2	2,5
ATV21HU22N4	2,2	5,1	4,6	3,6
ATV21HU30N4	3	7,2	6,2	4,9



## CARRIER

Kit Aquasmart System Manager V3.0

These kits contain:

Touch Pilot: reference 00PSG001347700A

On wall electrical box: reference 00PSG001347800A or,

In wall electrical box: reference 00PSG001347900A

Power supply 230V/24DC : reference 00PSG001350000A

### Ordering Reference

KIT33ASM-01-ONWALL

KIT33ASM-01-INWALL

## CARRIER

SD memory card

Required for upgrade V2 et V3

### Ordering Reference

CARTE-SD1G033ASM

### Capacity

1G0



## CARRIER

### Aquasmart System Manager

Ordering Reference	Description	Language
99QM-803DE-050--EE	AQUASMART SYSTEM MANAGER 32 TC'S VERSION	GERMAN
99QM-803DE-051--EE	AQUASMART SYSTEM MANAGER 64 TC'S VERSION	GERMAN
99QM-803DE-052--EE	AQUASMART SYSTEM MANAGER 128 TC'S VERSION	GERMAN
99QM-803GB-050--EE	AQUASMART SYSTEM MANAGER 32 TC'S VERSION	ENGLISH
99QM-803GB-051--EE	AQUASMART SYSTEM MANAGER 64 TC'S VERSION	ENGLISH
99QM-803GB-052--EE	AQUASMART SYSTEM MANAGER 128 TC'S VERSION	ENGLISH
99QM-803SP-050--EE	AQUASMART SYSTEM MANAGER 32 TC'S VERSION	SPANISH
99QM-803SP-051--EE	AQUASMART SYSTEM MANAGER 64 TC'S VERSION	SPANISH
99QM-803SP-052--EE	AQUASMART SYSTEM MANAGER 128 TC'S VERSION	SPANISH
99QM-803FI-050--EE	AQUASMART SYSTEM MANAGER 32 TC'S VERSION	FINNISH
99QM-803FI-051--EE	AQUASMART SYSTEM MANAGER 64 TC'S VERSION	FINNISH
99QM-803FI-052--EE	AQUASMART SYSTEM MANAGER 128 TC'S VERSION -	FINNISH
99QM-803FR-050--EE	AQUASMART SYSTEM MANAGER 32 TC'S VERSION	FRENCH
99QM-803FR-051--EE	AQUASMART SYSTEM MANAGER 64 TC'S VERSION	FRENCH
99QM-803FR-052--EE	AQUASMART SYSTEM MANAGER 128 TC'S VERSION -	FRENCH
99QM-803GR-050--EE	AQUASMART SYSTEM MANAGER 32 TC'S VERSION	GREECE
99QM-803GR-051--EE	AQUASMART SYSTEM MANAGER 64 TC'S VERSION	GREECE
99QM-803GR-052--EE	AQUASMART SYSTEM MANAGER 128 TC'S VERSION	GREECE
99QM-803NL-050--EE	AQUASMART SYSTEM MANAGER 32 TC'S VERSION	DEUTCH
99QM-803NL-051--EE	AQUASMART SYSTEM MANAGER 64 TC'S VERSION	DEUTCH
99QM-803NL-052--EE	AQUASMART SYSTEM MANAGER 128 TC'S VERSION	DEUTCH
99QM-803IT-050--EE	AQUASMART SYSTEM MANAGER 32 TC'S VERSION	ITALIAN
99QM-803IT-051--EE	AQUASMART SYSTEM MANAGER 64 TC'S VERSION	ITALIAN
99QM-803IT-052--EE	AQUASMART SYSTEM MANAGER 128 TC'S VERSION	ITALIAN
99QM-803PT-050--EE	AQUASMART SYSTEM MANAGER 32 TC'S VERSION	PORTUGUESE
99QM-803PT-051--EE	AQUASMART SYSTEM MANAGER 64 TC'S VERSION	PORTUGUESE
99QM-803PT-052--EE	AQUASMART SYSTEM MANAGER 128 TC'S VERSION	PORTUGUESE
99QM-803SE-050--EE	AQUASMART SYSTEM MANAGER 32 TC'S VERSION	SWEDISH
99QM-803SE-051--EE	AQUASMART SYSTEM MANAGER 64 TC'S VERSION	SWEDISH
99QM-803SE-052--EE	AQUASMART SYSTEM MANAGER 128 TC'S VERSION	SWEDISH

For other codes, please consult us



## CARRIER

Electronic boards

Ordering Reference	Description
CES0110021-00	ELECTRONIC BOARD
CES0110053-00-S	ELECTRONIC BOARD
CES0110059-00-S	ELECTRONIC BOARD
CES0110060-00	ELECTRONIC BOARD
CES0110063-02-S	ELECTRONIC BOARD
CES0110065-01	ELECTRONIC BOARD
CES0121319-01	MODULE - STARTER
CES0110068-02	MODULE
CES0130045	DISPLAY BOARD
CES0110031-00	LOGIC ELECTRONIC BOARD



## CARRIER

Safety valves

Units manufactured from Montluel french factory and stamped with «P» letter in the codification are according with 97/23/CE DESP pressure equipments European Rule (since may 29 2002). These units are equiped with relief valves calculated in conformity with this rule.

### Ordering Reference

00PPG000030800A

CONTACT---US



## CARRIER

Fuses plugs

Ordering Reference	Connection size (inch)	Application	Melting Point (°C)
--EK--02JA-203--C	1/16 NPT	R22	93 TO 99
--EK--02KK-105--C	1/4 NPT	R22	98 À 105
--EK--41JK-101--C	1/4 -1/4 NPT/FLARE	R22	98 À 105
00PPG000018900A	3/8 NPT	R22/R407C/R134A/R410A	95 TO 104



**CARRIER**  
SAE Flare Nuts

Ordering Reference	Connection size (inch)	Copper tube diameter size (inch)
--UA--12AA-101--EE	1/4	1/4
--UA--12AA-102--EE	3/8	3/8
--UA--12AA-105--EE	1/2	1/2
--UA--12AA-106--EE	5/8	5/8

## BRASS FITTINGS / SAE FLARE REDUCING NUTS



**CARRIER**  
SAE Flare reducing nuts

Ordering Reference	Piping diameter size (inch)	Connection size (inch)
--UA--12AA-110--EE	1/4	3/8 SAE FLARE
--UA--12AA-111--EE	1/4	1/2 SAE FLARE
--UA--12AA-112--EE	3/8	1/2 SAE FLARE
--UA--12AA-113--EE	3/8	5/8 SAE FLARE
--UA--12AA-114--EE	1/2	5/8 SAE FLARE
--UA--12AA-115--EE	1/2	3/4 SAE FLARE
--UA--12AA-116--EE	5/8	3/4 SAE FLARE

For other codes, please consult us



## CARRIER

Coupling

Ordering Reference	Connection size (inch)	Type
--UA--12AB-002--EE	1/4 M-SAE FLARE / 1/4 F-NPT	MALE FLARE / FEMALE NPT
--UC--12AA-001--EE	1/4 NPT / 1/4 SAE FLARE	MALE NPT / MALE FLARE
--UC--12AA-002--EE	1/8 NPT / 1/4 SAE FLARE	MALE NPT / MALE FLARE
--UC--12AA-003--EE	1/8 NPT / 3/8 SAE FLARE	MALE NPT / MALE FLARE
--UC--12AA-004--EE	1/4 NPT / 3/8 SAE FLARE	MALE NPT / MALE FLARE
--UC--12AA-005--EE	1/4 NPT / 1/2 SAE FLARE	MALE NPT / MALE FLARE
--UC--12AA-007--EE	3/8 NPT / 1/4 SAE FLARE	MALE NPT / MALE FLARE
--UC--12AA-008--EE	3/8 NPT / 3/8 SAE FLARE	MALE NPT / MALE FLARE
--UC--12AA-009--EE	3/8 NPT / 1/2 SAE FLARE	MALE NPT / MALE FLARE
--UC--12AA-012--EE	1/2 NPT / 1/4 SAE FLARE	MALE NPT / MALE FLARE
--UC--12AA-013--EE	1/2 NPT / 3/8 SAE FLARE	MALE NPT / MALE FLARE
--UC--12AA-014--EE	1/2 NPT / 1/2 SAE FLARE	MALE NPT / MALE FLARE
--UC--12AA-015--EE	1/2 NPT / 5/8 SAE FLARE	MALE NPT / MALE FLARE
--UC--12AA-019--EE	3/4 NPT / 5/8 SAE FLARE	MALE NPT / MALE FLARE
--UC--12AA-020--EE	3/4 NPT / 3/4 SAE FLARE	MALE NPT / MALE FLARE
--UC--12BB-001--EE	1/4	MALE FLARE / FEMALE TO SOLD
--UC--12BB-002--EE	3/8	MALE FLARE / FEMALE TO SOLD
--UC--12BB-003--EE	1/2	MALE FLARE / FEMALE TO SOLD
--UC--12BB-004--EE	5/8	MALE FLARE / FEMALE TO SOLD
--UC--12BB-005--EE	3/4	MALE FLARE / FEMALE TO SOLD
--UC--12BB-006--EE	1	MALE FLARE / FEMALE TO SOLD



## CARRIER

90° Elbows

Ordering Reference	Connection size (inch)	Type
ERCD480500210	ERCD480500210	MALE / MALE FLARE
ERCD480500311	ERCD480500311	MALE / MALE FLARE
ERCD480506169	ERCD480506169	MALE / FEMALE FLARE
ERCD480506573	ERCD480506573	MALE / FEMALE FLARE
ERCD480507179	ERCD480507179	MALE / FEMALE FLARE
--UB--12AA-002--EE	--UB--12AA-002--EE	MALE NPT / MALE FLARE
KAXX1211A	KAXX1211A	MALE NPT / MALE FLARE
--UB--12AA-008--E-	--UB--12AA-008--E-	MALE NPT / MALE FLARE
--UB--12AA-009--EE	--UB--12AA-009--EE	MALE NPT / MALE FLARE

For other codes, please consult us



## CARRIER

### Tees

Ordering Reference	Connection size (inch)	Type
ERCD480302267	3/8 M FLARE / 1/4 M-FLARE / 3/8 M-FLARE	REDUCING TEES SAE FLARE
--UB--12BA-001--EE	1/4 M-FLARE / 1/8 M-NPT 1/4 M-FLARE	MALE FLARE / MALE NPT / MALE FLARE TEES
--UB--12BA-002--EE	1/4 M-FLARE / 1/4 M-NPT 1/4 M-FLARE	MALE FLARE / MALE NPT / MALE FLARE TEES
--UB--12BB-001--EE	1/4 M-FLARE	EQUAL TEES SAE FLARE
--UB--12BD-003--EE	1/4 M-SAE FLARE / 1/4 F-NPT / 1/4 M-SAE FLARE	MALE FLARE / FEMALE NPT / MALE FLARE TEES





## CARRIER

Plugs

Ordering Reference	Connection size (inch)	Type
ERCD480402095	1/8 M-FLARE	MALE SAE FLARE
--UA--12BA-002--EE	3/8 M-FLARE	FEMALE SAE FLARE
--UA--12BA-001--EE	1/4 M-FLARE	FEMALE SAE FLARE
--UA--12BA-003--EE	1/2 M-FLARE	FEMALE SAE FLARE
--UA--12BA-004--EE	5/8 M-FLARE	FEMALE SAE FLARE
--UD--12AA-003--EE	1/8 M-NPT	MALE NPT



**CARRIER**  
Copper seal caps

Ordering Reference	Connection size (inch)
--AH--12MB-002--EE	3/8
--AH--12MB-001--EE	1/4
--AH--12MB-003--EE	1/2
--AH--12MB-004--EE	5/8
--AH--12MB-005--EE	3/4

## BRASS FITTINGS / COPPER GASKETS



**CARRIER**  
Copper gaskets

Ordering Reference	Connection size (inch)
--AH--12MA-002--EE	3/8
--AH--12MA-001--EE	1/4
--AH--12MA-003--EE	1/2
--AH--12MA-004--EE	5/8
--AH--12MA-005--EE	3/4



**CARRIER**  
Female to female

Copper Fittings

Ordering Reference	Connection size (inch)
--UG--12AA-008--EE	1-5/8
--UG--12AA-010--EE	3/16
--UG--12AA-009--EE	1/4
--UG--12AA-002--EE	5/16
--UG--12AA-003--EE	3/8
--UG--12AA-004--EE	1/2
--UG--12AA-005--EE	5/8
--UG--12AA-011--EE	3/4
--UG--12AA-006--EE	7/8
--UG--12AA-012--EE	1
--UG--12AA-007--EE	1-1/8
--UG--12AA-001--EE	1-3/8
--UG--12AA-013--EE	2-1/8
--UG--12AA-014--EE	2-5/8
--UG--12AA-015--EE	3-1/8

For other codes, please consult us



## CARRIER

Female to female reducing copper coupling

Ordering Reference	Connection size (inch)
--UG--12CA-006--EE	3/4 - 1/2
--UG--12CA-025--EE	1/4 - 3/16
--UG--12CA-026--EE	5/16 - 1/4
--UG--12CA-027--EE	3/8 - 5/16
--UG--12CA-001--EE	3/8 - 1/4
--UG--12CA-002--EE	1/2 - 3/8
--UG--12CA-028--EE	1/2 - 5/16
--UG--12CA-029--EE	1/2 - 1/4
--UG--12CA-004--EE	5/8 - 1/2
--UG--12CA-003--E-	5/8 - 3/8
--UG--12CA-007--EE	3/4 - 5/8
--UG--12CA-005--EE	3/4 - 3/8
--UG--12CA-011--EE	7/8 - 3/4
--UG--12CA-010--EE	7/8 - 5/8
--UG--12CA-008--EE	7/8 - 1/2
--UG--12CA-030--EE	7/8 - 3/8
--UG--12CA-016--EE	1-1/8 - 1
--UG--12CA-015--EE	1-1/8 - 7/8
--UG--12CA-014--EE	1-1/8 - 3/4
--UG--12CA-013--EE	1-1/8 - 5/8
--UG--12CA-012--EE	1-1/8 - 1/2
--UG--12CA-020--E-	1-3/8 - 1-1/8
--UG--12CA-019--EE	1-3/8 - 7/8
--UG--12CA-018--EE	1-3/8 - 3/4
--UG--12CA-017--EE	1-3/8 - 5/8
--UG--12CA-031--EE	1-5/8 - 1-3/8
--UG--12CA-032--EE	1-5/8 - 1-1/8
--UG--12CA-021--E-	1-5/8 - 7/8
--UG--12CA-033--EE	1-5/8 - 5/8
--UG--12CA-024--EE	2-1/8 - 1-5/8



## CARRIER

Female to female reducing copper coupling

Ordering Reference	Connection size (inch)
--UG--12CA-023--EE	2-1/8 - 1-3/8
--UG--12CA-022--EE	2-1/8 - 1-1/8
--UG--12CA-034--EE	2-1/8 - 7/8
--UG--12CA-035--EE	2-1/8 - 5/8
--UG--12CA-036--EE	2-5/8 - 2-1/8
--UG--12CA-037--EE	2-5/8 - 1-5/8
--UG--12CA-038--EE	2-5/8 - 1-3/8
--UG--12CA-039--EE	2-5/8 - 1-1/8
--UG--12CA-040--EE	3-1/8 - 2-5/8
--UG--12CA-041--EE	3-1/8 - 2-1/8
--UG--12CA-042--EE	3-1/8 - 1-5/8



## CARRIER

Male to female reducing copper coupling

Ordering Reference	Connection size (inch)
--UG--12BA-003--EE	1/2 - 3/8
--UG--12BA-006--EE	3/8 - 1/4
--UG--12BA-007--EE	1/2 - 1/4
--UG--12BA-004--EE	5/8 - 1/2
--UG--12BA-008--EE	5/8 - 3/8
--UG--12BA-009--EE	3/4 - 5/8
--UG--12BA-010--EE	3/4 - 1/2
--UG--12BA-011--EE	3/4 - 3/8
--UG--12BA-012--EE	7/8 - 3/4
--UG--12BA-005--EE	7/8 - 5/8
--UG--12BA-013--EE	7/8 - 1/2
--UG--12BA-014--EE	7/8 - 3/8
--UG--12BA-002--E-	1-1/8 - 7/8
--UG--12BA-015--EE	1-1/8 - 3/4
--UG--12BA-001--EE	1-1/8 - 5/8
--UG--12BA-016--EE	1-1/8 - 1/2
--UG--12BA-017--EE	1-3/8 - 1-1/8
--UG--12BA-018--E-	1-3/8 - 7/8
--UG--12BA-019--EE	1-3/8 - 5/8
--UG--12BA-020--EE	1-5/8 - 1-3/8
--UG--12BA-021--EE	1-5/8 - 1-1/8
--UG--12BA-022--E-	1-5/8 - 7/8
--UG--12BA-023--EE	1-5/8 - 5/8
--UG--12BA-024--EE	2-1/8 - 1-5/8
--UG--12BA-026--EE	2-1/8 - 1-1/8
--UG--12BA-027--EE	2-1/8 - 7/8
--UG--12BA-028--EE	2-1/8 - 5/8
--UG--12BA-029--EE	2-5/8 - 2-1/8
--UG--12BA-030--EE	2-5/8 - 1-5/8
--UG--12BA-030--EE	2-5/8 - 1-5/8
--UG--12BA-031--EE	2-5/8 - 1-3/8
--UG--12BA-032--EE	2-5/8 - 1-1/8
--UG--12BA-033--EE	3-1/8 - 2-5/8
--UG--12BA-034--EE	3-1/8 - 2-1/8
--UG--12BA-035--EE	3-1/8 - 1-5/8
--UG--12BA-040--EE	3-1/8 - 1-3/8



## CARRIER

45° female to female copper elbows

Copper Fittings

Ordering Reference	Connection size (inch)
--UL--12BA-005--EE	1/2
--UL--12BA-001--EE	3/16
--UL--12BA-002--EE	1/4
--UL--12BA-003--EE	5/16
--UL--12BA-004--EE	3/8
--UL--12BA-007--EE	5/8
--UL--12BA-009--EE	3/4
--UL--12BA-010--EE	7/8
--UL--12BA-012--EE	1
--UL--12BA-013--EE	1-1/8
--UL--12BA-017--EE	1-3/8
--UL--12BA-019--EE	1-5/8
--UL--12BA-015--EE	2-1/8
--UL--12BA-016--EE	2-5/8
--UL--12BA-020--EE	3-1/8

## COPPER FITTINGS / 45° MALE TO FEMALE COPPER ELBOWS



## CARRIER

45° male to female copper elbows

Ordering Reference	Connection size (inch)
--UL--12FA-003--EE	5/8
--UL--12FA-012--EE	1/4
--UL--12FA-001--EE	3/8
--UL--12FA-002--EE	1/2
--UL--12FA-004--EE	3/4
--UL--12FA-005--EE	7/8
--UL--12FA-006--EE	1-1/8
--UL--12FA-007--EE	1-3/8
--UL--12FA-008--EE	1-5/8
--UL--12FA-009--EE	2-1/8
--UL--12FA-010--EE	2-5/8
--UL--12FA-011--EE	3-1/8

For other codes, please consult us





## CARRIER

90° short radius female to female copper elbows

Ordering Reference	Connection size (inch)
--UL--12AA-005--EE	3/4
--UL--12AA-003--EE	3/8
--UL--12AA-001--EE	1/2
--UL--12AA-004--EE	5/8
--UL--12AA-006--EE	7/8
--UL--12AA-009--EE	1-1/8
--UL--12AA-011--EE	1-3/8
--UL--12AA-012--EE	1-5/8
--UL--12AA-008--EE	2-1/8
--UL--12AA-010--EE	2-5/8
--UL--12AA-015--EE	3-1/8

## COPPER FITTINGS / 90° SHORT RADIUS MALE TO FEMALE COPPER ELBOWS



## CARRIER

90° short radius male to female copper elbows

Ordering Reference	Connection size (inch)
W2344FTG	1-1/8
--UL--12CA-013--EE	1/4
--UL--12CA-014--EE	3/8
--UL--12CA-001--EE	1/2
--UL--12CA-002--EE	5/8
--UL--12CA-010--EE	3/4
--UL--12CA-003--EE	7/8
--UL--12CA-005--EE	1-3/8
--UL--12CA-006--EE	1-5/8
--UL--12CA-007--EE	2-1/8
--UL--12CA-008--EE	2-5/8
--UL--12CA-009--EE	3-1/8

For other codes, please consult us

[www.carrier-ercd.com](http://www.carrier-ercd.com)



## CARRIER

90° long radius female to female copper elbows

Ordering Reference	Connection size (inch)
--UL--12AD-005--EE	1/2
--UL--12AD-002--EE	1/4
--UL--12AD-001--EE	5/16
--UL--12AD-004--EE	3/8
--UL--12AD-003--EE	7/16
--UL--12AD-006--EE	5/8
--UL--12AD-007--EE	3/4
--UL--12AD-008--EE	7/8
--UL--12AD-009--EE	1-1/8
--UL--12AD-010--EE	1-3/8
--UL--12AD-011--EE	1-5/8
--UL--12AD-012--EE	2-1/8
--UL--12AD-013--EE	2-5/8
--UL--12AD-014--EE	3-1/8

## COPPER FITTINGS / 90° LONG RADIUS MALE TO FEMALE COPPER ELBOWS



## CARRIER

90° long radius male to female copper elbows

Ordering Reference	Connection size (inch)
--UL--12EA-008--EE	3/4
--UL--12EA-001--EE	1/4
--UL--12EA-002--EE	3/8
--UL--12EA-004--EE	1/2
--UL--12EA-006--EE	5/8
--UL--12EA-009--EE	7/8
--UL--12EA-011--EE	1
--UL--12EA-012--EE	1-1/8
--UL--12EA-014--EE	1-3/8
--UL--12EA-016--EE	1-5/8
--UL--12EA-017--EE	2-1/8
--UL--12EA-018--EE	2-5/8
--UL--12EA-019--EE	3-1/8

For other codes, please consult us



## CARRIER

90° long radius male to female copper elbows

Ordering Reference	Connection size (inch)
--UL--12DA-001--EE	1/2
--UL--12DA-002--EE	1/4
--UL--12DA-003--EE	3/8
--UL--12DA-004--EE	5/8
--UL--12DA-005--EE	3/4
--UL--12DA-006--EE	7/8
--UL--12DA-007--EE	1
--UL--12DA-008--EE	1-1/8
--UL--12DA-009--EE	1-3/8
--UL--12DA-010--E-	1-5/8
--UL--12DA-011--E-	2-1/8
--UL--12DA-012--EE	2-5/8
--UL--12DA-013--EE	3-1/8



**CARRIER**  
Equals copper tees

Ordering Reference	Connection size (inch)
--UH--12AA-002--E-	1/4
--UH--12AA-003--EE	3/16
--UH--12AA-004--EE	5/16
--UH--12AA-005--EE	3/8
--UH--12AA-006--EE	1/2
--UH--12AA-007--E-	5/8
--UH--12AA-008--EE	3/4
--UH--12AA-009--EE	7/8
--UH--12AA-011--EE	1
--UH--12AA-001--E-	1-1/8
--UH--12AA-010--EE	1-3/8
--UH--12AA-012--EE	1-5/8
--UH--12AA-013--EE	2-1/8
--UH--12AA-014--EE	2-5/8
--UH--12AA-015--EE	3-1/8

For other codes, please consult us



# CARRIER

Reducing copper tees

Ordering Reference	Connection size (inch)
--UH--12AB-030--EE	1/2 - 1/4 - 1/2
--UH--12AB-006--EE	1/4 - 1/4 - 3/8
--UH--12AB-116--EE	1/4 - 1/4 - 3/16
--UH--12AB-007--EE	1/4 - 3/16 - 1/4
--UH--12AB-008--EE	5/16 - 5/16 - 3/8
--UH--12AB-009--EE	5/16 - 5/16 - 1/4
--UH--12AB-010--EE	5/16 - 1/4 - 5/16
--UH--12AB-011--EE	5/16 - 1/4 - 1/4
--UH--12AB-001--EE	3/8 - 3/8 - 5/8
--UH--12AB-012--EE	3/8 - 3/8 - 1/2
--UH--12AB-013--EE	3/8 - 3/8 - 5/16
--UH--12AB-014--EE	3/8 - 3/8 - 1/4
--UH--12AB-015--EE	3/8 - 3/8 - 3/16
--UH--12AB-016--EE	3/8 - 5/16 - 3/8
--UH--12AB-017--EE	3/8 - 5/16 - 5/16
--UH--12AB-018--EE	3/8 - 1/4 - 3/8
--UH--12AB-019--EE	3/8 - 1/4 - 1/4
--UH--12AB-117--EE	1/2 - 1/2 - 7/8
--UH--12AB-002--EE	1/2 - 1/2 - 5/8
--UH--12AB-020--EE	1/2 - 1/2 - 3/8
--UH--12AB-118--EE	1/2 - 1/2 - 5/16
--UH--12AB-022--EE	1/2 - 1/2 - 1/4
--UH--12AB-021--EE	1/2 - 1/2 - 3/16
--UH--12AB-023--EE	1/2 - 3/8 - 1/2
--UH--12AB-024--EE	1/2 - 3/8 - 3/8
--UH--12AB-025--EE	1/2 - 3/8 - 1/4
--UH--12AB-026--EE	1/2 - 5/16 - 1/2
--UH--12AB-119--EE	1/2 - 1/4 - 3/8
--UH--12AB-031--EE	1/2 - 1/4 - 1/4
--UH--12AB-120--EE	5/8 - 5/8 - 1-1/8



# CARRIER

Reducing copper tees

Copper Fittings

Ordering Reference	Connection size (inch)
--UH--12AB-032--EE	5/8 - 5/8 - 7/8
--UH--12AB-033--EE	5/8 - 5/8 - 3/4
--UH--12AB-034--EE	5/8 - 5/8 - 1/2
--UH--12AB-035--EE	5/8 - 5/8 - 3/8
--UH--12AB-036--EE	5/8 - 1/2 - 5/8
--UH--12AB-039--EE	5/8 - 1/2 - 1/2
--UH--12AB-040--EE	5/8 - 1/2 - 3/8
--UH--12AB-041--EE	5/8 - 3/8 - 5/8
--UH--12AB-042--EE	5/8 - 3/8 - 1/2
--UH--12AB-004--EE	5/8 - 3/8 - 3/8
--UH--12AB-048--EE	3/4 - 3/4 - 1-1/8
--UH--12AB-047--EE	3/4 - 3/4 - 7/8
--UH--12AB-043--EE	3/4 - 3/4 - 5/8
--UH--12AB-044--EE	3/4 - 3/4 - 1/2
--UH--12AB-045--EE	3/4 - 3/4 - 3/8
--UH--12AB-121--EE	3/4 - 5/8 - 3/4
--UH--12AB-122--EE	3/4 - 5/8 - 5/8
--UH--12AB-123--EE	3/4 - 5/8 - 1/2
--UH--12AB-124--EE	3/4 - 1/2 - 3/4
--UH--12AB-046--EE	3/4 - 1/2 - 5/8
--UH--12AB-125--EE	3/4 - 1/2 - 1/2
--UH--12AB-003--EE	7/8 - 7/8 - 1-1/8
--UH--12AB-049--EE	7/8 - 7/8 - 3/4
--UH--12AB-050--EE	7/8 - 7/8 - 5/8
--UH--12AB-051--EE	7/8 - 7/8 - 1/2
--UH--12AB-052--EE	7/8 - 7/8 - 3/8
--UH--12AB-053--EE	7/8 - 7/8 - 1/4
--UH--12AB-126--EE	7/8 - 3/4 - 7/8
--UH--12AB-127--EE	7/8 - 3/4 - 3/4
--UH--12AB-054--EE	7/8 - 5/8 - 7/8

For other codes, please consult us



# CARRIER

Reducing copper tees

Ordering Reference	Connection size (inch)
--UH--12AB-055--EE	7/8 - 5/8 - 5/8
--UH--12AB-056--EE	7/8 - 5/8 - 1/2
--UH--12AB-057--EE	7/8 - 1/2 - 7/8
--UH--12AB-058--EE	7/8 - 1/2 - 5/8
--UH--12AB-059--EE	7/8 - 1/2 - 1/2
--UH--12AB-060--EE	1-1/8 - 1-1/8 - 1-5/8
--UH--12AB-061--EE	1-1/8 - 1-1/8 - 1-3/8
--UH--12AB-062--E-	1-1/8 - 1-1/8 - 7/8
--UH--12AB-063--EE	1-1/8 - 1-1/8 - 3/4
--UH--12AB-064--EE	1-1/8 - 1-1/8 - 5/8
--UH--12AB-065--EE	1-1/8 - 1-1/8 - 1/2
--UH--12AB-066--EE	1-1/8 - 1-1/8 - 3/8
--UH--12AB-067--E-	1-1/8 - 7/8 - 1-1/8
--UH--12AB-068--EE	1-1/8 - 7/8 - 7/8
--UH--12AB-128--EE	1-1/8 - 7/8 - 3/4
--UH--12AB-069--EE	1-1/8 - 7/8 - 5/8
--UH--12AB-070--EE	1-1/8 - 7/8 - 1/2
--UH--12AB-129--EE	1-1/8 - 3/4 - 1-1/8
--UH--12AB-130--EE	1-1/8 - 3/4 - 3/4
--UH--12AB-071--EE	1-1/8 - 5/8 - 1-1/8
--UH--12AB-072--EE	1-1/8 - 5/8 - 7/8
--UH--12AB-131--EE	1-1/8 - 5/8 - 5/8
--UH--12AB-073--EE	1-3/8 - 1-3/8 - 2-1/8
--UH--12AB-074--EE	1-3/8 - 1-3/8 - 1-5/8
--UH--12AB-075--E-	1-3/8 - 1-3/8 - 1-1/8
--UH--12AB-076--EE	1-3/8 - 1-3/8 - 7/8
--UH--12AB-077--EE	1-3/8 - 1-3/8 - 5/8
--UH--12AB-132--EE	1-3/8 - 1-3/8 - 1/2
--UH--12AB-078--EE	1-3/8 - 1-1/8 - 1-3/8
--UH--12AB-079--EE	1-3/8 - 1-1/8 - 1-1/8





# CARRIER

Reducing copper tees

Copper Fittings

Ordering Reference	Connection size (inch)
--UH--12AB-080--EE	1-3/8 - 1-1/8 - 7/8
--UH--12AB-081--EE	1-3/8 - 1-1/8 - 5/8
--UH--12AB-082--EE	1-3/8 - 7/8 - 1-3/8
--UH--12AB-083--EE	1-3/8 - 7/8 - 1-1/8
--UH--12AB-084--EE	1-3/8 - 7/8 - 7/8
--UH--12AB-133--EE	1-3/8 - 7/8 - 5/8
--UH--12AB-134--EE	1-3/8 - 5/8 - 1-3/8
--UH--12AB-085--EE	1-5/8 - 1-5/8 - 2-1/8
--UH--12AB-086--EE	1-5/8 - 1-5/8 - 1-3/8
--UH--12AB-087--EE	1-5/8 - 1-5/8 - 1-1/8
--UH--12AB-088--EE	1-5/8 - 1-5/8 - 7/8
--UH--12AB-089--EE	1-5/8 - 1-5/8 - 5/8
--UH--12AB-090--EE	1-5/8 - 1-3/8 - 1-5/8
--UH--12AB-091--EE	1-5/8 - 1-3/8 - 1-3/8
--UH--12AB-093--EE	1-5/8 - 1-3/8 - 1-1/8
--UH--12AB-094--EE	1-5/8 - 1-3/8 - 7/8
--UH--12AB-095--EE	1-5/8 - 1-3/8 - 5/8
--UH--12AB-096--EE	1-5/8 - 1-1/8 - 1-5/8
--UH--12AB-097--EE	1-5/8 - 1-1/8 - 1-3/8
--UH--12AB-098--EE	1-5/8 - 1-1/8 - 1-1/8
--UH--12AB-099--EE	1-5/8 - 1-1/8 - 7/8
--UH--12AB-135--EE	1-5/8 - 1-1/8 - 5/8
--UH--12AB-100--EE	1-5/8 - 7/8 - 1-5/8
--UH--12AB-136--EE	1-5/8 - 7/8 - 1-3/8
--UH--12AB-137--EE	1-5/8 - 7/8 - 1-1/8
--UH--12AB-101--EE	1-5/8 - 7/8 - 7/8
--UH--12AB-138--EE	1-5/8 - 7/8 - 5/8
--UH--12AB-139--EE	1-5/8 - 5/8 - 1-5/8
--UH--12AB-140--EE	2-1/8 - 2-1/8 - 2-5/8
--UH--12AB-102--EE	2-1/8 - 2-1/8 - 1-5/8

For other codes, please consult us



# CARRIER

Reducing copper tees

Ordering Reference	Connection size (inch)
--UH--12AB-103--EE	2-1/8 - 2-1/8 - 1-3/8
--UH--12AB-104--EE	2-1/8 - 2-1/8 - 1-1/8
--UH--12AB-105--EE	2-1/8 - 2-1/8 - 7/8
--UH--12AB-106--EE	2-1/8 - 2-1/8 - 5/8
--UH--12AB-107--EE	2-1/8 - 1-5/8 - 2-1/8
--UH--12AB-108--EE	2-1/8 - 1-5/8 - 1-5/8
--UH--12AB-109--EE	2-1/8 - 1-5/8 - 1-3/8
--UH--12AB-110--EE	2-1/8 - 1-5/8 - 1-1/8
--UH--12AB-111--EE	2-1/8 - 1-5/8 - 7/8
--UH--12AB-141--EE	2-1/8 - 1-5/8 - 5/8
--UH--12AB-112--EE	2-1/8 - 1-3/8 - 2-1/8
--UH--12AB-113--EE	2-1/8 - 1-3/8 - 1-5/8
--UH--12AB-114--EE	2-1/8 - 1-3/8 - 1-3/8
--UH--12AB-115--EE	2-1/8 - 1-3/8 - 1-1/8
--UH--12AB-142--EE	2-1/8 - 1-3/8 - 7/8
--UH--12AB-143--EE	2-1/8 - 1-3/8 - 5/8
--UH--12AB-144--EE	2-1/8 - 1-1/8 - 2-1/8
--UH--12AB-145--EE	2-1/8 - 1-1/8 - 1-1/8
--UH--12AB-146--EE	2-1/8 - 7/8 - 2-1/8
--UH--12AB-147--EE	2-1/8 - 5/8 - 2-1/8
--UH--12AB-148--EE	2-5/8 - 2-5/8 - 2-1/8
--UH--12AB-149--EE	2-5/8 - 2-5/8 - 1-5/8
--UH--12AB-150--EE	2-5/8 - 2-5/8 - 1-3/8
--UH--12AB-151--EE	2-5/8 - 2-5/8 - 1-1/8
--UH--12AB-152--EE	2-5/8 - 2-5/8 - 7/8
--UH--12AB-153--EE	2-5/8 - 2-5/8 - 5/8
--UH--12AB-154--EE	2-5/8 - 2-1/8 - 2-5/8
--UH--12AB-155--EE	2-5/8 - 2-1/8 - 2-1/8
--UH--12AB-156--E-	2-5/8 - 2-1/8 - 1-5/8
--UH--12AB-157--EE	2-5/8 - 2-1/8 - 1-3/8



# CARRIER

Reducing copper tees

Ordering Reference	Connection size (inch)
--UH--12AB-158--EE	2-5/8 - 2-1/8 - 1-1/8
--UH--12AB-159--EE	2-5/8 - 2-1/8 - 7/8
--UH--12AB-160--EE	2-5/8 - 2-1/8 - 5/8
--UH--12AB-161--EE	2-5/8 - 1-5/8 - 2-5/8
--UH--12AB-162--EE	2-5/8 - 1-3/8 - 2-5/8
--UH--12AB-163--EE	2-5/8 - 1-1/8 - 2-5/8
--UH--12AB-164--EE	2-5/8 - 7/8 - 2-5/8
--UH--12AB-165--EE	3-1/8 - 3-1/8 - 2-5/8
--UH--12AB-166--EE	3-1/8 - 3-1/8 - 2-1/8
--UH--12AB-167--EE	3-1/8 - 3-1/8 - 1-5/8
--UH--12AB-168--EE	3-1/8 - 3-1/8 - 1-3/8
--UH--12AB-169--EE	3-1/8 - 3-1/8 - 1-1/8
--UH--12AB-170--EE	3-1/8 - 3-1/8 - 7/8
--UH--12AB-171--EE	3-1/8 - 3-1/8 - 5/8
--UH--12AB-172--EE	3-1/8 - 2-5/8 - 3-1/8
--UH--12AB-173--EE	3-1/8 - 2-5/8 - 2-5/8
--UH--12AB-174--EE	3-1/8 - 2-5/8 - 2-1/8
--UH--12AB-175--EE	3-1/8 - 2-1/8 - 3-1/8
--UH--12AB-176--EE	3-1/8 - 2-1/8 - 2-5/8
--UH--12AB-177--EE	3-1/8 - 2-1/8 - 2-1/8
--UH--12AB-178--EE	3-1/8 - 1-5/8 - 3-1/8
--UH--12AB-179--EE	3-1/8 - 1-3/8 - 3-1/8
--UH--12AB-180--EE	3-1/8 - 1-1/8 - 3-1/8
--UH--12AB-181--EE	3-1/8 - 7/8 - 3-1/8

For other codes, please consult us



## CARRIER

Copper bars

Conform to NF EN 12735-1 norm

Ordering Reference	Connection size (inch)	Thickness (millimeter)	Lenght (meter)	Weight (Kgs)
---P-801--0004EE1	1/4	0,8	4	0,5
---P-801--0006EE1	3/8	0,8	4	0,79
---P-801--0008EE1	1/2	1	4	1,32
---P-801--0010EE1	5/8	1	4	1,67
---P-801--0012EE1	3/4	1	4	2,03
---P-801--0014EE1	7/8	1	4	2,39
---P-801--0018EE1	1-1/8	1	4	3,10
---P-801--0022EE1	1-3/8	1,24	4	4,70
---P-801--0026EE1	1-5/8	1,24	4	5,58
---P-801--0034EE1	2-1/8	1,65	4	9,71
---P-801--0042EE1	2-5/8	2,10	4	15,25
---P-801--0080EE1	3-1/8	2,50	4	21,62

## COPPER / NAKED COPPER ROLLS



## CARRIER

Naked copper rolls

Conform to NF EN 12735-1 norm

Ordering Reference	Connection size (inch)	Thickness (millimeter)	Lenght (meter)	Weight (Kgs)
---P-802--0004EE1	1/4	0,80	15	1,87
---P-802--0005EE1	5/16	0,80	15	2,40
---P-802--0006EE1	3/8	0,80	15	2,94
---P-802--0008EE1	1/2	1	15	4,93
---P-802--0010EE1	5/8	1	15	6,27
---P-802--0012EE1	3/4	1	15	7,61
---P-802--0014EE1	7/8	0,89	15	8



## CARRIER

1 tube insulated copper rolls  
M1 Certified

---P-800--0000--EE : adhesive tape (50 meters X 50mm)  
You can tear it up with your hand  
Water and UV protection

Ordering Reference	Connection size (inch)	Thickness (millimeter)	Lenght (meter)
---P-800--0004--EE	1/4	0,8 TO 1	25
---P-800--0006--EE	3/8	0,8 TO 1	25
---P-800--0008--EE	1/2	0,8 TO 1	25
---P-800--0010--EE	5/8	0,8 TO 1	25
---P-800--0012--EE	3/4	0,8 TO 1	25

# COPPER / 2 TUBES INSULATED COPPER ROLLS



## CARRIER

2 tubes insulated copper rolls  
M1 Certified

---P-800--0000--EE : adhesive tape (50 meters X 50mm)  
You can tear it up with your hand  
Water and UV protection

Ordering Reference	Connection size (inch)	Thickness (millimeter)	Lenght (meter)
---P-800--2001--EE	1/4 - 3/8	0,8 TO 1	20
---P-800--2002--EE	1/4 - 1/2	0,8 TO 1	20
---P-800--2003--EE	1/4 - 5/8	0,8 TO 1	20
---P-800--2004--EE	3/8 - 5/8	0,8 TO 1	20
---P-800--2005--EE	3/8 - 1/2	0,8 TO 1	20



## ARMAFLEX

Tube insulation.

-----960--EE1 = exchangers insulation.

Sold per meter (nominal thickness = 19 millimeter, width = 1.50 meter)

---P-904CA-520--EE = Armaflex 520 glue (1 liter) adapted to this kind of insulation

Ordering Reference	Type	Piping diameter size (inch)	Thickness (mm)	Lenght (m) in one box
---P-809MH1027--EE	H-28A	1-1/8	13,5	78
---P-809MH1015--EE	H-015A	5/8	13	136
---P-809MH1017--EE	H-018A	3/4	13	118
---P-809MH1022--EE	H-22A	7/8	13	98
---P-809MH1034--EE	H-35A	1-3/8	14	58
---P-809MH1042--EE	H-42A	1-5/8	14,5	48
---P-809MH1054--EE	H-54A	2-1/8	14,5	34



## COPELAND

COPELAND Compressors oils

Ordering reference	Type	Capacity (L)	APPLICATION
RL32-3MAF-1TTL	ESTER RL32-3MAF	1	R134A, R407C, R410A
RL32-3MAF-5TTL	ESTER RL32-3MAF	5	R134A, R407C, R410A

# OILS / MANEUROP COMPRESSORS OILS



## MANEUROP

MANEUROP Compressors oils

Ordering reference	Type	Capacity (L)	Application	Use
7754024	160SZ	2	R407C - R134A	SZ / SH
7754018	160PZ	2	R407C	MTZ

For other codes, please consult us





## CARRIER

Totaline Mineral Oils

Totaline oils are offering the performance advantages :

- Long lubricant life
- Multi language packaging
- Good miscibility with HFC refrigerants

Ordering reference	Type	Capacity (L)
-----477--EE	MINERAL ENERGOL LPT32	20
-----470EE-1	MINERAL ENERGOL LPT32	5
---P-903AR30020-EE	ENERGOL LPT68	20
-----150-5-TTL	ENERGOL LPT 150	5
-----15020-TTL	ENERGOL LPT 150	20

## OILS / TOTALINE ESTER OILS



## CARRIER

Totaline Ester Oils

Totaline oils are offering the performance advantages :

- Long lubricant life
- Multi language packaging
- Good miscibility with HFC refrigerants

Ordering reference	Type	Capacity (L)
---P-903EAL32-5EE	ESTER SW32	5
---P-903EAL32-20EE	ESTER SW32	20
---P-903EST68-5TL	ESTER 68	5
---P-903EST68-20TL	ESTER 68	20
---P-903SW-100--EE	ESTER SW100	20
---P-903SW-100-5EE	ESTER SW100	5
---P-903SW220-5TTL	ESTER SW220	5
---P-903SW220-20TTL	ESTER SW220	20

MSDS available upon request

For other codes, please consult us

[www.carrier-ercd.com](http://www.carrier-ercd.com)



## VERNOLAB

### Oil Test

Oil test are shipped with identification stickers, addressed envelopes and oil analysis reports. Samples to be sent to laboratory and visualisation of the results on the laboratory website (5 days maximum delay).

Ordering reference	Type	Quantity
TEST-VERNOLAB-EXP	ENGLISH VERSION	10 ANALYSIS
TEST-VERNOLAB-FR	FRENCH VERSION	SOLD INDIVIDUALLY

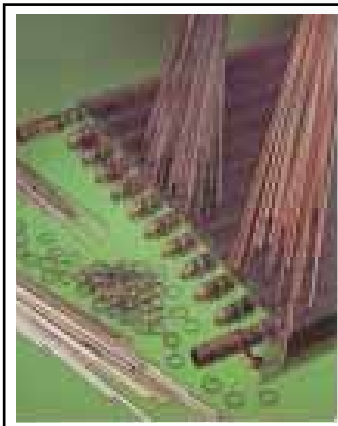
Tests



## PARTS ACIDITY & OIL TESTS

Ordering reference	Type	Description
TT1-001	TOTALINE KIT R22	ALL IN ONE KIT : TOTALTEST + 2 TUBES
TT1-002	TOTALINE KIT R22-R410A	ALL IN ONE KIT : INSTRUMENT + 2 TUBES
TT2-001	TOTALINE TUBES X 6	6 REPLACEMENT TUBES R22
TT2-002	TOTALINE TUBES X 6	6 REPLACEMENT TUBES R410A
AA-UNIVERSAL-KIT	ACID ALERT	ACID ALERT TEST KIT

For other codes, please consult us



## Cooper Phosphorus brazing Rods

For Cooper-Cooper without powder stripper  
 For brass & bronze, necessity to use powder stripper ( SuperFlux reference DSPFPO)  
 Range of fusion following norm EN ISO 1044/1999  
 For specific needs consult us

Code	% Silver	Range of fusion °C	Diameter in mm	Packing in Kg
100B	0%	710 - 820	2	1
102B	2%	645 - 820	2	1
105B	5%	645 - 815	2	1
115B	15%	650 - 800	2	1

Use powder stripper reference DSPFPO when necessary



## Coated Silver brazing alloy

For cooper-cooper / steal-steel  
 Range of fusion following norm EN ISO 1044/ 1999  
 Cadmium Free  
 Thin, flexible & sold coating without odors & residue  
 For specific needs consult us

Code	% Silver	Range of fusion in °C	Diameter in mm	Packing in Kg
520SIES	20%	776 - 815	2	0,5
534SNES	34%	630 - 730	2	0,5
540SNES	40%	650 - 710	2	0,5
545SNES	45%	640 - 680	2	0,5

For other codes, please consult us

[www.carrier-ercd.com](http://www.carrier-ercd.com)



# REFRIGERANT RECOVERY UNIT



Tools

## BENEFITS & FEATURES :

- Recovers all commonly used CFC, HCFC, including R410A
- Oil-less compressor
- Economical recovery workhorse
- Compact & light weight
- 500 psi high pressure safety Cut-Off switch
- Oil-filled pressure gauge
- Easy to Use
- Self purge valves
- Corrosion proff & durable molded case
- Accessories included : Filter drier, connection hose, power supply plug

## TREC-05002A

REFRIGERANT CLASS			
Cat.III	Cat. IV	Cat. V	
R-12	R-22	R-402A	
R-134A	R-401A	R-404A	
R-401C	R-401B	R-407A	
R-406C	R-402B	R-407B	
R-500	R-407C	R-410A	
	R-407D	R-507	
	R-408A		
	R-409A		
	R-411A		
	R-412A		
	R-502		
	R-R09		

MODEL	TREC-05002A		
MOTOR	1/2 HP		
POWER	220-240V 50HZ		
MAX CURRENT	4 A		
MOTOR SPEED	1450 RPM		
COMPRESSOR	OIL-LESS, AIR COOLED, PISTON STYLE		
HIGH PRESSURE CUT-OFF	38.5 BAR (558 PSI)		
REFRIGERANT CLASS	CAT.III	CAT. IV	CAT. V
VAPOR RECOVERY RATE (KG/MIN)	0.23	0.25	0.26
LIQUID RECOVERY RATE (KG/MIN)	1.57	1.81	1.85
PUSH/PULL RECOVERY RATE (KG/MIN)	4.64	5.57	6.22
OPERATING TEMPERATURE	0°C - 40°C		
DIMENSIONS (LXWXH)	500 X 220 X 340 MM		
NET WEIGHT	16 KG		

For other codes, please consult us



VACUUM PUMPS



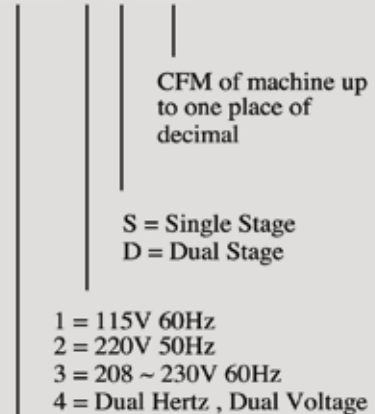
BENEFITS & FEATURES :

- Standard Flow Rates : 1,5CFM - 12 CFM
- Portability : small design, easy to carry & use
- Security : thermal protection in the motor
- Reliability : force-feed lubrication for more reliability
- Suitable for all voltage



**Model Nomenclature**

**TVAC X X XXX**



TVAC  
Totaline Vacuum Pump



# MODELS & SPECIFICATIONS

## Single Voltage

1.5CFM~3CFM



Part No.	Unit	TVAC2D015	TVAC3D018	TVAC2D025	TVAC3D030
Frequency	Hz	50	60	50	60
Flow Rate	CFM	1.5	1.8	2.5	3
	l/min	42	50	70	84
Ultimate Vacuum	Pa	3 x10 <sup>-1</sup>		3 x10 <sup>-1</sup>	
	microns	25		25	
Stage		2		2	
Power	HP	1/4		1/3	
Inlet Port	Flare	1/4"		1/4"	
Oil Capacity	ml	200		250	
Dimensions	mm	308 x 124 x 230		315 x 124 x 240	
Weight	kg	7.5		8.6	

3.5CFM~5CFM



Part No.	Unit	TVAC2D035	TVAC3D040	TVAC2D045	TVAC3D050
Frequency	Hz	50	60	50	60
Flow Rate	CFM	3.5	4	4.5	5
	l/min	100	114	128	142
Ultimate Vacuum	Pa	3 x10 <sup>-1</sup>		3 x10 <sup>-1</sup>	
	microns	25		25	
Stage		2		2	
Power	HP	1/3		1/2	
Inlet Port	Flare	1/4" & 3/8"		1/4" & 3/8"	
Oil Capacity	ml	350		330	
Dimensions	mm	335 x 138 x 250		335 x 138 x 250	
Weight	kg	11.2		11.4	

6CFM~12CFM



Part No.	Unit	TVAC2D060	TVAC3D070	TVAC2D080	TVAC3D090	TVAC2D100	TVAC3D120
Frequency	Hz	50	60	50	60	50	60
Flow Rate	CFM	6	7	8	9	10	12
	l/min	170	198	226	254	283	340
Ultimate Vacuum	Pa	3 x10 <sup>-1</sup>		3 x10 <sup>-1</sup>		3 x10 <sup>-1</sup>	
	microns	25		25		25	
Stage		2		2		2	
Power	HP	3/4		1		1	
Inlet Port	Flare	1/4" & 3/8"		1/4" & 3/8"		1/4" & 3/8"	
Oil Capacity	ml	700		590		590	
Dimensions	mm	400 x 145 x 270		400 x 145 x 270		400 x 145 x 270	
Weight	kg	16.5		16.7		16.7	

## Dual Voltage



Part No.	Unit	TVAC4D015		TVAC4D025		TVAC4D035		TVAC4D045	
Frequency	Hz	50	60	50	60	50	60	50	60
Flow Rate	CFM	1.5	1.8	2.5	3	3.5	4	4.5	5
	l/min	42	50	70	84	100	114	128	142
Ultimate Vacuum	Pa	3 x10 <sup>-1</sup>		3 x10 <sup>-1</sup>		3 x10 <sup>-1</sup>		3 x10 <sup>-1</sup>	
	microns	25		25		25		25	
Stage		2		2		2		2	
Power	HP	1/4		1/3		1/3		1/2	
Inlet Port	Flare	1/4"		1/4"		1/4" & 3/8"		1/4" & 3/8"	
Oil Capacity	ml	200		250		350		330	
Dimensions	mm	308 x 124 x 230		315 x 124 x 240		335 x 138 x250		335 x 138 x 250	
Weight	kg	8.4		8.6		11.2		11.4	



Part No.	Unit	TVAC4D060		TVAC4D080		TVAC4D100	
Frequency	Hz	50	60	50	60	50	60
Flow Rate	CFM	6	7	8	9	10	12
	l/min	170	198	226	254	283	340
Ultimate Vacuum	Pa	3 x10 <sup>-1</sup>		3 x10 <sup>-1</sup>		3 x10 <sup>-1</sup>	
	microns	25		25		25	
Stage		2		2		2	
Power	HP	3/4		1		1	
Inlet Port	Flare	1/4" & 3/8"		1/4" & 3/8"		1/4" & 3/8"	
Oil Capacity	ml	700		590		590	
Dimensions	mm	400 x 145 x 270		400 x 145 x 270		400 x 145 x 270	
Weight	kg	16.5		16.7		16.7	

## Model Nomenclature



TVAC X X XXX



CFM of machine up to one place of decimal

S = Single Stage  
D = Dual Stage

1 = 115V 60Hz  
2 = 220V 50Hz  
3 = 208 ~ 230V 60Hz  
4 = Dual Hertz , Dual Voltage

TVAC  
Totaline Vacuum Pump

	<h3>TUBE CUTTER VTool by TOTALINE</h3>
	
<p>Ref VT-127      Ref VT-274</p>	<p>Ref : VT-127      For tube diameter 1/8 ~ 5/8 O.D.                  Ref : VT-274      For tube diameter 1/8 ~ 1-1/8 O.D.                  Ref : VT-312      For tube diameter 1/4 ~ 1-5/8 O.D.</p>

	<h3>TUBE BENDERS VTool by TOTALINE</h3>
	
<p>Ref VT-368-180      Ref VT-364-06</p>	<p>Ref : VT-368-180      For tube diameter 1/4 - 5/16 - 3/8 - 3/4 - 1 - 180°                  Ref : VT-364-06      For tube diameter 3/8 O.D.                  Ref : VT-364-08      For tube diameter 1/2 O.D.                  Ref : VT-364-10      For tube diameter 5/8 O.D.</p>





TUBING TOOLS KIT VTool by TOTALINE

Ref : VT-275L



FLARING TOOL VTool by TOTALINE

Ref : VT-195



### Charging Scales

Electronic charging scale with LCD display  
 Compact & light-weight (2.5kg)  
 Programmable & field-calibratable  
 Supplied in a carrying pouch  
 Capacity : 100 kg  
 Resolution : 2 g

Ref : Ref-Meter



### Compact Charging Scales

Electronic charging scale with LCD display  
 Easy to carry & storage  
 Supplied in a carrying pouch  
 Capacity : 100 kg  
 Resolution :  $\pm 10g$  at 25°C

Ref : TIF9030



### TOTALINE DIGITAL MULTIMETER

	Range	Accuracy
DC VOLTAGE	200MV/2V/200V/600V	±5% ~ ±8%
AC VOLTAGE	200V/600V	±1.2%
DC CURRENT	2000A/2MA/20MA/200MA/10A	±1.0% ~ ±3.0%
RESISTANCE	200Ω/2KΩ/20KΩ/200KΩ/2MΩ	±0.8% ~ ±1.0%

Special Functions	MT-DMM830L	MT-DMM38
TEMP (-20°C ~ 1000°C)		√
DATA HOLD	√	√
DIODE TEST	√	√
BUZZER	√	√
TRANSISTOR HFE TEST	√	√
BACK LIGHT	√	



### TOTALINE DIGITAL MULTIMETER

Reference : MT-DMM38

Power : 6x1.5v

LCD size : 64x42

Standard accessories : Interface cable, Test lead, Manual, Battery

Special functions : Measure, Diode test, Duty cycle, Back light

	Range	Accuracy
DV VOLTAGE	50MV/500MV/5V/50V/500V/1000V	± (0.5% +40)
AC VOLTAGE	50MV/500MV/5V/50V/500V/1000V	± (0.03% +10)
DC CURRENT	5000A/50000A/50MA/5A/10A	± (0.75% +20)
AC CURRENT	5000A/50000A/50MA/5A/10A	±(0.15% +15)
RESISTANCE	500Ω/5KΩ/50KΩ/500KΩ/5MΩ	(±0.1% +10)
CAPACITANCE	50NF/500NF/50F/500F	(±1% +8)
LINE FREQUENCY	5HZ ~ 200KHZ	± (0.006% +4)
PULSE FREQUENCY	5HZ ~ 2MHZ	± (0.006% +4)
DUTY CYCLE	5% ~ 95%	± (2% +5)
DIODE	0 ~ 2.5V	± (1% +8)

For other codes, please consult us



### TOTALINE DIGITAL MULTIMETER

Reference : MT-DMM20B

Specifications	
DC VOLTAGE	50MV/500MV/5V/50V/500V/1000V
AC VOLTAGE	50MV/500MV/5V/50V/500V/1000V
DC CURRENT	5000A/50000A/50MA/5A/10A
AC CURRENT	5000A/50000A/50MA/5A/10A
RESISTANCE	500Ω/5KΩ/50KΩ/500KΩ/5MΩ
CAPACITANCE	50NF/500NF/50F/500F
TEMPERATURE	5HZ ~ 200KHZ
FREQUENCY	5HZ ~ 2MHZ



### TOTALINE DIGITAL THERMOMETER

Reference : MT-DTH6501

Specifications	
DISPLAY	1999 COUNTS
INPUT	K TYPE THERMOCOUPLE
DATA HOLD	YES
RESOLUTION	1°C / 1°F
CENTIGRADE	-40°C ±6° / -20°C ±5° / 0-500°C ±0.75%
POWER	9V
SIZE	125.5 X 72 X 27MM
WEIGHT	145G INCLUDING BATTERY

**TOTALINE**

®



## TOTALINE INFRARED THERMOMETER

Reference : MT-ITH6520

- Single dot laser targeting, back light
- Ambient temperature measurement
- Display selection
- MAX, MIN, AVG value selectable
- Hold function
- Low battery indication

	Specifications
MEASUREMENT RANGE	-50°C ~ 500°C
TAMB MEASUREMENT	0°C ~ 50°C
OVER RANGE INDICATION	«OL»
FIELD OF VIEW	8 : 1
TARGET TYPICAL DISTANCE	1.5 METER
EMISSIVITY	0.95
AUTO POWER OFF	20 SECONDS



## TOTALINE INFRARED THERMOMETER

Reference : MT-ITH6530

- Laser-On indicator / Holding indicator / Low power indicator
- First temp display / Average temp display / 2nd temp display
- Max/Min indicator

	Specifications
MEASUREMENT RANGE	-20°C ~ 50°C ±2.5°C 50°C ~ 537°C ±(1%+1°C)
EMISSIVITY	0.95
RESOLUTION	0.3°C
DISTANCE SPOT RATIO	12 : 1
SPECTRAL RESPONSE	8 - 14 μM
EMISSITRY	0.95
ALARM TEMP RANGE	30°C ~ 535°C

For other codes, please consult us



**TOTALINE CLAMP METER**  
Reference : MT-CLM310 // MT-CLM310C

	Range	Accuracy
DC VOLTAGE	1000V	±(1%+2)
AC VOLTAGE	750V	±(1%+2)
AC CURRENT	200MA/20A/1000A	±(2%+5)
RESISTANCE	200Ω/2KΩ	±(1%+3)
TEMPERATURE	-40°C ~ 750°C	±(1%+3) ONLY FOR MT-CLM310C

Special Functions	MT-CLM310	MT-CLM310C
DIODE TEST	√	√
BACK LIGHT	√	√
CONTINUITY BUZZER	√	√
MAX DISPLAY	1999	1999



**TOTALINE CLAMP METER**  
Reference : MT-CLM266C

Specifications :

Special Functions	MT-CLM266C
DC VOLTAGE	0.2/2/20/200V ±0.5%
AC VOLTAGE	200V ±1%, 750V ±1.2%
AC CURRENT	20-400A ±3%, 1000A ±3%
RESISTANCE	200Ω/20KΩ, 2MΩ ±3%
TEMPERATURE	0°C ~ 400°C ±3% 400°C ~ 750°C ±3%
DATA HOLD	√
DIMENSIONS	70X230X37MM
WEIGHT	310G





### TOTALINE PHASE DETECTOR

Reference : MT-PHD5710

Accessories included :  
 Carrying case  
 Instruction manual  
 Fuse

	Specifications
VOLTAGE RANGE	110V ~ 480V
TEST TIME	110V : CONTINUANCE 220V : 30 MINUTES 480V 4 MINTUTES
FREQUENCY RESPONSE	40 ~ 70 HZ
DIELECTRIC STRENGTH	2000 VAC FOR 1 MINUTE
INSULATION RESISTANCE	≥ 100 MΩ
CLIPS LEADS LENGTH	1.2 METER
WEIGHT	280G



### TOTALINE ULTRASOUND DISTANCE Meter

Reference : MT-UDM6450

Measure distance, height, area, volume fast & easily

	Specifications
MEASUREMENT RANGE	0.6 ~ 15 M
ACCURACY	±0.5% ±2 DIGIT
RESOLUTION	0.01M
APERTURE ANGLE	APPROX ±5°
LASER TYPE	630 ~ 650 NM
LASER POWER	1MW
WEIGHT	150G





**TOTALINE THERMOCOUPLE CALIBRATOR**  
Reference : MT-TCC710

Measure & simulate Thermocouple

	Specifications
THERMOCOUPLE	TYPE J/K/T/E/R/S/B/N
RANGE	-10MV ~ 75MV
RESOLUTION	0.01MV
ACCURACY	±(0.025% +1 COUNT)
POWER	6 X 1.5V



## LA JUSTE PRESSION

Gauges

Tools

Ordering Reference	Application	Use	Graduations scale (bar)	Red line limit (bar)	Gauge diameter	Coupling type	Coupling diameter
--DN--12AB-003--EE	R12	/	18	/	80	SAE	1/4
--DN--12AC-001--EE	R502	SUCTION	8	/	80	SAE	1/4
--DN--12AC-002--EE	R502	DISCHARGE	30	25	80	SAE	1/4
--DN--12AD-004--EE	R500	DISCHARGE	30	23	80	SAE	1/4
--DN--12CA-001--EE	R22	BP	16	/	80	SAE	1/4
--DN--12CA-002--EE	R22	HP	30	21	80	SAE	1/4
--DN--12CA-003--EE	R22	DISCHARGE	32	/	80	SAE	1/4
--DN--12DA-001--EE	R22	BP	32	17,1	80	SAE	1/4
--DN--12DA-002--EE	R22	HP	32	25	80	SAE	1/4
--DN--12DB-002--EE	R134A/R22	BP	30	16	80	SAE	1/4
--DN--12DB-003--EE	R134A/R22	BP	30	18	80	SAE	1/4
--DN--12DB-010--EE	R134A/R22	HP	45	30	80	SAE	1/4
--DN--12EA-009--EE	R22	HP	4 MPA	/	80	SAE	1/4
--DN--12EA-010--EE	R22	BP	1,6 MPA	/	80	SAE	1/4
--DN--12EA-016--EE	R22	/	30	/	80	SAE	1/4
--DN--12EA-017--EE	R22	/	45	/	80	SAE	1/4

For other codes, please consult us



**WIKA**  
Gauges

Ordering Reference	Application	Use	Graduations scale (bar)	Red line limit (bar)	Gauge diameter	Coupling type	Coupling diameter
--DN--12DC-001--EE	R22	BP	30	14	63	BACK	7/16-20 UNF
--DN--12DC-003--EE	R22	BP	30	18	63	BACK	7/16-20UNF
--DN--12DC-004--EE	R22	BP	30	16,8	63	BACK	7/16-20UNF
--DN--12DC-005--EE	R22	HP	45	30	63	BACK	7/16-20UNF
--DN--12DC-008--EE	R22	HP	45	24,5	63	BACK	7/16-20UNF
--DN--12DC-009--EE	R134A	HP-BP	30	14	63	BACK	7/16-20UNF
--DN--12DC-010--EE	R134A	BP	30	16	63	BACK	7/16-20UNF
--DN--12DC-011--EE	R134A	HP	45	30	63	BACK	7/16-20UNF
--DN--12DC-012--E-	R134A	HP	45	24,5	63	BACK	7/16-20UNF
--DN--12DC-015--EE	R407C	BP	30	14,5	63	BACK	7/16-20UNF
--DN--12DC-016--EE	R407C	HP	45	30	63	BACK	7/16-20UNF
--DN--12DC-018--EE	R407C	BP	30	16	63	BACK	7/16-20UNF
--DN--12DC-019--EE	R407C	BP	30	17,4	63	BACK	7/16-20UNF
--DN--12DC-021--EE	R407C	HP	45	24,5	63	BACK	7/16-20UNF
--DN--12DC-023--EE	R134A	HP	45	12,7	63	BACK	7/16-20UNF
--DN--12DC-025--EE	R134A	BP	30	17	63	BACK	7/16-20UNF
--DN--12DC-027--EE	R407C	BP	30	19	63	BACK	7/16-20UNF
--DN--12DC-028--EE	R22	BP	30	19	63	BACK	7/16-20UNF
--DN--12DD-025--EE	R22-R137A/R407C	/	45	25	63	BACK	7/16-20UNF
--DN--12EA-037--EE	R22	/	/	24,5	63	BACK	7/16-20UNF
--DN--12EA-052--EE	/	/	/	/	63	VERTICAL	G1/4B



## CARRIER

Fin combs

### Ordering Reference

--PA--1---001--EE

---P-167--0017--S

---P-167--0001--S

### Description

SET OF 6 PLASTIC COMB

SET OF 3 FINS COMBS

FIN COMB HANDLE

Tools

## TOOLS / PAINT SPRAYS



## CARRIER

Paint sprays

### Ordering Reference

-----627--EE

BLANC 9010

--PH--12PB-001--EE

--PH--12PE-001--EE

--PH--12PF-001--EE

--PH--12PG-001--EE

--PH--12PJ-001--EE

--PH--23GH-017--S

--PH--23GH-020--S

--PH--23GL-012--S

--PH--23PE-023--S

### Capacity (L)

NC

0,4

0,4

0,4

0,4

0,4

0,4

0,4

0,4

0,4

0,4

### Color

ANTI RUST - GREEN

WHITE 9010

BLUE 5012

GREY 9007

LIGHT GREY 7035

GREY 7037

GREEN EDF-AFNOR

GREEN (US)

PÂLE GREEN (US)

GREEN (US)

BEIGE (US)



## CARRIER

Cooler and condenser brushes

Ordering Reference	Brush diameter size (inch)	Brush lenght (mm)
--KC--21AH-151--S	1/2	63,5
--KC--21AH-005--S	5/8	63,5
--KC--21AH-105--S	3/4	63,5

00000000000025421.....	163	00PPG000031200D.....	100	00PPG000464202A.....	114	0150711X62.....	135
00000000000025507.....	163	00PPG000031300D.....	100	00PPG000465701A.....	114	0150711X63.....	135
00000000000025508.....	163	00PPG000031400D.....	100	00PPG000465702A.....	114	0150711X64.....	135
00000000000025509.....	163	00PPG000031500D.....	100	00PPG000465703A.....	114	0150711X82.....	141
00000000000028908.....	172	00PPG000031600D.....	100	00PPG000466201A.....	132	0150711X83.....	141
00000000000028910.....	172	00PPG000031700D.....	100	00PPG000466202A.....	132	0150711X84.....	141
00000000000028912.....	172	00PPG000031800D.....	100	00PPG000466203A.....	132	0150711X85.....	135
00000000000031102.....	172	00PPG000032000D.....	104	00PPG000466503A.....	118	0150711X86.....	135
000000000000801162.....	79	00PPG000032100D.....	104	00PPG000466504A.....	118	0150722X03.....	141
000000000000801163.....	79	00PPG000032200D.....	104	00PPG000467400A.....	78	0150722X04.....	141
0000000000006110282.....	166	00PPG000032300D.....	104	00PPG000469501A.....	106	0150722X05.....	141
000000000013875201.....	138	00PPG000032400D.....	104	00PPG000470301A.....	153	0150722X06.....	141
000000000013879904.....	138	00PPG000032500D.....	104	00PPG000470302A.....	153	0150722X16.....	141
000000000014720017.....	138	00PPG000032600D.....	104	00PPG000470303A.....	153	0150722X19.....	141
000000000096401990.....	102	00PPG000032700D.....	104	00PPG000470304A.....	153	0150722X20.....	141
000000000200002532.....	142	00PPG000445000A.....	133	00PPG000470305A.....	153	0150722X21.....	141
000000000200002534.....	142	00PPG000445501A.....	118	00PPG000470306A.....	153	0170701H13.....	107
000000000200004585.....	139	00PPG000445502A.....	118	00PPG000470307A.....	153	0170701H14.....	107
000000000200004651.....	138	00PPG000445503A.....	118	00PPG000470500A.....	153	0170701H15.....	107
000000000200004652.....	138	00PPG000445504A.....	118	00PPG000470600A.....	153	023Z0031.....	132
000000000200013378.....	138	00PPG000445600A.....	78	00PPG000470700A.....	153	023Z4589.....	132
000000000200013379.....	139	00PPG000446703A.....	63	00PPG000470800A.....	153	0351501H44.....	184
000000000200032976.....	142	00PPG000452201A.....	71	00PPG000470903A.....	14	0351501H50.....	184
000000000200032977.....	142	00PPG000452501A.....	128	00PPG000470903A.....	17	0351501H54.....	184
000000000200032978.....	142	00PPG000452502A.....	128	00PPG000470903A.....	18	0351501H59.....	184
000000000200032979.....	142	00PPG000457100A.....	63	00PPG000471003A.....	14	0351501H60.....	184
000000000200046888.....	142	00PPG000457600A.....	102	00PPG000471003A.....	17	0351501H65.....	184
000000000200046889.....	142	00PPG000457700A.....	102	00PPG000471003A.....	18	0351501H66.....	184
000000000200046890.....	142	00PPG000457800A.....	102	00PPG000471400A.....	107	0351801X83.....	178
000000000200046891.....	142	00PPG000457900A.....	102	00PPG000471901A.....	114	0351802X47.....	178
000000000200046892.....	142	00PPG000458001A.....	114	00PPG000471902A.....	114	0351804H56.....	178
000000000200046893.....	142	00PPG000458002A.....	114	00PPG000471903A.....	114	0351804H58.....	178
000000000200046894.....	142	00PPG000458201A.....	114	00PPG000471904A.....	114	0351901H44.....	174
000000000200046895.....	142	00PPG000458202A.....	114	00PPG000471905A.....	114	0351901H50.....	174
00PPG000003301A.....	113	00PPG000458203A.....	114	00PPG000471906A.....	114	0351901X29.....	174
00PPG000003302A.....	113	00PPG000458204A.....	114	00PPG000472701A.....	78	0351901X41.....	174
00PPG000003303A.....	113	00PPG000458206A.....	114	00PPG000472900A.....	107	0351901X43.....	174
00PPG000004000D.....	100	00PPG000459200A.....	22	00PPG000480501A.....	116	0351901X46.....	174
00PPG000005100D.....	104	00PPG000459300A.....	21	00PPG000480502A.....	116	0352015X29.....	89
00PPG000005200D.....	104	00PPG000459300A.....	22	00PPG000480503A.....	116	0352015X39.....	89
00PPG000005300D.....	104	00PPG000459400A.....	21	00PSG000057400.....	124	0352015X43.....	89
00PPG000005600D.....	104	00PPG000459400A.....	22	00PSG000057500.....	124	0352015X58.....	89
00PPG000005800D.....	104	00PPG000459500A.....	21	00PSG000072300A.....	194	0352015X59.....	89
00PPG000006800C.....	70	00PPG000459500A.....	22	00PSG000072400A.....	194	0352015X68.....	89
00PPG000006900.....	70	00PPG000459600A.....	21	00PSG000072500A.....	194	0352015X69.....	89
00PPG000007000.....	70	00PPG000459600A.....	22	00PSG0000281600A.....	195	0352015X74.....	89
00PPG000007100.....	70	00PPG000460200A.....	63	00PSG0000469000A.....	195	0352207X15.....	144
00PPG000007301A.....	113	00PPG000460300A.....	63	00PSG0000511900A.....	124	0353101H05.....	180
00PPG000007401A.....	113	00PPG000460400A.....	63	00PSG0000637000A.....	101	0353101H07.....	180
00PPG000008502A.....	78	00PPG000460801A.....	114	00PSG0000766800A.....	48	0353101H07.....	182
00PPG000008504A.....	78	00PPG000460802A.....	114	00PSG001103800A.....	191	0353101H17.....	182
00PPG000011400A.....	122	00PPG000461001A.....	114	00PSG001283300D.....	174	0353101H19.....	182
00PPG000011701A.....	48	00PPG000461002A.....	114	0150106H01.....	110	0353101H20.....	180
00PPG000011702A.....	48	00PPG000461003A.....	114	0150404H40.....	75	0353101H20.....	182
00PPG000012000A.....	195	00PPG000461400A.....	20	0150404H41.....	74	0353101H21.....	180
00PPG000012100A.....	195	00PPG000461400A.....	22	0150404H42.....	74	0353101H21.....	182
00PPG000012100A.....	195	00PPG000461500A.....	20	0150404H43.....	75	0353101H25.....	180
00PPG000012500A.....	72	00PPG000461500A.....	22	0150404H59.....	74	0353101H25.....	182
00PPG000012600A.....	72	00PPG000461600A.....	20	0150404H60.....	73	0353101H34.....	180
00PPG000012800A.....	121	00PPG000461600A.....	22	0150404H62.....	75	0353101H53.....	180
00PPG000017400B.....	76	00PPG000461700A.....	20	0150404H63.....	75	0353101H59.....	182
00PPG000017500B.....	76	00PPG000461700A.....	22	0150404H83.....	74	0353101H86.....	179
00PPG000017600A.....	76	00PPG000461800A.....	20	0150404H89.....	75	0353101H86.....	182
00PPG000017700B.....	76	00PPG000461800A.....	22	0150404H90.....	75	0353101X04.....	180
00PPG000018900A.....	203	00PPG000461900A.....	20	0150404H91.....	75	0353101X11.....	180
00PPG000023501A.....	71	00PPG000461900A.....	22	0150404H92.....	75	0353101X13.....	180
00PPG000023502A.....	71	00PPG000462001A.....	132	0150404H97.....	74	0353101X16.....	182
00PPG000023503A.....	71	00PPG000462002A.....	132	0150404X32.....	75	0353101X30.....	180
00PPG000023600A.....	74	00PPG000462003A.....	132	0150404X33.....	74	0353101X31.....	181
00PPG000023800A.....	74	00PPG000462004A.....	132	0150404X34.....	75	0353101X32.....	180
00PPG000030401A.....	70	00PPG000462005A.....	132	0150404X58.....	74	0353101X44.....	181
00PPG000030402A.....	70	00PPG000462101A.....	132	0150404X61.....	73	0353101X50.....	179
00PPG000030403A.....	70	00PPG000462102A.....	132	0150404X64.....	74	0353101X52.....	180
00PPG000030404A.....	70	00PPG000462103A.....	132	0150408H48.....	69	0353101X56.....	180
00PPG000030405A.....	70	00PPG000462200A.....	63	0150408H49.....	69	0353101X62.....	182
00PPG000030406A.....	70	00PPG000462300A.....	63	0150412X32.....	77	0353101X63.....	180
00PPG000030500A.....	107	00PPG000463401A.....	114	0150412X46.....	77	0353101X64.....	181
00PPG000030600A.....	194	00PPG000463402A.....	114	0150425H07.....	73	0353101X65.....	182
00PPG000030700A.....	194	00PPG000463403A.....	114	0150425H08.....	73	0353101X73.....	180
00PPG000030800A.....	109	00PPG000463404A.....	114	0150425H09.....	73	0353101X76.....	180
00PPG000030801A.....	109	00PPG000463405A.....	114	0150425H23.....	74	0353101X80.....	181
00PPG000030804A.....	109	00PPG000463406A.....	114	0150425H24.....	74	0353101X89.....	179
00PPG000031100D.....	100	00PPG000464201A.....	114	0150711X61.....	135	0353102H20.....	179

In consequence of standards and material evolution, the specifications published on this catalogue are indicative only and commits us only after confirmation by our services. Photos for illustration only



0353102X02.....	179	06DA5372BA-065A-S.....	32	06EA-660---079--C.....	40	06NA-660---026--S.....	45
0353102X03.....	179	06DA-660---056--S.....	34	06EA-660---085--S.....	40	06NA-660---027--S.....	45
0353102X08.....	179	06DA-660---057--C.....	34	06EA-660---086--S.....	40	06NA-660---028--S.....	45
0353102X09.....	179	06DA-660---058--S.....	34	06EA-660---089--S.....	40	06NA-660---032--S.....	45
0353102X13.....	181	06DA-660---061--S.....	34	06EA-660---090--S.....	34	06NA-660---036--S.....	45
0353102X14.....	181	06DA-660---062--S.....	34	06EA-660---090--S.....	40	06NA-660---037--S.....	45
0353102X15.....	179	06DA-660---064--C.....	34	06EA-660---091--S.....	40	06NA-660---038--S.....	45
0353103H03.....	180	06DA-660---064--C.....	40	06EA-660---100--C.....	40	06NA-660---040--S.....	45
0353103H03.....	182	06DA-660---065--C.....	34	06EA-660---104--S.....	40	06NA-660---041--S.....	45
0353103H04.....	180	06DA-660---065--C.....	40	06EA-660---109--S.....	40	06NW2146-S---7NAC.....	43
0353103H04.....	182	06DA-660---066--S.....	34	06EA-660---110--S.....	40	06NW2174-S---7NAC.....	43
0353103H08.....	180	06DA-660---075--S.....	34	06EA-660---111--S.....	40	06NW2209-S---7EAC.....	43
0353103H09.....	180	06DA-660---078--S.....	34	06EA-660---112--S.....	41	06NW2209-S---7NAC.....	43
0353103H09.....	182	06DA-660---089--C.....	34	06EA-660---125--C.....	41	06NW2250-S---7EAC.....	43
0353103H12.....	180	06DA-660---090--C.....	34	06EA-660---135--S.....	34	06NW2250-S---7NAC.....	43
0353103H17.....	182	06DA-660---102--S.....	34	06EA-660---135--S.....	41	06NW2300-S---5EAC.....	43
0353103H25.....	180	06DA-660---105--S.....	34	06EA-660---137--S.....	41	06NW2300-S---5NAC.....	43
0353103H26.....	180	06DA-660---111--S.....	34	06EA-660---138--S.....	41	06NZJ23H09.....	45
0353103X15.....	182	06DA-660---120--S.....	34	06EA-660---139--S.....	41	06NZK23H09.....	45
0370620H07.....	20	06DA-660---122--S.....	34	06EA-660---141--S.....	41	06NZM23H09.....	45
0370620H07.....	22	06DA-660---125--S.....	34	06EA-660---143--S.....	41	06NZP23H09.....	45
0370620H08.....	20	06DA-660---126--S.....	34	06EA-660---144--S.....	41	06NZQ23H09.....	45
0370620H08.....	22	06DA-660---145--S.....	34	06EA-660---147--S.....	41	06NZR23H09.....	45
0370620H14.....	21	06DA-660---151--S.....	34	06EA-660---151--S.....	41	06NZU23H09.....	45
0370620H14.....	22	06DA-660---152--S.....	34	06EA-660---152--S.....	41	06NZW23H09.....	45
0370620H16.....	20	06DA8182AA-365A-S.....	32	06EA-660---156--S.....	41	06TA-660---007--S.....	47
0370620H16.....	22	06DA8252BA315A.....	32	06EA-660---157--S.....	41	06TA-680---008--S.....	47
0370620H25.....	20	06DA8252BA-325A-S.....	32	06EA-660---159--S.....	41	06TSA155SJ1C.....	46
0370620H25.....	22	06DA8252BA-365A-S.....	32	06EA-660---161--EE.....	41	06TSA186SJ1C.....	46
0370620H26.....	20	06DA-900---072--S.....	34	06EA-660---168--S.....	41	06TSJ95H24.....	47
0370620H26.....	22	06DD5370BC0601--S.....	32	06EA-660---391--EE.....	41	06TT-660---001--S.....	47
0370620H27.....	20	06DM3130CA-365A-S.....	32	06EA-900---023--S.....	41	06TT-660---002--S.....	47
0370620H27.....	22	06DM3160CA365A--S.....	32	06ET-150---621DCEE.....	39	06TT-660---003--S.....	47
0370620H28.....	20	06DM3370DA365A.....	32	06ET-150---660PW-S.....	39	06TT-660---004--S.....	47
0370620H28.....	22	06DM3370DA3857--S.....	32	06ET-150---66ERCD.....	39	06TT-660---011--S.....	47
0370620H29.....	20	06DM5377BC1200--S.....	32	06ET-175---621DCEE.....	39	06TT-660---019--S.....	47
0370620H29.....	22	06DM8186AC065A.....	32	06ET-175---66ERCD.....	39	06TT-660---027--S.....	47
0370620H30.....	20	06DM8187AC0600--S.....	32	06ET-175-A-621DCEE.....	39	06TT-660---035--S.....	47
0370620H32.....	20	06DM8187AC1200--S.....	32	06ET-199---621DCEE.....	39	06TT-660---036--S.....	47
0370620H32.....	22	06DR0130CA-365A-S.....	32	06ET-199-A-621DCEE.....	39	06TT-660---037--S.....	47
0370620H58.....	20	06DR1090GA365A.....	32	06ET-250---621DCEE.....	39	06TT-660---038--S.....	47
0370620H61.....	20	06DR2280DA365A.....	32	06ET-250---66ARPS.....	39	06TT-660---039--S.....	47
0370620H61.....	22	06DR3160CA-365A-S.....	33	06ET-250---66ERCD.....	39	06TT-660---040--S.....	47
0370620H63.....	20	06DR3160CA367A--S.....	33	06ET-265---621DCEE.....	39	06TT-660---042--S.....	47
0370620H63.....	22	06DR3370DA-325A-S.....	33	06ET-265---66ERCD.....	39	06TT-660---043--S.....	47
0370620H64.....	20	06DR3370DA-365A-S.....	33	06ET-275---621DCEE.....	39	06TT-660---044--S.....	47
0370620H65.....	20	06DR3370DC325A.....	33	06ET-275---66ERCD.....	39	06TT-660---052--S.....	47
0370620H65.....	22	06DR5410DA-065A-S.....	33	06ET-275-A-621DCEE.....	39	06TT-660---057--S.....	47
0370620H68.....	21	06DR-660---027--S.....	34	06ET-299---621DCEE.....	39	06TT-660---058--S.....	47
0370620H68.....	22	06DR-660---031--S.....	34	06ET-299---66ERCD.....	39	06TTA266SP1C.....	46
0370620H69.....	21	06DR-660---034--S.....	34	06ET-299-A-621DCEE.....	39	06TTA301SS1C.....	46
0370620H69.....	22	06DR-660---053--S.....	34	06NA2146-S---7EAC.....	43	06TTA356SS1C.....	46
0370620H70.....	21	06DR7180DA325A.....	33	06NA2146-S---7NAC.....	43	06TTP94H24.....	47
0370620H70.....	22	06DR7180DA-365A-S.....	33	06NA2174-S---7EAC.....	43	06TTS94H24.....	47
0370628H01.....	17	06DR7250DA-315A-S.....	33	06NA2174-S---7NAC.....	43	06TT----W266SM1D-.....	46
0370628H01.....	18	06DR7250DA-365A.....	33	06NA2209-S---7EAC.....	43	06TT----W301SM1D-.....	46
0370628H04.....	17	06DR8200DA-365A-S.....	33	06NA2209-S---7NAC.....	43	06TT----W356SP1D-.....	46
0370628H04.....	18	06DS5376BC1200--S.....	33	06NA2250-S---7EAC.....	43	06TUA483SW1C.....	46
0370628H08.....	17	06DS5376BC365ARP.....	33	06NA2250-S---7NAS.....	43	06TUA483SW1C.....	46
0370628H08.....	18	06DS8246BC365ARP.....	33	06NA2300-S---5EAC.....	43	06TUA483TW1C.....	46
0460106H12.....	118	06DX3286BC065A.....	33	06NA2300-S---5NAC.....	43	06TUA483WW1C.....	46
0460106H18.....	118	06DX3287BC0600--S.....	33	06NA-660---001--S.....	44	06TUA554SW1C.....	46
0460106H19.....	118	06DX3376BC0600--S.....	33	06NA-660---002--S.....	44	06TUA554SW1C.....	46
0460106H20.....	118	06DX5376BC065A.....	33	06NA-660---003--S.....	44	06TUV483ST1C.....	46
0460106H25.....	118	06DX5376BC1200--S.....	33	06NA-660---004--S.....	44	06TUV96H24.....	47
0460106H26.....	118	06DX5376BD1500--S.....	33	06NA-660---004--S.....	44	06TVW680SW1C.....	46
0460106H27.....	118	06DX7246AC065A.....	33	06NA-660---005--S.....	44	06TVW753SW1C.....	46
0460106H28.....	118	06DX8186AC0600--S.....	33	06NA-660---007--S.....	44	06TVW819SW1C.....	46
0602008-.....	146	06DX8246AC065A.....	33	06NA-660---008--S.....	44	10318121202R.....	135
0602051-.....	146	06DX8246BC065A.....	33	06NA-660---010--S.....	44	1032111001R.....	135
0602054-.....	146	06EA-402---273--C.....	40	06NA-660---011--S.....	44	10HX-500---582EE-F.....	45
0602058-.....	146	06EA-404---944--C.....	40	06NA-660---012--S.....	44	12043SB-S.....	184
0602059-.....	146	06EA-500---101--EE.....	40	06NA-660---013--S.....	44	13042SB-S.....	184
060B2007.....	147	06EA-500---122EE-B.....	40	06NA-660---015--S.....	44	13879904-437592520.....	138
060B2058.....	147	06EA-500---132EE-A.....	40	06NA-660---017--S.....	44	13879904-592287520.....	138
06DA3282BA325A-S.....	32	06EA-500---404--EE.....	40	06NA-660---018--S.....	44	14023DA-S.....	184
06DA3282BA-365A-S.....	32	06EA-500---752--EE.....	40	06NA-660---019--S.....	44	14023DB-S.....	184
06DA-404---674R6S.....	34	06EA-500---842--EE.....	40	06NA-660---020--S.....	44	14742300.....	137
06DA-408---824-OEM.....	34	06EA-660---026--S.....	40	06NA-660---021--S.....	44	14742400.....	137
06DA5370BA3801--S.....	32	06EA-660---034--S.....	40	06NA-660---022--S.....	44	14743800.....	137
06DA5372BA0657--S.....	32	06EA-660---071--S.....	40	06NA-660---023--S.....	44	15020DB-S.....	184
				06NA-660---024--S.....	44	-----15020-TTL.....	229
				06NA-660---025--S.....	45		



-----150-5-TTL.....	229	30HX-412---312EE-A.....	80	32GB-403---244--S.....	61	3LD2514-0TK51.....	171
157AS00001.....	119	30HX-412---322EE-A.....	80	32GB-403---254--S.....	61	3NA3136.....	169
157AS00002.....	119	30HX-415---602--EF.....	80	32GB-403---264--S.....	61	3NA3140.....	168
157AS00005.....	120	30HX-415---612--EF.....	62	32GB-403---274--S.....	61	3NA3140-6.....	169
157AS00008.....	119	30HX-415---622--EF.....	62	32GB-403---284--S.....	61	3NA3142.....	168
157AS00009.....	119	30HX-415---632--EF.....	62	32GB-403---824--S.....	61	3NA3142.....	169
157AS000207.....	120	30HX-415---642--EF.....	62	32GB-403---844--S.....	61	3NA3144.....	169
157AS00031.....	120	30HZ-402---252--EF.....	62	32GB-403---854--S.....	61	3NA3244.....	169
157AS00054.....	120	30HZ-402---262--EF.....	62	32GB-403---884--S.....	61	3NA3252.....	169
157AS00157.....	120	30HZ-402---302--EE.....	62	32GB-403---894--S.....	61	3NA3254.....	169
157AS00177.....	120	30HZ-402---312--EF.....	62	32GB-403---904--S.....	61	3NA3260.....	168
157AS00207.....	120	30HZ-402---322--EF.....	62	32GB-403---914--S.....	61	3NA3260.....	169
192013.280.....	196	30HZ-402---332--EE.....	62	32GB-404---034--S.....	61	3NA3352.....	169
192013.281.....	196	30HZ-402---342--EE.....	62	32GB-404---154--C.....	61	3NA3365.....	168
2TS1224.....	48	30HZ-402---362--EE.....	62	32GB-404---164--C.....	61	3NA3365.....	169
2TT1308.....	48	30RA-411---312--EE.....	112	32GB-404---174--C.....	61	3NA3372.....	168
2TU1563.....	48	30RA-411---382--EF.....	112	32GB-404---234--S.....	61	3NA3372.....	169
2XG22010---33AANK.....	194	30RA-500---612--EE.....	101	32GB-404---264--S.....	61	3NA3801-6.....	169
2XG22030---31AANK.....	194	30RA-500---652--EE.....	105	32GB-404---264--S.....	61	3NA3812-6.....	169
2XG22045---32AANL.....	194	30RA-501---122EE-A.....	124	32GB-404---454--C.....	62	3NA3817.....	168
2XG22055---2AANL.....	194	30RA-504---442--EE.....	124	32GB-404---464--C.....	62	3NA3830.....	168
2XG22070---1AANL.....	194	30RA-506---572--EB.....	100	32GB-404---474--C.....	62	3NA3830.....	169
3030/44C/160.....	109	30RA-506---582--EB.....	100	32GB-404---484--C.....	62	3NA3832.....	168
3030/44C/210.....	109	30RA-506---602--EB.....	100	32GB-404---504--C.....	62	3NA3832.....	169
3030/44C/245.....	109	30RA-506---672--EE.....	124	32GB-404---544--C.....	62	3NA3832-8.....	168
3030/44C/340.....	109	30RA-506---682--EE.....	124	32GB-404---574--S.....	62	3NA6130.....	168
3030/66C/150.....	109	30RA-506---692--EE.....	124	32GB-500---034--C.....	189	3ND2122.....	168
3030/66C/170.....	109	30RA-506---712--EE.....	105	32GB-500---044--S.....	189	3ND2130.....	168
3030/66C/185.....	109	30RA-507---142--EB.....	100	32GB-500---062--EE.....	193	3ND2132.....	168
3030/66C/245.....	109	30RA-507---152--EB.....	100	32GB-500---082--EE.....	193	3NE3335.....	168
3030/66C/280.....	109	30RA-509---302--EE.....	124	32GB-500---092--EE.....	193	3NH3330.....	170
3030/88C/127.....	109	30RA-509---372--EB.....	104	32GB-500---102--EE.....	193	3NH4030.....	170
3030/88C/245.....	109	30RA-511---552--EF.....	100	32GB-500---112--EE.....	193	3NH4230.....	170
3060/34C/320.....	109	30RA-511---562--EF.....	104	32GB-500---122--EE.....	193	3NP4010-0CH01.....	170
3060/45C/165.....	109	30RH-500---912--EE.....	124	32GB-500---132--EE.....	193	3NP4015-1CJ01.....	170
3060/45C/185.....	109	30RH-501---252--EE.....	124	32GB-500---182--EE.....	193	3NP4015-1CK01.....	170
3060/45C/280.....	109	30RH-501---262--EE.....	124	32GB-500---192--EE.....	193	3NP4016-1CJ01.....	170
3060/46C/245.....	109	30RW-500---012--EB.....	100	32GB-500---254--S.....	189	3NP4016-1CK01.....	170
3060/46C/250.....	109	30RW-500---032--EE.....	101	32GB-500---362--EE.....	194	3NP4070-0CA01.....	170
3060/46C/300.....	109	30RW-500---052--EE.....	105	32GB-500---372--EE.....	193	3NW6110-1.....	167
30GB-509---152--S.....	189	30RW-500---052--EF.....	104	32GB-500---372--EE.....	194	3NW6112-1.....	167
30GB-660---002--C.....	189	30RW-505---432--EF.....	100	32GB-500---382--EE.....	195	3NW6117-1.....	167
30GH-422---242--EE.....	197	30RW-505---442--EF.....	104	32GB-500---392--EE.....	194	3NW6120-1.....	167
30GH-422---252--EE.....	197	30RW-505---452--EF.....	104	32GB-500---402--EE.....	193	3NW7013.....	167
30GH-422---262--EE.....	197	30RY-500---002--EE.....	101	32GB-500---422--EE.....	191	3RH1911-1FA40.....	159
30GH-422---532--EE.....	197	30RY-500---672--Ef.....	124	32GB-500---422--EE.....	195	3RH1911-1HA01.....	159
30GK-401---392--EE.....	124	32GB-400---754--C.....	62	32GB-500---432--EE.....	191	3RH1911-1HA12.....	159
30GK-401---402--EE.....	124	32GB-400---764--C.....	62	32GB-500---432--EE.....	195	3RH1911-1HA22.....	159
30GT-409---069--C.....	192	32GB-400---784--C.....	62	32GB-500---442--EE.....	191	3RH1911-2HA01.....	159
30GX-404---952EE-C.....	45	32GB-402---374--C.....	60	32GB-500---472--EE.....	193	3RH1911-2HA12.....	159
30GX-417---132--EE.....	121	32GB-402---384--C.....	60	32GB-500---734--C.....	189	3RH1921-1DA11.....	159
30GX-428---322EE-A.....	124	32GB-402---394--C.....	60	32GB-660---005--S.....	189	3RH1921-1EA11.....	159
30GX-428---332EE-A.....	124	32GB-402---404--C.....	60	32LT-660---012--S.....	191	3RH1921-1EA20.....	159
30GX-428---342EE-A.....	124	32GB-402---414--C.....	60	32LT-660---004--C.....	197	3RH1921-1LA11.....	159
30GX-430---752EE-A.....	124	32GB-402---424--C.....	60	32LT-660---005--C.....	197	3RH1921-1LA20.....	159
30GX-430---762EE-A.....	124	32GB-402---434--S.....	60	32LT-660---006--S.....	197	3RH1921-2DA11.....	159
30GX-430---772--EE.....	121	32GB-402---504--S.....	60	32MP-500---354--S.....	48	3RH1921-2FC22.....	159
30GX-430---782--EE.....	121	32GB-402---524--S.....	60	35BD530542M.....	136	3RH1921-2HA40.....	159
30GX-430---822--Ee.....	124	32GB-402---534--C.....	60	38AQ-680---001--S.....	34	3RT1015-1AB01.....	154
30GX-430---832--EE.....	124	32GB-402---544--C.....	60	38AQ-680---001--S.....	41	3RT1015-1AB02.....	154
30GX-430---842--EE.....	124	32GB-402---554--C.....	60	39FZ-462---992--EE.....	140	3RT1015-1AF01.....	155
30GX-434---402--EF.....	62	32GB-402---564--C.....	60	39FZ-463---002--EE.....	140	3RT1015-2AB01.....	154
30GX-434---412--EE.....	62	32GB-402---574--C.....	60	39FZ-466---292--EE.....	139	3RT1015-2AB02.....	154
30GX-434---422--EF.....	62	32GB-402---584--C.....	60	39FZ-466---302--EE.....	139	3RT1016-1AB01.....	154
30GX-434---432--EF.....	62	32GB-402---594--C.....	60	39FZ-588---732--EE.....	140	3RT1017-1AB01.....	154
30GX-434---442--EF.....	62	32GB-402---604--C.....	60	39FZ-588---742--EE.....	140	3RT1017-1AB02.....	154
30GX-434---452--EF.....	62	32GB-402---614--C.....	60	3KA7112-3AA00.....	171	3RT1017-2AB01.....	154
30GX-434---462--EF.....	62	32GB-402---674--S.....	60	3KA7114-3AA00.....	171	3RT1024-1AB00.....	154
30GX-434---472--EF.....	62	32GB-402---704--C.....	60	3KA7115-3AA00.....	171	3RT1024-1AF00.....	154
30GX-525---832EE-A.....	123	32GB-403---094--S.....	60	3KA7116-3AA00.....	171	3RT1024-3AB00.....	154
30GX-525---842--EE.....	123	32GB-403---104--S.....	61	3KA7121-3AA00.....	171	3RT1025-1AB00.....	154
30GX-528---722ee-A.....	123	32GB-403---114--S.....	61	3KA7122-3AA00.....	171	3RT1025-3AB00.....	154
30GX-584---132--EE.....	123	32GB-403---124--S.....	61	3KA7123-3AA00.....	171	3RT1026-1AB00.....	154
30GX-584---142--EE.....	123	32GB-403---134--S.....	61	3KA7131-3AA00.....	171	3RT1026-1AF00.....	154
30GX-660---004--S.....	121	32GB-403---144--S.....	61	3KA7132-3AA00.....	171	3RT1026-3AB00.....	154
30GX-660---006--S.....	190	32GB-403---154--S.....	61	3KA7141-3AA00.....	171	3RT1034-1AB00.....	154
30HR-404---113EE1.....	122	32GB-403---164--S.....	61	3KL5530-1AB01.....	171	3RT1034-1AB04.....	154
30HR-404---203--EE1.....	122	32GB-403---174--S.....	61	3KX7112-2AA00.....	183	3RT1034-1AG20.....	155
30HT-511---642--EE.....	189	32GB-403---184--S.....	61	3KX7112-4AA00.....	183	3RT1034-3AB00.....	154
30HT-512---382--EE.....	190	32GB-403---194--S.....	61	3KX7116-2AD00.....	183	3RT1034-3AF00.....	154
30HT-512---392--EE.....	190	32GB-403---204--S.....	61	3KX7116-5AD00.....	183	3RT1035-1AB00.....	154
30HX-410---332--EE.....	121	32GB-403---224--S.....	61	3LD2213-0TK51.....	171	3RT1035-1AG20.....	154
30HX-412---302EE-A.....	80	32GB-403---234--S.....	61			3RT1035-3AB00.....	154

In consequence of standards and material evolution, the specifications published on this catalogue are indicative only and commits us only after confirmation by our services. Photos for illustration only

3RT1035-3AF00	154	3UG4511-2AP20	176	-5-F--30-A-219--S	53	-5-H--40--502--S	55
3RT1036-1AB00	154	41EA-500---552--EE	138	-5-F--30-C-664D-S	53	-5-H--40--653--S	56
3RT1036-1BF40	154	41EC-500---372--EE	138	-5-F--30-S-664--S	53	-5-H--40--871--S	55
3RT1044-1AF00	154	41MC500222M	136	-5-F--30-S-664--S	53	-5-H--40--909--S	53
3RT1044-1AG20-Z	154	41PS-501---062--EE	138	-5-F--36--1032--S	54	-5-H--40-A-219--S	53
3RT1044-3AF00	154	41TB-500---442--EE	138	-5-F--40--1042--C	54	-5-H--40-B-283--S	56
3RT1045-1AF00	154	42BJ450312MA	96	-5-F--40--1083--S	54	-5-H--40-S-219--S	53
3RT1045-3AF00	154	42BJ510002M	137	-5-F--40--1093--S	54	-5-H--41--1703--S	55
3RT1054-1AF36	155	42BJ510012M	137	-5-F--40--1211--S	54	-5-H--46--909--C	53
3RT1054-3AF36	155	42BJ510022M	136	-5-F--40--394--S	54	-5-H--46-A-219--S	53
3RT1055-2AF36	155	42BJ510032M	138	-5-F--40--4512--S	54	-5-H--46-S-219--S	53
3RT1055-6AF36	155	42BJ510562M	138	-5-F--40---4FI-A	56	-5-H--60--1004--S	56
3RT1056-2AF36	155	42BJ510562M003	136	-5-F--40--841--S	54	-5-H--60--132--S	56
3RT1056-6AF36	155	42BJ512012M	95	-5-F--40--909--S	53	-5-H--60--1632--S	55
3RT1064-2AF36	155	42BJ513392MG	138	-5-F--40-A-219--S	53	-5-H--60--1681--S	55
3RT1064-6AF36	155	42BJ513442MB	95	-5-F--40-S-219--S	53	-5-H--60--1831--S	55
3RU1116-0KB0	176	42BJ513452MD	95	-5-F--41--1703--S	54	-5-H--60--394--C	55
3RU1116-1CB0	176	42BJ513992MA	95	-5-F--60--1681--S	54	-5-H--60--4032--S	56
3RU1116-1CC1	176	42BJ514362M	95	-5-F--60--1831--S	54	-5-H--60--502--S	55
3RU1116-1EB0	176	42BJ514382M	95	-5-F--60--3792--S	56	-5-H--60--613--C	56
3RU1116-1FC1	176	42BJ573312M	95	-5-F--60--394--C	54	-5-H--60-A-219--S	53
3RU1116-1GB0	176	42CE500302M	136	-5-F--60--613--S	56	-5-H--60-C-109--S	53
3RU1116-1GC1	176	42CE500312M	136	-5-F--60--660001S	54	-5-H--60-C-119--S	53
3RU1116-1HB0	176	42EL500022M	97	-5-F--60--909--S	53	-5-H--60-S-219--S	53
3RU1116-1HC1	176	42EL500032M	97	-5-F--60-A-219--S	53	-5-H-660--001--S	56
3RU1116-1JB0	176	42EL500082M	136	-5-F--60-C-149--S	53	-5-H-660--003--S	56
3RU1126-4AB0	176	42EL500302M	97	-5-F--60-S-219--S	53	-5-H-660--008--S	56
3RU1126-4CB0	176	42EL500522M	97	-5-F-660--001--S	56	-5-H--66--404--S	53
3RU1136-4EB0	176	42EL500532M	97	-5-F-660--002--S	56	-5-H--66-A-219--S	53
3RU1136-4FB0	176	42EM500252M	97	-5-H-120--1653--S	54	-5-H--66-S-219--S	53
3RV1011-0CA10	164	42EM500262M	97	-5-H-120--2191--S	56	-5-H--80--1632--S	55
3RV1011-0DA10	164	42EM500272M	97	-5-H-120--3351--S	54	-5-H--80--394--C	55
3RV1011-0DA20	164	42EM500312M	136	-5-H-120--3431--S	54	-5-H--80--4962--C	55
3RV1011-0FA10	164	42EM500322M	136	-5-H-120--3441--S	54	-5-H--80--502--S	56
3RV1011-0GA10	164	42EM502072M	138	-5-H-120--3451--S	56	-5-H--80--821--S	56
3RV1011-0GA20	164	42EM502082M	138	-5-H-120--3481--S	54	-5-H--80-A-204--S	53
3RV1011-0HA20	164	42EM503182M	97	-5-H-120--3672--S	56	-5-H--80-A-219--S	53
3RV1011-0JA10	164	42EM503192M	97	-5-H-120--3891--S	54	-5-H--80-S-219--S	53
3RV1011-0JA20	164	42EM503202M	97	-5-H-120--394--C	54	-5-H--86--404--S	53
3RV1011-0KA10	164	42EM503522M	136	-5-H-120--4452--S	56	-5-H--86--562--S	56
3RV1011-0KA20	164	42EM504122MB	96	-5-H-120--4462--C	54	-5-H--86-A-219--S	53
3RV1011-1AA10	164	42GM500832M	95	-5-H-120--4472--S	54	-5-H--86-S-219--S	53
3RV1011-1AA20	164	42GR500134M	96	-5-H-120--4482--S	54	5ST3010	159
3RV1011-1BA10	164	42GR501622M	137	-5-H-120--4492--S	55	-----627--EE	246
3RV1011-1BA20	164	42GR504002M	95	-5-H-120--4552--S	56	-6-D--23--1421--C	56
3RV1011-1CA10	164	42GR505152M	96	-5-H-120--4FI-1AS	56	-6-D--43--172--S	34
3RV1011-1CA20	164	42KG5A3013	135	-5-H-120--4FI-AS	56	-6-D--43--172--S	56
3RV1011-1DA10	164	42KP5A3013	135	-5-H-120--502--S	55	7754018	228
3RV1011-1DA20	164	-----470EE-1	229	-5-H-120--732--C	55	7754024	228
3RV1011-1EA10	164	-----477--EE	229	-5-H-120--821--S	55	801013	40
3RV1011-1FA20	164	4AM3496-0EL70-0EN1	173	-5-H-120--837--S	56	801064	40
3RV1011-1GA10	164	4AM3896-0ED70-0EN1	173	-5-H-120--861--S	55	8TB0224	48
3RV1011-1GA20	164	4AM4342-5AN00-0EA1	173	-5-H-120-A-204--S	53	8TB0233	48
3RV1011-1HA10	164	4AM4396-0EH70-0EN1	173	-5-H-121--1703--S	55	8TB0676	48
3RV1011-1HA20	164	4AM4642-5AN00-0EA1	173	-5-H-126--404--S	53	8TB0702	48
3RV1011-1JA10	164	4AM46425MK1010-0F0	173	-5-H-126--562--S	56	8TB0883	48
3RV1011-1KA10	164	4AM8196-0AX40-0EN1	173	-5-H-126-A-219--S	53	8TB0884	48
3RV1011-1KA20	164	4AM8196-0AY40-0EN1	173	-5-H--40--1001--S	55	8TC0418C	48
3RV1021-0CA10	164	51300911500	135	-5-H--40--1011--S	55	8TC1047	48
3RV1021-0GA10	165	-5-F--20--1011--S	54	-5-H--40--1032--S	55	8TR0357	48
3RV1021-1BA15	165	-5-F--20--1031--S	56	-5-H--40--1042--S	55	8TS0709	48
3RV1021-1EA10	165	-5-F--20--1032--S	54	-5-H--40--1083--S	55	8TS0722	48
3RV1021-1GA10	165	-5-F--20--1083--S	54	-5-H--40--1093--S	55	8TS1713	48
3RV1021-1HA10	165	-5-F--20--1093--S	54	-5-H--40--1113--S	55	8TT0710	48
3RV1021-1KA10	165	-5-F--20--1113--S	54	-5-H--40--1171--S	55	8TT0732	48
3RV1021-4AA10	165	-5-F--20--132--S	56	-5-H--40--1181--S	55	8TT1121	48
3RV1021-4AA15	165	-5-F--20--1451--S	54	-5-H--40--1191--S	55	8TT1123	48
3RV1021-4BA10	165	-5-F--20--1631--S	54	-5-H--40--1361--S	55	8TT1124	48
3RV1021-4BA15	165	-5-F--20--1701--S	54	-5-H--40--1371--S	55	8TU0720	48
3RV1021-4DA10	165	-5-F--20--1703--S	54	-5-H--40--1411--S	55	8TU0844	48
3RV1421-1CA10	165	-5-F--20--171112S	54	-5-H--40--1423--S	55	8TU1337	48
3RV1915-1CB	175	-5-F--20--1813--S	54	-5-H--40--1451--S	55	8TU1542	48
3RV1915-1DB	175	-5-F--20--394--C	54	-5-H--40--1621--S	55	99CM-403---222--EE	192
3RW3025-1AB04	196	-5-F--20--660001S	54	-5-H--40--1701--S	55	99CM-403---232--EE	192
3RW3026-1BB04	196	-5-F--20--677--S	56	-5-H--40--1711--S	55	99CM-403---242--EE	192
3RW3027-1bB04	196	-5-F--20--752--S	56	-5-H--40--1782--S	56	99CM-403---252--EE	192
3RW3036-1BB04	196	-5-F--20-A-563--S	56	-5-H--40--2001--S	55	99CM-403---632--EE	192
3RW3346-0EC34	196	-5-F--20-C-654D-S	53	-5-H--40--242--S	56	99CM-403---642--EE	192
3RW4026-1bB04	196	-5-F--20-S-674--S	53	-5-H--40--2433--S	55	99CM-403---652--EE	192
3RW4027-1BB04	196	-5-F--20-S-684--S	53	-5-H--40--323--S	56	99CM-403---662--EE	192
3RW4037-1BB04	196	-5-F--30--136101S	54	-5-H--40--3692--C	55	99CM-403---672--EE	192
3TX7005-1LB00	176	-5-F--30--1831--S	54	-5-H--40--394--C	55	99QM-803DE-050--EE	200
3UG4511-1AP20	176	-5-F--30--394--C	56	-5-H--40--477--S	56	99QM-803DE-051--EE	200

99QM-803DE-052--EE	200	--BA--12LA-006--EE	106	--CW--12AL-090--EE	158	--DN--12DD-025--EE	245
99QM-803FI-050--EE	200	--BA--12LA-007--EE	106	--CW--12AL-619--EE	158	--DN--12EA-009--EE	244
99QM-803FI-051--EE	200	--BA--12LA-008--EE	106	--CW--12AL-622--EE	158	--DN--12EA-010--EE	244
99QM-803FI-052--EE	200	--BA--12LA-009--EE	106	--CW--12AL-625--EE	158	--DN--12EA-016--EE	244
99QM-803FR-050--EE	200	BLANC 9010	246	--CW--12AL-634--EE	158	--DN--12EA-017--EE	244
99QM-803FR-051--EE	200	--BM--12GA-018--EE	45	--CW--12AL-640--EE	158	--DN--12EA-037--EE	245
99QM-803FR-052--EE	200	C020438H03	135	--CW--12AL-660--EE	158	--DN--12EA-052--EE	245
99QM-803GB-050--EE	200	C023554G01	135	--CW--12AL-664--EE	158	--DQ--12AG-001--EE	21
99QM-803GB-051--EE	200	C024160H01	135	--CW--12AL-679--EE	158	--DQ--12AG-001--EE	22
99QM-803GB-052--EE	200	C024161H01	135	--CW--12XL-001--EE	161	--DQ--12AL-001EE1	17
99QM-803GR-050--EE	200	C024162H01	135	--CW--12XL-010--EE	161	--DQ--12AL-001EE1	18
99QM-803GR-051--EE	200	C024318H01	94	--CY--12RB-017--EE	191	--DQ--12AL-005EE1	17
99QM-803GR-052--EE	200	C024320H01	94	--CY--12RB-018--EE	191	--DQ--12AL-005EE1	18
99QM-803IT-050--EE	200	C024321H01	94	--CY--12WA-001--EE	107	--DQ--12AL-007EE1	17
99QM-803IT-051--EE	200	C024322H01	94	--CY--12WA-003--EE	107	--DQ--12AL-007EE1	18
99QM-803IT-052--EE	200	C024323H01	94	--CY--12WA-005--EE	107	--DQ--12AL-008EE1	17
99QM-803NL-050--EE	200	C024324H01	94	--CY--12WA-007--EE	107	--DQ--12AL-008EE1	18
99QM-803NL-051--EE	200	C024325H01	94	D017812X01	135	--DQ--12AL-009EE1	17
99QM-803NL-052--EE	200	C024465H01	89	D019205H01	135	--DQ--12AL-009EE1	18
99QM-803PT-050--EE	200	C024465H02	89	D019232H01	135	--DQ--12AL-012EE1	17
99QM-803PT-051--EE	200	C024525H01	103	D020894G01	135	--DQ--12AL-012EE1	18
99QM-803PT-052--EE	200	C024526H01	103	D021561H01	88	--DQ--12BA-005EE1	16
99QM-803SE-050--EE	200	C025629G01	98	D021561H02	88	--DQ--12BA-005EE1	17
99QM-803SE-051--EE	200	C025629H12	88	D021562H01	98	--DQ--12BA-005EE1	18
99QM-803SE-052--EE	200	C025664H01	88	D021562H02	88	--DQ--12BA-014EE1	16
99QM-803SP-050--EE	200	C025665G01	88	D021563H02	88	--DQ--12BA-014EE1	17
99QM-803SP-051--EE	200	C025665H12	88	D021708H01	88	--DQ--12BA-014EE1	18
99QM-803SP-052--EE	200	CARTE-SD1G033ASM	199	D021709H01	88	--DQ--12BA-015EE1	16
A205643	166	--CB--12DE-016--EE	191	D021710H01	88	--DQ--12BA-015EE1	17
AA-UNIVERSAL-KIT	230	CB60-60HF	118	--DB--12DB-001--EE	96	--DQ--12BA-015EE1	18
AF230	188	--CC--12MA-017--EE	34	--DC--99RA-025--C	189	--DQ--12BA-016EE1	16
AF230-S	188	CECO120803-02	190	--DK--12AB-001--EE	86	--DQ--12BA-016EE1	17
AF24	188	CEPL110189-02	190	--DK--12AB-005EE-1	86	--DQ--12BA-016EE1	18
AF24-S	188	CEPL130085-01	191	--DK--12AB-006--EE	86	--DQ--12BA-017EE1	16
AF24-SR	188	CESO110021-00	201	--DK--12AB-009--EE	86	--DQ--12BA-017EE1	17
AF24-SR-S	188	CESO110031-00	201	--DK--12AB-021--EE	86	--DQ--12BA-017EE1	18
AFR230-S	188	CESO110053-00-S	201	--DK--12AB-024--EE	88	--DQ--12BA-018EE1	16
AFR24-S	188	CESO110059-00-S	201	--DK--12AB-028--EE	86	--DQ--12BA-018EE1	17
--AH--12MA-001--EE	209	CESO110060-00	201	--DK--12AB-033--EE	86	--DQ--12BA-018EE1	18
--AH--12MA-002--EE	209	CESO110063-02-S	201	--DK--12AB-040--EE	86	--DQ--12BA-023EE1	16
--AH--12MA-003--EE	209	CESO110065-01	201	--DK--12AB-044--EE	86	--DQ--12BA-023EE1	17
--AH--12MA-004--EE	209	CESO110068-02	201	--DK--12AB-046--EE	86	--DQ--12BA-023EE1	17
--AH--12MA-005--EE	209	CESO121319-01	201	--DK--12AB-050--E	86	--DQ--12BA-024EE1	16
--AH--12MB-001--EE	209	CESO130045	201	--DK--12AB-050--EE	86	--DQ--12BA-024EE1	17
--AH--12MB-002--EE	209	--CF--12EA-008--EE	113	--DK--12AB-052--EE	86	--DQ--12BA-024EE1	18
--AH--12MB-003--EE	209	CF12GS100EE	113	--DK--12AB-055--EE	86	--DQ--12BA-027EE1	16
--AH--12MB-004--EE	209	CF12GT065EE	113	--DK--12AH-001--EE	86	--DQ--12BA-027EE1	17
--AH--12MB-005--EE	209	CF12GU100EE	113	--DM--12CA-002--EE	101	--DQ--12BA-027EE1	18
AM013536	131	CF12GV065EE	113	--DM--12CA-003--EE	101	--DQ--12BA-028EE1	16
AM013540	131	CF12GV095EE	113	--DM--12CA-004--EE	101	--DQ--12BA-028EE1	17
ami1ss3	126	--CF--12GY-030--EE	113	--DM--12CA-005--EE	105	--DQ--12BA-028EE1	18
ami1ss5	126	--CF--12GY-050--EE	113	--DM--12CA-006--EE	105	--DQ--12BA-030EE1	16
ATV21HU15N4	198	--CF--12GY-100--EE	113	--DM--12CA-007--EE	105	--DQ--12BA-031EE1	16
ATV21HU22N4	198	--CF--12GY-120--EE	113	--DN--12AB-003--EE	244	--DQ--12BA-031EE1	17
ATV21HU30N4	198	--CT--12DA-099--EE	157	--DN--12AC-001--EE	244	--DQ--12BA-031EE1	18
B032774H01	88	--CT--12DA-129--EE	157	--DN--12AC-002--EE	244	--DQ--12BA-070--EE	15
B032776H01	88	--CT--12DA-169--EE	157	--DN--12AD-004--EE	244	--DQ--12BA-070--EE	17
B033098H01	88	--CT--12DA-259--EE	157	--DN--12CA-001--EE	244	--DQ--12BA-070--EE	18
B033262H01	135	--CT--12DA-403--EE	157	--DN--12CA-002--EE	244	--DQ--12BA-072--EE	15
B033263X01	135	--CT--12DA-503--EE	157	--DN--12CA-003--EE	244	--DQ--12BA-072--EE	17
B034016H03	118	--CT--12DA-603--EE	157	--DN--12DA-001--EE	244	--DQ--12BA-072--EE	18
B034016H04	118	--CT--12DA-803--EE	157	--DN--12DA-002--EE	244	--DQ--12BA-074EE1	15
B034447H01	98	--CT--12SB-099--EE	157	--DN--12DB-002--EE	244	--DQ--12BA-074EE1	17
B034456H01	98	--CT--12SB-129--EE	157	--DN--12DB-003--EE	244	--DQ--12BA-074EE1	18
B034507H01	98	--CT--12SB-169--EE	157	--DN--12DB-010--EE	244	--DQ--12CA-001--EE	15
B034508H01	98	--CT--12SB-259--EE	157	--DN--12DC-001--EE	245	--DQ--12CA-001--EE	17
B034510H01	98	--CT--12SB-403--EE	157	--DN--12DC-003--EE	245	--DQ--12CA-001--EE	18
B035447H01	118	--CT--12SB-503--EE	157	--DN--12DC-004--EE	245	--DQ--12CA-002--EE	15
B035865H01	88	--CT--12SB-603--EE	157	--DN--12DC-005--EE	245	--DQ--12CA-002--EE	17
B036087H01	118	--CT--12SB-803--EE	157	--DN--12DC-008--EE	245	--DQ--12CA-002--EE	18
B036087H02	118	--CT--12SD-099--EE	156	--DN--12DC-009--EE	245	--DQ--12CA-003--EE	15
B036087H05	118	--CT--12XA-011--EE	160	--DN--12DC-010--EE	245	--DQ--12CA-003--EE	17
B036087H07	118	--CT--12XA-013--EE	160	--DN--12DC-011--EE	245	--DQ--12CA-003--EE	18
B036087H09	118	--CT--12XA-022--EE	160	--DN--12DC-012--E	245	--DQ--12CA-005--EE	15
B036087H10	118	--CT--12XA-040--EE	160	--DN--12DC-015--EE	245	--DQ--12CA-005--EE	17
B036428H01	88	--CW--12AL-019--EE	158	--DN--12DC-016--EE	245	--DQ--12CA-005--EE	18
B036874H01	139	--CW--12AL-022--EE	158	--DN--12DC-018--EE	245	--DQ--12CA-006--EE	15
B036874H02	139	--CW--12AL-025--EE	158	--DN--12DC-019--EE	245	--DQ--12CA-006--EE	17
--BA--12LA-001--EE	106	--CW--12AL-034--EE	158	--DN--12DC-021--EE	245	--DQ--12CA-006--EE	18
--BA--12LA-002--EE	106	--CW--12AL-040--EE	158	--DN--12DC-023--EE	245	--DQ--12CA-007--EE	17
--BA--12LA-003--EE	106	--CW--12AL-060--EE	158	--DN--12DC-025--EE	245	--DQ--12CA-007--EE	18
--BA--12LA-004--EE	106	--CW--12AL-064--EE	158	--DN--12DC-027--EE	245	--DQ--12CA-009--EE	17
--BA--12LA-005--EE	106	--CW--12AL-079--EE	158	--DN--12DC-028--EE	245	--DQ--12CA-009--EE	18

In consequence of standards and material evolution, the specifications published on this catalogue are indicative only and commits us only after confirmation by our services. Photos for illustration only



--DQ--12CA-011--EE.....	14	--EP--71BA-343--EE.....	70	--FA--12DA-015--EE.....	191	--HD--52AK-653--S.....	87
--DQ--12CA-011--EE.....	17	--EP--71BA-393--EE.....	70	--FB--12AH-006--EE.....	168	--HH--23AG-085--C.....	152
--DQ--12CA-011--EE.....	18	--EP--71BA-463--EE.....	70	--FB--12AH-025--EE.....	168	--HH--24CZ-020--S.....	152
--DQ--12CA-012--EE.....	14	ERCD480302267.....	207	--FB--12AH-035--EE.....	168	--HH--79NZ-013--C.....	189
--DQ--12CA-012--EE.....	17	ERCD480402095.....	208	--FB--12AH-050--EE.....	168	--HH--79NZ-059--C.....	191
--DQ--12CA-012--EE.....	18	ERCD480500210.....	206	--FB--12AH-063--EE.....	168	--HH--83ZH-001--C.....	189
--DQ--12CA-014--EE.....	17	ERCD480500311.....	206	--FB--12AH-080--EE.....	168	--HK--35AA-002--C.....	190
--DQ--12CA-014--EE.....	18	ERCD480506169.....	206	--FB--12AH-160--EE.....	169	--HK--35AZ-001--C.....	189
--DQ--12CA-015--EE.....	16	ERCD480506573.....	206	--FB--12AM-020--EE.....	166	--HK--50AA-001--C.....	190
--DQ--12CA-015--EE.....	17	ERCD480507179.....	206	--FL--12HA-012--EE.....	162	--HK--50AA-002--S.....	190
--DQ--12CA-015--EE.....	18	--EU--12CA-040--EE.....	114	--FL--12HA-015--EE.....	162	--HK--50AA-003--C.....	190
--DQ--12CA-017--EE.....	16	--EU--12CC-020--EE.....	114	--FL--12JA-015--EE.....	162	--HK--50AA-004--C.....	190
--DQ--12CA-017--EE.....	17	--EU--12CC-030--EE.....	115	--FL--12JA-020--EE.....	162	--HK--50AA-006--C.....	190
--DQ--12CA-017--EE.....	18	--EU--12CC-040--EE.....	115	--FL--12JA-025--EE.....	162	--HK--50AA-007--S.....	190
--DQ--12CA-018--EE.....	16	--EU--12CC-050--EE.....	115	--FL--12JA-030--EE.....	162	--HK--50AA-008--C.....	190
--DQ--12CA-018--EE.....	17	--EU--12CC-080--EE.....	115	--FL--12JA-036--EE.....	162	--HK--50AA-014--S.....	190
--DQ--12CA-018--EE.....	18	--EU--12CD-020--EE.....	115	--FL--12JA-041--EE.....	162	--HK--50AA-021--S.....	190
--DQ--12CA-025--EE.....	14	--EU--12CD-050--EE.....	115	--FL--12JA-050--EE.....	162	--HK--50AA-023--EE.....	190
--DQ--12CA-025--EE.....	17	--EU--12CD-060--EE.....	115	--FL--12JA-052--EE.....	162	--HK--50AA-029--S.....	190
--DQ--12CA-025--EE.....	18	--EU--12CE-020--EE.....	115	--FL--12JA-055--EE.....	162	--HK--50AA-031--S.....	190
--DQ--12CA-027--EE.....	14	--EU--12CF-034--EE.....	115	--FL--12JA-060--EE.....	162	--HK--50AA-033--S.....	190
--DQ--12CA-027--EE.....	17	--EU--12CF-050--EE.....	115	--FL--12JA-066--EE.....	162	--HK--50AA-035--S.....	190
--DQ--12CA-027--EE.....	18	--EU--12CJ-040--EE.....	115	--FL--12JA-076--EE.....	162	--HK--50AA-039--S.....	190
--DQ--12CA-028--EE.....	14	--EU--12CM-110--E.....	118	--FL--12JA-077--EE.....	162	--HK--50RL-004--S.....	190
--DQ--12CA-028--EE.....	17	--EU--12CN-036--EE.....	118	--FL--12JA-078--EE.....	162	--HN--65CT-011--C.....	190
--DQ--12CA-028--EE.....	18	--EU--12CN-046--EE.....	118	--FL--12JA-080--EE.....	162	--HN--65CT-011--C.....	190
--DQ--12CA-031--EE.....	14	--EU--12CN-058--EE.....	118	--FL--12JA-084--EE.....	162	--HN--65KZ-027--C.....	189
--DQ--12CA-031--EE.....	17	--EU--12CN-064--EE.....	118	--FL--12JA-088--EE.....	162	--HN--68GA-295--C.....	41
--DQ--12CA-031--EE.....	18	--EU--12CN-074--EE.....	118	--FL--12JA-089--EE.....	162	--HR--12AA-002--EE.....	107
--DQ--12CA-032--EE.....	14	--EU--12CN-086--EE.....	118	--FL--12JA-097--EE.....	162	--HR--12AA-004--EE.....	107
--DQ--12CA-032--EE.....	17	--EU--12CN-092--EE.....	117	--FL--12LA-038--EE.....	162	--HR--12BA-011--EE.....	122
--DQ--12CA-032--EE.....	18	--EU--12CN-116--EE.....	117	--FL--12LA-070--EE.....	162	--HR--12BA-012--EE.....	122
--DQ--12CA-033--EE.....	17	--EU--12CN-170--EE.....	117	--FL--12LA-080--EE.....	162	--HR--53ZK-001--S.....	190
--DQ--12CA-033--EE.....	18	--EU--12CN-582--EE.....	117	FUSE010.....	166	--HT--01BZ-230--S.....	189
--DQ--12CA-035--EE.....	17	--EU--12CN-584--EE.....	117	FUSE060.....	167	--HT--08DZ-026--S.....	191
--DQ--12CA-035--EE.....	18	--EU--12CN-594--EE.....	117	FUSE080.....	167	--HT--38AZ-120--S.....	123
--DQ--12CA-036--EE.....	14	--EU--12CN-610--EE.....	117	FUSE10A.....	167	--HT--38KN-001--C.....	189
--DQ--12CA-036--EE.....	17	--EU--12CN-616--EE.....	117	--GB--12JC-016--EE.....	189	ID961-16A230VNTC3M.....	151
--DQ--12CA-036--EE.....	18	--EU--12CN-628--EE.....	117	--GB--12JC-017--EE.....	190	ID961-8A230VNTC15M.....	151
--DQ--12CA-037--EE.....	17	--EU--12CN-648--EE.....	117	--GB--12KM-001--EE.....	189	ID961-8A230VNTC3M.....	151
--DQ--12CA-037--EE.....	18	--EU--12CO-026--EE.....	115	GM230A.....	187	KAXX1211A.....	206
--DQ--12CA-038--EE.....	17	--EU--12CO-040--EE.....	115	GM24A.....	187	--KC--21AH-005--S.....	247
--DQ--12CA-038--EE.....	18	--EU--12CO-050--EE.....	115	GM24A-SR.....	187	--KC--21AH-105--S.....	247
--DQ--12EB-001--EE.....	21	--EU--12CO-060--EE.....	115	H23A623DBE.....	24	--KC--21AH-151--S.....	247
--DQ--12EB-001--EE.....	22	--EU--12CP-026--EE.....	115	H25G144DBE.....	24	--KH--12AA-003--M.....	137
--DQ--12EB-004--EE.....	21	--EU--12CP-030--EE.....	115	H29A723DBV.....	24	--KH--12AA-005--M.....	137
--DQ--12EB-004--EE.....	22	--EU--12CP-036--EE.....	115	H29B17UABH.....	24	--KH--12AA-006--M.....	137
--DQ--12ED-001--EE.....	21	--EU--12CP-050--EE.....	115	H29B30UABHA.....	24	--KH--12AB-001--M.....	139
--DQ--12ED-001--EE.....	22	--EU--12CP-060--EE.....	115	H2B6124DBE.....	24	--KH--12AB-002--M.....	139
E000299H01.....	135	--EU--12CR-060--EE.....	115	H2EB223ABK.....	24	--KH--12AB-003--M.....	139
E353X05026ARDABMA.....	194	--EU--12CR-070--EE.....	115	H2EB243ABK.....	24	--KH--12AB-005--M.....	139
E353X05028AGYABMA.....	194	--EU--12CR-090--EE.....	115	H2EB293ABK.....	24	--KH--12AB-006--M.....	139
E353X05028AGYABMA.....	194	--EU--12CT-050--EE.....	115	H2NG184DPE.....	24	--KH--12AB-007--M.....	139
E353X05038BGYABMA.....	194	--EU--12CT-060--EE.....	115	H2NG204DRE.....	24	--KH--12AB-008--M.....	139
E353X05045BGYABMA.....	194	--EU--12CU-034--EE.....	117	H2NG244DRE.....	24	--KH--12AB-110--M.....	139
E353X05055BRDABMA.....	194	--EU--12CU-042--EE.....	117	H2NG294DPE.....	24	--KH--12AB-112--M.....	139
--EA--02SC-362--S.....	68	--EU--12CU-048--EE.....	117	H73A383DBE.....	25	--KH--12AB-113--M.....	139
--EA--03PC-462--S.....	68	--EU--12CU-062--EE.....	117	H73A423DBE.....	25	--KH--12AC-001--M.....	137
--EA--03PC-503--S.....	68	--EU--12CU-162--EE.....	117	H73A623DBE.....	25	--KH--12AC-002--M.....	137
--EA--03PC-519--S.....	68	--EU--12CV-090--EE.....	117	H75G144DBE.....	25	--KH--12AC-003--M.....	137
--EA--09KB-561--C.....	65	--EU--12CV-102--EE.....	117	H79A723DBV.....	25	--KH--12AC-008--M.....	137
--EA--09KB-571--C.....	65	--EU--12CV-122--EE.....	117	H7BG124DBE.....	25	--KH--12AC-021--M.....	137
--EA--09KB-581--C.....	65	--EU--12CV-142--EE.....	117	H7NG184DPE.....	25	--KH--12AC-023--M.....	137
--EA--09KB-595--C.....	65	--EU--12CV-162--EE.....	117	H7NG204DRE.....	25	--KH--12AD-005--M.....	136
--EA--09KB-598--C.....	65	--EU--12CW-126--EE.....	115	H7NG244DRE.....	25	--KH--12AD-006--M.....	136
--EF--05BD-271--EE.....	64	--EU--12CW-222--EE.....	115	H7NG294DPE.....	25	--KH--12AD-008--M.....	136
--EF--05BD-273--EE.....	64	--EU--12CX-166--EE.....	115	--HC--37ME-720--S.....	87	--KH--12AD-017--M.....	136
--EF--05BD-331--EE.....	64	--EU--12CX-222--EE.....	115	--HC--37VE-651--S.....	87	--KH--12AD-019--M.....	136
--EF--05BD-333--EE.....	64	--EU--12FA-002--EE.....	117	--HC--39ME-236--S.....	87	--KH--12AE-003--M.....	136
--EF--05BD-391--EE.....	64	--EU--12FA-003--EE.....	117	--HC--39ML-704--S.....	87	--KH--12AE-004--M.....	136
--EF--05BD-451--EE.....	64	--FA--12AA-001--EE.....	166	--HC--39ML-717--C.....	87	--KH--12AE-006--M.....	136
--EF--17BG-247--S.....	77	--FA--12AA-002--EE.....	166	--HC--41VL-232--S.....	87	--KH--12AE-008--M.....	136
egalisation ligne d'huile 2 com- presseurs [06e].....	122	--FA--12AA-003--EE.....	166	--HC--42GL-208--S.....	87	--KH--12AE-018--M.....	136
egalisation ligne d'huile 3 com- presseurs [06e].....	122	--FA--12AA-005--EE.....	166	--HC--42ME-232--C.....	87	--KH--12AE-019--M.....	136
--EK--02JA-203--C.....	203	--FA--12AA-012--EE.....	166	--HC--42SE-232--C.....	87	--KH--12AF-001--M.....	137
--EK--02KK-105--C.....	203	--FA--12AA-015--EE.....	166	--HC--43TL-400--S.....	87	--KH--12AF-002--M.....	137
--EK--41JK-101--C.....	203	--FA--12AA-022--EE.....	166	--HC--44ME-701--C.....	87	--KH--12AF-003--M.....	137
--EN--07EA-510--C.....	45	--FA--12AA-022--EE.....	190	--HC--44VE-232--C.....	87	--KH--12AF-004--M.....	137
--EP--12BH-211--S.....	81	--FA--12AA-025--EE.....	166	--HC--44VL-702--S.....	87	--KH--12AI-001--M.....	139
--EP--71BA-233--S.....	70	--FA--12AA-026--EE.....	166	--HC--46VL-703--S.....	87	--KH--12AI-002--M.....	139
--EP--71BA-283--EE.....	70	--FA--12AA-028--EE.....	166	--HC--52TE-231--C.....	87	--KH--12AI-006--M.....	139
		--FA--12BJ-125--EE.....	169	--HD--46VE-202--C.....	87	--KH--12AI-007--M.....	139
		--FA--12DA-015--EE.....	166	--HD--46VE-206--C.....	87	--KH--12AJ-001--M.....	138
						--KH--12AJ-002--M.....	138

--KH--12AJ-005--M.....	138	--LL--01SB-044--C.....	116	--P-502--8305--S.....	131	TAM3496-0BR50-0EN1.....	173
--KH--12AJ-006--M.....	138	--LL--01SB-048--EE.....	115	--P-502--8305S-S.....	131	TAM3496-0FS30-0EN1.....	173
--KH--12AJ-012--M.....	138	--LL--01SB-052--EE.....	116	--P-502--8417S-S.....	131	TAM3496-0EL10-0EN1.....	173
--KH--12AJ-013--M.....	138	--LL--01SB-054--EE.....	116	--P-504--8083--S.....	131	TAM3896-0BQ70-0EN1.....	173
--KH--12AJ-101--M.....	138	LM230A.....	187	--P-504--8084S-S.....	131	TAM3896-0EB40-0EN1.....	173
--KH--12AM-007--M.....	140	LM230ASR.....	187	--P-504--8164--S.....	131	TAM4096-0EC10-0EN1.....	173
--KH--12AP-006--M.....	140	LM24A.....	187	--P-505--819213S.....	129	TAM4096-0EV00-0EN1.....	173
--KH--12AR-001--M.....	137	LM24A-SR.....	187	--P-505--8485--S.....	129	TAM4396-0EH20-0FN1.....	173
--KH--12AR-002--M.....	138	MTA540023M.....	138	--P-505--8489--S.....	129	TAM4396-0EM10-0EN1.....	173
--KH--12AS-005--M.....	138	MTA540752M.....	138	--P-505--8967--S.....	129	TAM4396-0EM10-0FN1.....	173
--KH--12AS-006--M.....	138	MTZ64HM4VE.....	17	--P-505--8969--S.....	129	TAM4696-0EN30-0FN1.....	173
--KH--12AS-007--M.....	137	MTZ64HM4VE.....	18	--P5068-F-48--S.....	133	TAM8196-0AX40-0EN1.....	173
--KH--12AS-008--M.....	138	N205655/R214122J.....	166	--P5068-H-48--S.....	133	TEST-VERNOLAB-FR.....	230
--KH--12AS-010--M.....	138	NM230A.....	187	--P5068-S-100--S.....	133	TF230.....	188
--KH--12AS-012--M.....	138	NM24A.....	187	--P-800--0004--EE.....	226	TF230-S.....	188
--KH--12AZ-027--M.....	136	NM24A-SR.....	187	--P-800--0006--EE.....	226	TF24.....	188
--KH--12AZ-101--M.....	136	--OJ--12MA-004--EE.....	178	--P-800--0008--EE.....	226	TF24-S.....	188
--KH--12AZ-102--M.....	137	--OJ--12MC-003--EE.....	178	--P-800--0010--EE.....	226	TF24-SR.....	188
--KH--12AZ-107--M.....	136	--OK--12AC-025--EE.....	190	--P-800--0012--EE.....	226	TSM29146.....	174
--KH--12BA-003--M.....	137	--OK--12SW-125--EE.....	190	--P-800--2001--EE.....	226	TSM29147.....	174
--KH--12BA-004--M.....	137	--OL--12TV-018--EC.....	177	--P-800--2002--EE.....	226	TSM30038.....	174
--KH--12BA-005--M.....	137	--OL--12TV-021--EC.....	177	--P-800--2003--EE.....	226	TT1-001.....	230
--KH--12BI-001--M.....	140	--OL--12TV-028--EC.....	177	--P-800--2004--EE.....	226	TT1-002.....	230
--KH--12BI-002--M.....	140	--OL--12TV-031--EC.....	177	--P-800--2005--EE.....	226	TT2-001.....	230
--KH--12BI-003--M.....	140	--OL--12TV-044--EC.....	177	--P-801--0004EE1.....	225	TT2-002.....	230
--KH--12BO-001--M.....	138	--OL--12TV-065--EC.....	177	--P-801--0006EE1.....	225	--UA--12AA-101--EE.....	204
--KH--12BO-101--M.....	139	--OL--12TY-019--EE.....	177	--P-801--0008EE1.....	225	--UA--12AA-102--EE.....	204
--KH--12BO-102--M.....	139	--OL--12TY-025--EE.....	177	--P-801--0010EE1.....	225	--UA--12AA-105--EE.....	204
--KH--12BP-102--M.....	140	--OL--12TY-032--EE.....	177	--P-801--0012EE1.....	225	--UA--12AA-106--EE.....	204
--KH--28ED-161--EE.....	128	--OL--12TY-042--EE.....	177	--P-801--0014EE1.....	225	--UA--12AA-110--EE.....	204
--KH--28ED-200--S.....	128	--OP--12AS-004--EE.....	191	--P-801--0018EE1.....	225	--UA--12AA-111--EE.....	204
--KH--28ED-202--EE.....	128	--OP--12AS-005--EE.....	191	--P-801--0022EE1.....	225	--UA--12AA-112--EE.....	204
--KH--28ED-240--EE.....	128	--OP--12AS-006--EE.....	191	--P-801--0026EE1.....	225	--UA--12AA-113--EE.....	204
--KH--28ED-242--C.....	128	--OP--12AS-007--EE.....	191	--P-801--0034EE1.....	225	--UA--12AA-114--EE.....	204
--KH--28ED-280--S.....	128	--OP--12AS-007--EE.....	191	--P-801--0042EE1.....	225	--UA--12AA-115--EE.....	204
--KH--29MD-048--EE.....	133	--OP--12AS-008--EE.....	191	--P-801--0080EE1.....	225	--UA--12AA-116--EE.....	204
--KH--29MD-060--S.....	133	--OP--12AS-010--EE.....	191	--P-802--0004EE1.....	225	--UA--12AB-002--EE.....	205
--KH--49EA-040--C.....	129	--OP--12AS-011--EE.....	191	--P-802--0005EE1.....	225	--UA--12BA-001--EE.....	208
--KH--49EA-200--C.....	129	--OP--12AS-012--EE.....	191	--P-802--0006EE1.....	225	--UA--12BA-002--EE.....	208
KIT33ASM-01-INWALL.....	199	--OP--12AS-012--EE.....	191	--P-802--0008EE1.....	225	--UA--12BA-003--EE.....	208
KIT33ASM-01-ONWALL.....	199	--OP--12AS-014--EE.....	191	--P-802--0010EE1.....	225	--UA--12BA-004--EE.....	208
--KK--71EW-223-OEM.....	48	--OP--12AS-015--EE.....	191	--P-802--0012EE1.....	225	--UB--12AA-002--EE.....	206
--KK--71EW-229--S.....	48	--OP--12AS-018--EE.....	191	--P-802--0014EE1.....	225	--UB--12AA-008--E.....	206
--KK--71EW-259--S.....	48	--OP--12AS-018--EE.....	191	--P-809MH1015--EE.....	227	--UB--12AA-009--EE.....	206
--KK--82TA-002--C.....	121	--OP--12AS-019--EE.....	191	--P-809MH1017--EE.....	227	--UB--12BA-001--EE.....	207
--LA--01AA-023--S.....	91	--OP--12AS-020--EE.....	191	--P-809MH1022--EE.....	227	--UB--12BA-002--EE.....	207
--LA--01AA-025--S.....	91	--OP--12AS-021--EE.....	191	--P-809MH1027--EE.....	227	--UB--12BB-001--EE.....	207
--LA--01AB-026--S.....	91	OP12CA021EE.....	151	--P-809MH1034--EE.....	227	--UB--12BD-003--EE.....	207
--LA--01AB-200--S.....	91	OP12CA023EE.....	151	--P-809MH1042--EE.....	227	--UC--12AA-001--EE.....	205
--LA--01AB-201--S.....	91	--OP--12CA-030--EE.....	151	--P-809MH1054--EE.....	227	--UC--12AA-002--EE.....	205
--LA--01AD-028--S.....	91	OP12CA036EE.....	153	--P-903AR30020-EE.....	229	--UC--12AA-003--EE.....	205
--LA--01AD-032--S.....	91	--OP--12DA-039--EE.....	191	--P-903EAL32-20EE.....	229	--UC--12AA-004--EE.....	205
--LA--01AD-039--S.....	91	--OP--12DA-039--EE.....	197	--P-903EAL32-5EE.....	229	--UC--12AA-005--EE.....	205
--LA--01EA-030--C.....	91	--OP--12DA-040--EE.....	191	--P-903EST68-20TL.....	229	--UC--12AA-007--EE.....	205
--LA--01EW-032--C.....	91	--OP--12DA-040--EE.....	197	--P-903EST68-5TL.....	229	--UC--12AA-008--EE.....	205
--LA--01LA-024--C.....	91	--OP--12DA-057--EE.....	192	--P-903SW-100-5EE.....	229	--UC--12AA-009--EE.....	205
--LA--01LA-030--C.....	92	--OP--12DA-057--EE.....	197	--P-903SW-100--EE.....	229	--UC--12AA-012--EE.....	205
--LA--01LA-035--C.....	91	--OP--12KA-008--EE.....	191	--P-903SW220-20TTL.....	229	--UC--12AA-013--EE.....	205
--LA--04AA-299--C.....	91	--OP--12KA-009--EE.....	190	--P-903SW220-5TTL.....	229	--UC--12AA-014--EE.....	205
--LA--04AA-330--S.....	91	--OP--12KA-010--EE.....	191	--PA--1--001--EE.....	246	--UC--12AA-015--EE.....	205
--LA--12AA-001--EE.....	92	--OP--12OB-002--EE.....	185	--PH--12PB-001--EE.....	246	--UC--12AA-019--EE.....	205
--LA--12AA-004--EE.....	92	OP12OB004EE.....	185	--PH--12PE-001--EE.....	246	--UC--12AA-020--EE.....	205
--LA--12AA-006--EE.....	92	--P-167--0001--S.....	246	--PH--12PF-001--EE.....	246	--UC--12BB-001--EE.....	205
--LA--12AA-007--EE.....	92	--P-167--0017--S.....	246	--PH--12PG-001--EE.....	246	--UC--12BB-002--EE.....	205
--LA--12AA-008--EE.....	92	--P-291--0304--S.....	182	--PH--12PJ-001--EE.....	246	--UC--12BB-003--EE.....	205
--LA--12LA-002--EE.....	92	--P-291--0404--S.....	182	--PH--23GH-017--S.....	246	--UC--12BB-004--EE.....	205
--LA--12LA-003--EE.....	92	--P-291--0503R-S.....	182	--PH--23GH-020--S.....	246	--UC--12BB-005--EE.....	205
--LA--12LA-016--EE.....	92	--P-291--0504--S.....	182	--PH--23GL-012--S.....	246	--UC--12BB-006--EE.....	205
LA1KN11.....	160	--P-291--0753--S.....	182	--PH--23PE-023--S.....	246	--UD--12AA-003--EE.....	208
LC1D12B7.....	156	--P-291--0754--S.....	182	PMF1000ALVCoS6-35S.....	182	--UG--12AA-001--EE.....	210
LC1D18B7.....	156	--P-291--1003--S.....	182	PMF630ALVCoS635SM8.....	182	--UG--12AA-002--EE.....	210
LC1D25B7.....	156	--P-291--1004--S.....	182	RL32-3MAF-1TTL.....	228	--UG--12AA-003--EE.....	210
LC1K0601B7.....	156	--P-291--1503--S.....	182	RL32-3MAF-5TTL.....	228	--UG--12AA-004--EE.....	210
LC1K0610B7.....	156	--P-291--2503--S.....	182	SM185S4RA.....	17	--UG--12AA-005--EE.....	210
LC1K09004B7.....	156	--P-291--2504--S.....	182	SM185S4RA.....	18	--UG--12AA-006--EE.....	210
LC1K0901B7.....	156	--P-291--2553--S.....	182	SM230A.....	187	--UG--12AA-007--EE.....	210
LC1K0910B7.....	156	--P-291--3553--S.....	182	SM230ASR.....	187	--UG--12AA-008--EE.....	210
LF230.....	188	--P-502--8032--S.....	131	SM24A.....	187	--UG--12AA-009--EE.....	210
LF230-S.....	188	--P-502--8082S-S.....	131	SM24A-SR.....	187	--UG--12AA-010--EE.....	210
LF24.....	188	--P-502--8083S-S.....	131	T300912600.....	135	--UG--12AA-011--EE.....	210
LF24-S.....	188	--P-502--8084S-S.....	131	T300912620.....	135	--UG--12AA-012--EE.....	210
LF24-SR.....	188	--P-502--8165--S.....	131	T302916500.....	135	--UG--12AA-013--EE.....	210
--LL--01SB-040--EE.....	115	--P-502--8165S-S.....	131	--T6375-C1029---E.....	151	--UG--12AA-014--EE.....	210

In consequence of standards and material evolution, the specifications published on this catalogue are indicative only and commits us only after confirmation by our services. Photos for illustration only





--UL--12EA-004--EE .....	216	--XA--12BM-151--EE .....	66	--XM--12YC-024--EE .....	34
--UL--12EA-006--EE .....	216	--XA--12CA-034--EE .....	69	--XM--12YC-024--EE .....	41
--UL--12EA-008--EE .....	216	--XA--12CA-039--EE .....	69	--XM--12ZA-115--EE .....	34
--UL--12EA-009--E .....	216	--XA--12DF-009--EE .....	67	--XM--12ZA-115--EE .....	41
--UL--12EA-011--EE .....	216	--XA--12DF-010--EE .....	67	--XM--12ZA-230--EE .....	34
--UL--12EA-012--EE .....	216	--XA--12DF-014--EE .....	67	--XS--12AB-001--EE .....	126
--UL--12EA-014--EE .....	216	--XA--12DF-015--EE .....	67	--XS--12AB-003--EE .....	126
--UL--12EA-016--EE .....	216	--XA--12DF-016--EE .....	67	--XS--12AB-005--EE .....	126
--UL--12EA-017--EE .....	216	--XA--12DM-016--EE .....	67	--XS--12AB-006--EE .....	126
--UL--12EA-018--EE .....	216	--XA--12DM-017--E .....	67	--XS--12AD-001--EE .....	125
--UL--12EA-019--EE .....	216	--XA--12DN-013--EE .....	69	--XS--12AD-002--EE .....	125
--UL--12FA-001--EE .....	214	--XA--12DN-016--EE .....	69	--XS--12AD-003--EE .....	125
--UL--12FA-002--EE .....	214	--XA--12DN-017--EE .....	69	--XS--12AD-004--EE .....	125
--UL--12FA-003--EE .....	214	--XA--12HA-002--EE .....	66	--XS--12AD-005--EE .....	125
--UL--12FA-004--EE .....	214	--XA--12HA-002--EE .....	66	--XS--12CA-001--EE .....	125
--UL--12FA-005--EE .....	214	--XA--12HA-004--EE .....	66	--XS--12CA-002--EE .....	125
--UL--12FA-006--EE .....	214	--XA--12HA-004--EE .....	66	--XS--12CA-003--EE .....	125
--UL--12FA-007--EE .....	214	--XA--12HA-007--EE .....	66	--XW--12DA-024--EE .....	127
--UL--12FA-008--EE .....	214	--XA--12HA-007--EE .....	66	--XW--12DA-028--EE .....	127
--UL--12FA-009--EE .....	214	--XA--12HA-017--EE .....	66	--XW--12EA-001--EE .....	133
--UL--12FA-010--EE .....	214	--XA--12HA-017--EE .....	66	--XW--12EA-002--EE .....	133
--UL--12FA-011--E .....	214	--XF--12DA-005--E .....	136	--XW--12EA-003--EE .....	133
--UL--12FA-012--EE .....	214	--XH--12AB-012--EE .....	112	--XW--12EA-004--EE .....	133
--UM--12AP-013--EE .....	110	--XH--12AB-013--EE .....	112	--XW--12EA-005--EE .....	133
--UM--12AQ-014--E .....	110	--XH--12AB-014--E .....	112	--XW--12EA-006--EE .....	134
--UM--12AQ-019--EE .....	110	--XH--12AB-015--E .....	112	--XW--12EA-007--EE .....	134
--UM--12AQ-020--EE .....	110	--XL--12AA-001--EE .....	34	--XW--12EA-008--EE .....	133
--UM--12AQ-021--EE .....	110	--XL--12AA-001--EE .....	41	--XW--12EA-009--EE .....	133
--UM--12AQ-023--EE .....	110	--XL--12AA-001--EE .....	82	--XW--12EA-010--EE .....	133
--UM--12AQ-025--EE .....	110	--XL--12AA-002--EE .....	82	--XW--12EA-011--EE .....	133
--UM--12AQ-030--EE .....	110	--XL--12AA-003--EE .....	82	--XW--12EA-015--EE .....	133
--UM--12AQ-032--EE .....	110	--XL--12AA-004--EE .....	82	--XW--12EA-020--EE .....	132
--UM--12AQ-045--EE .....	110	--XL--12AA-007--EE .....	82	--XW--12EA-022--EE .....	132
--UM--12AQ-047--EE .....	110	--XL--12AA-008--EE .....	82	--XW--12GB-002--EE .....	128
--UM--12LA-020--EE .....	110	--XL--12AA-009--EE .....	82	--XW--12GB-003--EE .....	128
--UM--12LA-025--E .....	110	--XL--12AF-002--EE .....	74	--XW--12GB-006--EE .....	128
--UM--12LA-029--EE .....	110	--XL--12AJ-001--EE .....	71	--XW--12GB-008--EE .....	128
--UM--12LA-040--E .....	110	--XL--12AJ-003--EE .....	71	--XW--12GB-010--EE .....	128
--UM--12LA-047--EE .....	110	--XL--12AJ-004--EE .....	71	--XW--12GB-016--EE .....	128
--VA--12AA-002--EE .....	144	--XL--12AL-002--EE .....	81	--XW--12GG-002--EE .....	128
--VA--12AA-003--EE .....	144	--XL--12AL-003--EE .....	81	--XW--12GG-002--EE .....	130
--VA--12BF-005--EE .....	144	--XL--12AL-004--EE .....	81	--XW--12GG-003--EE .....	128
--VA--12BF-006--EE .....	144	--XL--12AL-005--EE .....	81	--XW--12GG-003--EE .....	130
--VA--12BF-008--EE .....	144	--XL--12AU-045--EE .....	83	--XW--12GG-004--EE .....	128
W2344FTG .....	215	--XL--12AU-046--EE .....	83	--XW--12GG-004--EE .....	130
--WA--12BB-002--EE .....	144	--XL--12AU-047--EE .....	83	--XW--12MA-002--EE .....	127
--WA--12BB-003--EE .....	144	--XL--12AU-048--EE .....	83	--XW--12MA-006--EE .....	127
--WA--12KN-011--EE .....	144	--XL--12AU-049--EE .....	83	--XW--12PA-001--EE .....	111
--WG--12KA-002--EE .....	190	--XL--12AU-050--EE .....	83	--XW--12PA-002--EE .....	111
--WG--12KA-003--EE .....	190	--XL--12AU-051--EE .....	81	--XW--12PA-003--EE .....	111
--WG--12RA-001--EE .....	41	--XL--12CA-003--EE .....	77	--XW--12PA-004--EE .....	111
--WG--12RA-005--EE .....	152	--XL--12CA-004--EE .....	77	--XW--12PA-005--EE .....	111
--WM--12FA-006--EE .....	41	--XL--12CA-010--EE .....	77	--XW--12PA-006--EE .....	111
--WM--12FA-017--EE .....	41	--XL--12EJ-001--EE .....	71	ZR94KCETFD-522 .....	21
--WM--12FA-018--EE .....	34	--XL--12EJ-003--EE .....	71	ZR94KCETFD-522 .....	22
--WM--12FA-018--EE .....	41	--XL--12EJ-005--EE .....	71		
--WM--12FA-020--EE .....	41	--XL--12EJ-008--E .....	71		
--WM--12GA-001--EE .....	123	--XL--12EJ-009--E .....	71		
--WM--12GB-003--EE .....	124	--XL--12EJ-010--E .....	71		
--WM--12GC-001--EE .....	123	--XL--12EJ-012--EE .....	71		
--WM--12GD-001--EE .....	123	--XL--12FA-035--EE .....	74		
--WM--12GF-002--EE .....	123	XL12FA038EE .....	74		
--XA--12AB-015--EE .....	65	--XL--12FA-047--EE .....	74		
--XA--12AB-019--EE .....	65	--XL--12FA-049--EE .....	74		
--XA--12AB-022--E .....	65	--XL--12GE-001--EE .....	111		
--XA--12AB-026--EE .....	65	--XL--12HA-015--EE .....	108		
--XA--12AB-035--EE .....	65	--XL--12HA-016--EE .....	108		
--XA--12AB-036--EE .....	65	--XL--12QA-002--EE .....	71		
--XA--12AB-044--EE .....	65	--XL--12QA-003--EE .....	71		
--XA--12AB-056--EE .....	65	--XM--12AH-012--EE .....	79		
--XA--12AB-057--EE .....	65	--XM--12BE-009--EE .....	78		
--XA--12AB-076--EE .....	65	--XM--12BE-016--E .....	78		
--XA--12AB1001--EE .....	65	--XM--12BH-002--EE .....	78		
--XA--12AN-003--EE .....	65	--XM--12BH-003--EE .....	78		
--XA--12BM-050--EE .....	66	--XM--12BH-005--EE .....	78		
--XA--12BM-060--E .....	66	--XM--12BH-006--EE .....	78		
--XA--12BM-070--EE .....	66	--XM--12BH-007--EE .....	78		
--XA--12BM-090--EE .....	66	--XM--12BH-008--EE .....	78		
--XA--12BM-100--EE .....	66	--XM--12BH-009--EE .....	78		
--XA--12BM-101--EE .....	66	--XM--12BH-010--EE .....	78		
--XA--12BM-111--EE .....	66	--XM--12EB-231--EE .....	79		
--XA--12BM-121--EE .....	66	--XM--12EB-331--EE .....	79		
--XA--12BM-131--EE .....	66	--XM--12EB-350--EE .....	79		

In consequence of standards and material evolution, the specifications published on this catalogue are indicative only and commits us only after confirmation by our services. Photos for illustration only





# EMEA REPLACEMENT COMPONENTS DIVISION



Headquarters:

**Carrier SCS**  
**EMEA Replacement Components Division**  
**Route de Thil - 01120 Montluel**

 [www.carrier-ercd.com](http://www.carrier-ercd.com)